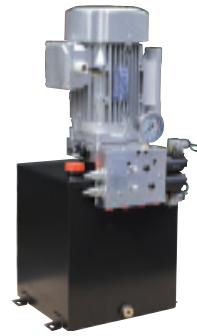


大剪升降机用动力单元 3

POWER UNITS FOR DOUBLE-SCISSORS LIFT 3

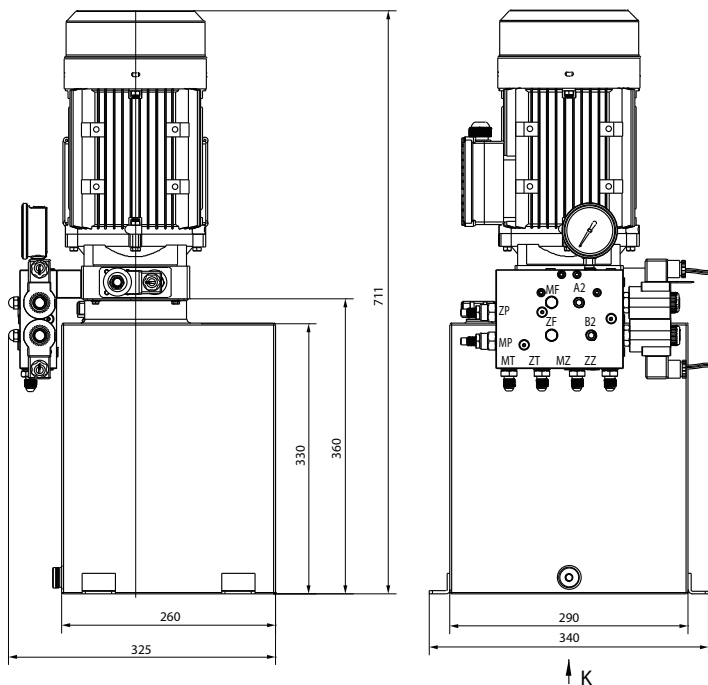


简介 General Description

此液压动力单元采用零泄漏双向止回阀实现两条油路的完全隔离，使得两条油路的上升和下降动作互不干扰，是多缸单独升降系统的理想液压源；结构中的四个截止阀用于系统电故障时，安全实现应急回油。该系列动力单元广泛应用于大剪升降机。

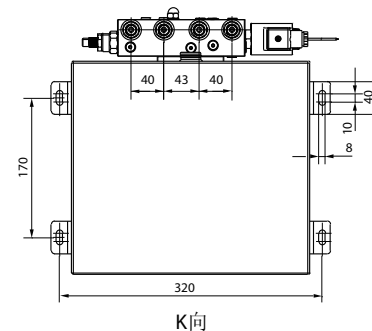
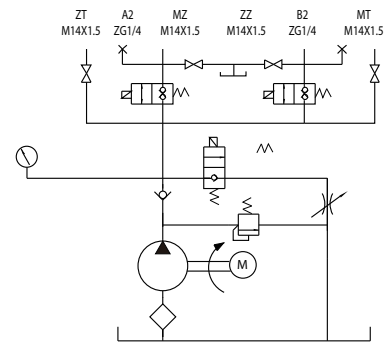
Equipped with the zero leakage double-check solenoid valves, this power unit fulfils the complete separation of the two independent circuits, which are respectively for the main platform and subordinate platform of the double scissors lift. Four cut-off valves are used for emergency oil return in case of power failure. By increasing the number of the solenoid valves, it is easy to get more independent circuits and to control the corresponding cylinders.

外形尺寸图 Outline Dimension



系统工作原理

Hydraulic Circuit Diagram



型号规格说明 Model Specifications

Model 型号	Motor Volt 电机电压	Motor power 电机功率	Rated Speed 名义转速	Displacement 油泵排量	System pressure 溢流阀压力	Tank Capacity 油箱容量
YBZ5-G2.1J3H30E/MCDEN2	220V	2.2KW	2800rpm	2.1ml/r	25MPa	25L
YBZ5-G2.5J4H30E/MCDEN2	380V	2.2KW	2800rpm	2.5ml/r	25MPa	25L

说明：如需不同流量的泵、压力、电机功率等系统参数，请查看液压动力单元型号说明。

Remark: Please go to page 38 or consult our sales engineer for the different pump displacement, motor power or tank capacity.

注意事项 Special Notes

1. 此动力单元为不可连续运转（1分钟ON，9分钟OFF），可重复工作。
2. 安装前必须保证油缸、油管、接头等液压元件清洁无任何杂质粘附。
3. 液压油粘度应为15~68CST，应清洁无杂质，推荐使用N46号液压油。
4. 本液压动力单元适用于立式安装。
5. 首次启动运行系统后，应立即检查油箱中的油量是否充足。
6. 系统使用第一个100小时后，应更换液压油，以后每3000小时更换一次液压油。

1. The power unit is of S3 duty, which can only work intermittently and repeatedly, i.e., 1 minute on and 9 minutes off.
2. Clean all the hydraulic parts concerned before mounting the power unit.
3. Viscosity of the hydraulic oil should be 15~68 cst, which should also be clean and free of impurities. N46 hydraulic oil is recommended.
4. This power unit should be mounted vertically.
5. Check the oil level in the tank after the initial operation of the power unit.
6. Oil changing is required after the initial 100 operation hours, afterwards once every 3000 hours.