

Welcome To **BUCHER**  
hydraulics

### POWER UNITS

Our quality: We always adhere to the implementation of ISO9001 quality management system and continuously strengthen and improve internal management, as well as providing our customers with best quality products. Quality and service is our sincere commitment.



Search:

Position: Index >> Products

**Gear Pumps and Gear Motors**      **Power Units**      **Hydraulic Valves**      **Accessories**

Fork Lift Power Units 2

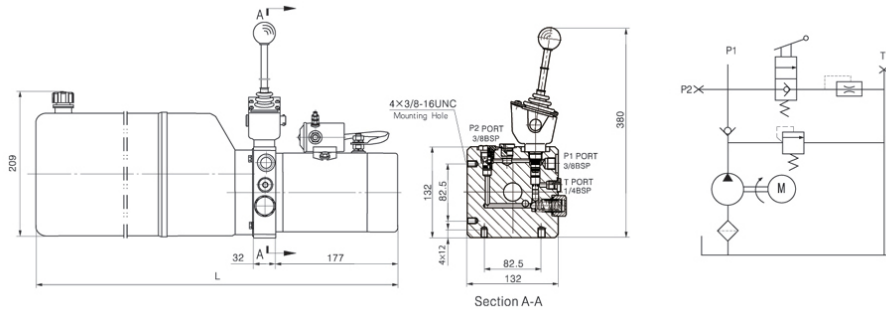
## Fork Lift Power Units 2

**General Description:**



This power unit is designed exclusively for the fork lift, consisting of high pressure gear pump, DC motor, multi-functional manifold, valves, tank, ect. The up and down movement are controlled by the level of the manual release valve, which is equipped with an electric switch for the motor start. The lowering speed is automatically adjusted by the pressure compensated flow control valve.

**Outline Dimension**



**Model Specifications**

Model	Motor Volt	Motor power	Rated Speed	Displacement	System pressure	Tank Capacity	L
YBZ5-F1.2A1W1/WUAZD1	12VDC	1.5KW	2500 RPM	1.2mL/r	20MPa	3.5L	409mm
YBZ5-F1.6B1W1/WUAZD1				1.6mL/r		5L	459mm
YBZ5-F2.1B1W1/WUAZD1				2.1mL/r		5L	459mm
YBZ5-F2.1B2A1/WUAZD1	24VDC	2KW		2.1mL/r		6L	509mm
YBZ5-F2.5C2A1/WUAZD1				2.5mL/r		8L	579mm
YBZ5-F2.7C2A1/WUAZD1				2.7mL/r		8L	579mm

Remark: Please go to page 38 or consult our sales engineer for the different pump displacement, motor power or tank capacity.

**Special notes**

- The duty of this power unit is S3, i.e., 30 seconds on and 270 seconds off.
- Clean all the hydraulic parts concerned before mounting the power unit.
- Viscosity of the hydraulic oil should be 15-68 cst, which should also be clean and free of impurities. N46 hydraulic oil is recommended.
- Oil changing is required after the initial 100 operation hours, afterwards once every 3000 hours.
- The power unit should be mounted horizontally.



OIL SOLUTIONS

**PO Box 38**  
**Strathfieldsaye, VIC, 3551**  
**1800 OIL SOL**  
**1800 645 765**  
**[sales@oilsolutions.com.au](mailto:sales@oilsolutions.com.au)**  
**[www.oilsolutions.com.au](http://www.oilsolutions.com.au)**  
"For All Your Hydraulic Needs"

Copyright: Bucher Hydraulics (Wuxi)Co.,Ltd. 编号: 苏ICP备18069474号-1