

Welcome To **BUCHER**
hydraulics

POWER UNITS

Our quality: We always adhere to the implementation of ISO9001 quality management system and continuously strengthen and improve internal management, as well as providing our customers with best quality products. Quality and service is our sincere commitment.



Search:

Position: Index >> Products

Gear Pumps and Gear Motors **Power Units** **Hydraulic Valves** **Accessories**

Fork Lift Power Units 5

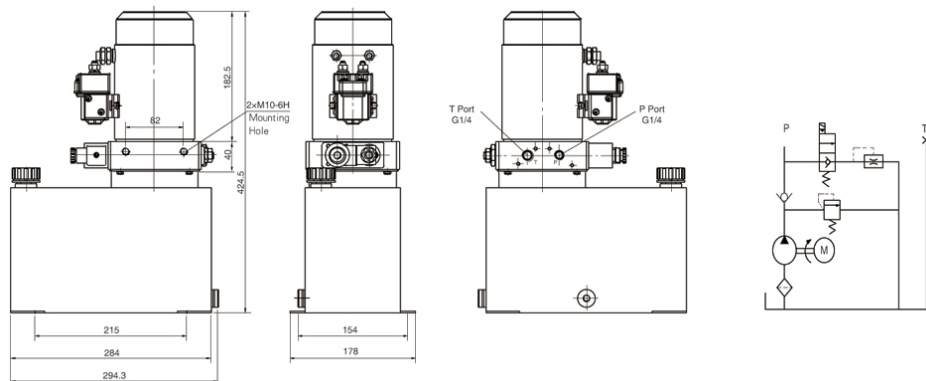
Fork Lift Power Units 5

General Description



Equipped with a high pressure gear pump, a DC motor, a multi-functional manifold, valves and a tank, ect. This power unit features power up gravity down actions. Start the motor to lift the machine and the lowering movement is activated by the solenoid valve with the lowering speed controlled by the pressure compensated flow control valve. The products are widely used in the industry of logistic devices such as fork lift, mini lift table etc.

Outline Dimension



Model Specifications

Model	Motor Volt	Motor power	Rated Speed	Displacement	System pressure	Tank Capacity
YBZ5-F1.2B1W2/WUDAN1	12VDC	1.5KW	2500rpm	1.2mL/r	20MPa	6L
YBZ5-F1.6B1W2/WUDAN1				1.6mL/r		
YBZ5-F2.7B2A2/WUDBN1	24VDC	2.2KW		2.7mL/r		
YBZ5-F2.5B2A2/WUDBN1				2.5mL/r		

Remark: 1. Please go to page 38 or consult our sales engineer for the different pump displacement, motor power or tank capacity.

2. The manual override function is available on request.

Special Notes

- The duty of this power unit is S3, i.e., 30 seconds on and 270 seconds off.
- Clean all the hydraulic parts concerned before mounting the power unit.
- Viscosity of the hydraulic oil should be 15-68 cst, which should also be clean and free of impurities. N46 hydraulic oil is recommended.



OIL SOLUTIONS

PO Box 38
Strathfieldsaye, VIC, 3551
1800 OIL SOL
1800 645 765
sales@oilsolutions.com.au
www.oilsolutions.com.au
"For All Your Hydraulic Needs"

4. Check the oil level in the tank after the initial operation of the power unit.

Copyright: Bucher Hydraulics (Wuxi) Co., Ltd. 编号: 苏ICP备18069474号-1