

堆高车动力单元 3 FORK LIFT POWER UNITS 3

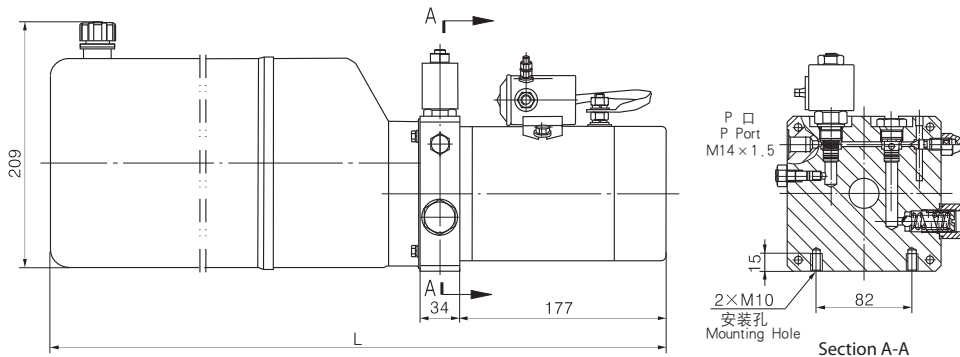
简介 General Description

此液压动力单元由高压齿轮油泵、直流电机、多用集成块、液压阀、油箱等零部件有机结合为一体，广泛应用于堆高车、升降平台。电磁卸荷阀卸荷实现回油，下降速度由可调节流阀控制，备用手动卸荷阀用于停电时下降。

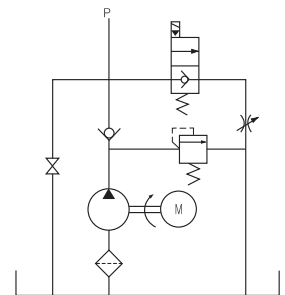
Consisting of high pressure gear pump, DC motor, multi-functional manifold, valves and tank, this power unit has been widely used in the industry of logistic devices such as fork lift, mini lift table and scissors lift. The lowering movement is controlled by the solenoid valve with the lower speed controlled by adjustable throttle valve. The needle release valve is used for lowering movement in case of power failure.



外形尺寸图 Outline Dimension



系统工作原理 Hydraulic Circuit Diagram



型号规格说明 Model Specifications

Model 型号	Motor Volt 电机电压	Motor power 电机功率	Rated Speed 名义转速	Displacement 油泵排量	System pressure 溢流阀压力	Tank Capacity 油箱容量	L
YBZ-F1.2A1W2/WUAAG1	12VDC	1.5KW	2500 RPM	1.2mL/r	20MPa	3.5L	411mm
YBZ-F1.6B1W2/WUAAG1				1.6mL/r		5L	461mm
YBZ-F2.1B1W2/WUAAG1				2.1mL/r		5L	461mm
YBZ-F2.1B2A2/WUABG1	24VDC	2KW		2.1mL/r		6L	511mm
YBZ-F2.5C2A2/WUABG1				2.5mL/r		8L	581mm
YBZ-F2.7C2A2/WUABG1				2.7mL/r		8L	581mm

说明: 1. 如需不同流量的泵、压力、电机功率等系统参数, 请查看液压动力单元型号说明。 2. 如需手动应急放油装置, 请在订货时说明。
Remark: 1. Please go to page 38 or consult our sales engineer for the different pump displacement, motor power or tank capacity.
2. The manual override function is available on request.

注意事项 Special Notes

1. 此动力单元为 S3 工作制, 不可连续运转, 30 秒开、270 秒停。
2. 按装前必须保证油缸、油管、接头等液压元件清洁无任何杂质粘附。
3. 液压油粘度应为 15 ~ 68CST, 应清洁无杂质, 推荐使用 N46 号液压油。
4. 系统使用第一个 100 小时后, 应更换液压油, 以后每 3000 小时更换一次液压油。
5. 本液压动力单元适用于水平安装。

1. The duty of this power unit is S3, i.e., 30 seconds on and 270 seconds off.
2. Clean all the hydraulic parts concerned before mounting the power unit.
3. Viscosity of the hydraulic oil should be 15-68 cst, which should also be clean and free of impurities. N46 hydraulic oil is recommended.
4. Oil changing is required after the initial 100 operation hours, afterwards once every 3000 hours.
5. The power unit should be mounted horizontally.