

Welcome To **BUCHER**
hydraulics

POWER UNITS

Our quality: We always adhere to the implementation of ISO9001 quality management system and continuously strengthen and improve internal management, as well as providing our customers with best quality products. Quality and service is our sincere commitment.



Search:

Position: Index >> Products

Gear Pumps and Gear Motors **Power Units** **Hydraulic Valves** **Accessories**

Lift Table Power Units 6

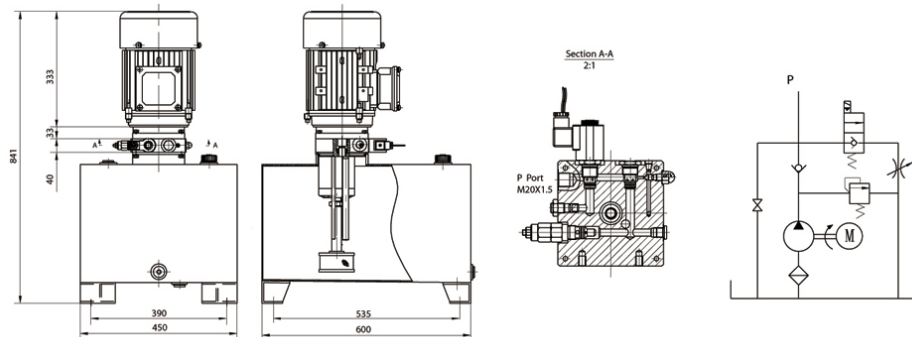
Lift Table Power Units 6

General Description



This power unit is designed exclusively for the mini-lift table. Consisting of high pressure gear pump, AC motor, multi-functional manifold, valves, tank, ect. The lowering movement is activated by the solenoid valve and the speed controlled by the balance valve.

Outline Dimension



Model Specifications

Model	Motor Volt	Motor power	Rated Speed	Displacement	System pressure	Tank Capacity
LPU-E15P4J2/JKDBZ1	220VAC	3.7KW	1750 RPM	15ml/r	16MPa	60/80/100L
LPU-E15P4K2/TBDBZ1	380VAC	5.5KW	1450 RPM	15ml/r	16MPa	
LPU-E23P4K2/TBDBZ1				23ml/r	14MPa	
LPU-D28P4K2/TBDBZ1				28ml/r	MPa	

Remark: Please go to page 38 or consult our sales engineer for the different pump displacement, motor power or tank capacity.

Special Notes

- 1.The power unit is of S3 duty, which can only work intermittently and repeatedly, i.e., 1minute on and 9 minutes off.
- 2.Clean all the hydraulic parts concerned before mounting the power unit
- 3.The viscosity of the oil should be 15-68 cst, and the oil should be clean and free of impurities, N46 recommended hydraulic oil.
- 4.Change the oil after the first 100 hours of using the power unit, then change the oil every 3000 hours.
- 5.The power unit should be mounted horizontally.

Copyright: Bucher Hydraulics (Wuxi)Co.,Ltd. 编号: 苏ICP备18069474号-1