

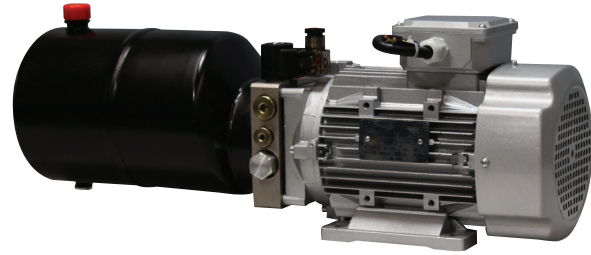
# 升降平台动力单元 3

## LIFT TABLE POWER UNITS 3

### 简介 General Description

此液压力单元专为中、小型升降平台设计, 由高压齿轮油泵、交流电机、多用集成块、液压阀、油箱等零部件有机结合为一体。升降平台的下降由电磁卸荷阀控制, 下降速度由内置平衡阀控制。

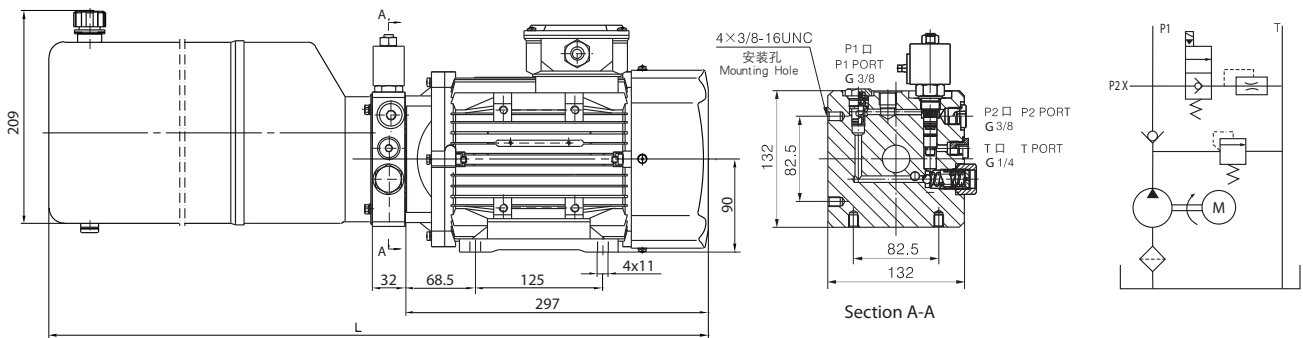
This power unit is designed exclusively for small and medium lift table, which consists of high pressure gear pump, AC motor, multi-functional manifold, valves, tank, etc. The lowering movement is activated by the solenoid valve with the speed controlled by the balance valve.



### 外形尺寸图 Outline Dimension

### 系统工作原理

### Hydraulic Circuit Diagram



### 型号规格说明 Model Specifications

Model 型号	Motor Volt 电机电压	Motor power 电机功率	Rated Speed 名义转速	Displacement 油泵排量	System pressure 溢流阀压力	Tank Capacity 油箱容量	L(mm)
YBZ-F1.6B3G2/LCABD1	220VAC	1.5KW	2800 RPM	1.6mL/r	20MPa	6L	629
YBZ-E2.1B3G2/LCAED1				2.1mL/r	16MPa	6L	629
YBZ-D2.5C3G2/LCAED1				2.5mL/r	12MPa	8L	699
YBZ-F2.1C4H2/LCAED1	2.1mL/r	20MPa		8L			
YBZ-E2.5D4H2/LCABD1	380VAC	2.2KW		2.5mL/r	16MPa	10L	769
YBZ-E2.7E4H2/LCAED1				2.7mL/r	15MPa	12L	869

说明: 1. 如需不同流量的泵、压力、电机功率等系统参数, 请查看液压力单元型号说明。  
2. 如需手动应急放油装置, 请在订货时说明。  
3. 如需订购 CSA 或 UL 认证, 60HZ 的动力单元, 请在订购时说明。

Remark: 1. Please go to page 38 or consult our sales engineer for the different pump displacement, motor power or tank capacity.  
2. The manual override function is available on request.  
3. 60HZ motors with CSA or UL certification are available upon request.

### 注意事项 Special Notes

1. 此动力单元不可连续运转 (1 分钟 ON, 9 分钟 OFF), 可重复工作。
2. 按装前必须保证油缸、油管、接头等液压元件清洁无任何杂质粘附。
3. 液压油粘度应为 15 ~ 68CST, 应清洁无杂质, 推荐使用 N46 号液压油。
4. 系统使用第一个 100 小时后, 应更换液压油, 以后每 3000 小时更换一次液压油。
5. 本液压力单元适用于水平安装。

1. The power unit is of S3 duty, which can only be worked intermittently, ie., 1minute on and 9 minutes off.
2. Clean all the hydraulic parts concerned before mounting the power unit
3. Viscosity of the hydraulic oil should be 15-68 cst, which should also be clean and free of impurities. N46 hydraulic oil is recommended.
4. Oil changing is required after the initial 100 operation hours, afterwards once every 3000 hours.
5. The power unit should be mounted horizontally.