

# 升降平台动力单元6

## LIFT TABLE POWER UNITS 6

### 简介 General Description

此液压动力单元专为中、小型升降平台设计，由高齿轮油泵、交流电机、多用集成块、液压阀、油箱等零部件有机结合为一体。升降平台的下降由电磁卸荷阀控制，下降速度由内置平衡阀控制。

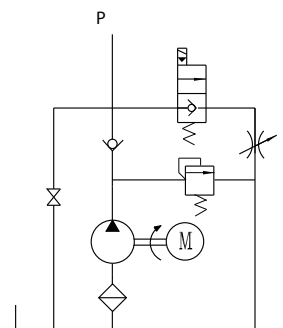
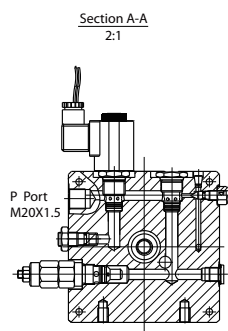
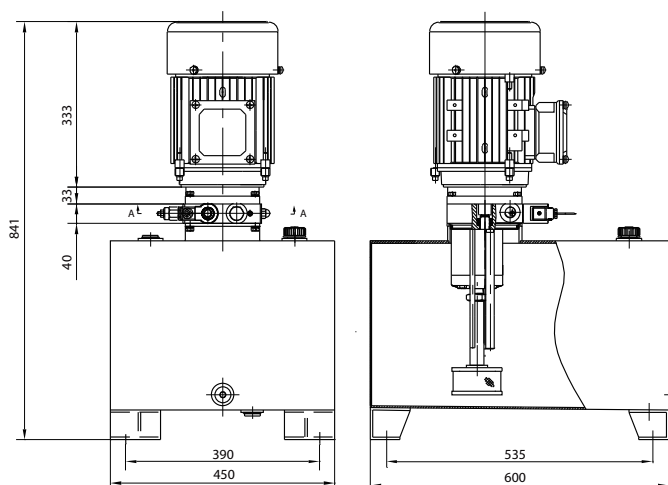
This power unit is designed exclusively for the mini-lift table. Consisting of high pressure gear pump, AC motor, multi-functional manifold, valves, tank, ect. The lowering movement is activated by the solenoid valve and the speed controlled by the balance valve.



### 外形尺寸图 Outline Dimension

### 系统工作原理

#### Hydraulic Circuit Diagram



### 型号规格说明 Model Specifications

Model 型号	Motor Volt 电机电压	Motor power 电机功率	Rated Speed 名义转速	Displacement 油泵排量	System pressure 溢流阀压力	Tank Capacity 油箱容量
LPU-E15P4J2/JKDBZ1	220VAC	3.7KW	1750 RPM	15ml/r	16MPa	60/80/100L
LPU-E15P4K2/TBDBZ1	380VAC	5.5KW	1450 RPM	15ml/r	16MPa	
LPU-E23P4K2/TBDBZ1				23ml/r	14MPa	
LPU-D28P4K2/TBDBZ1				28ml/r	12MPa	

说明：如需不同流量的泵、压力、电机功率等系统参数，请与销售联系。

Remark: Please go to page 38 or consult our sales engineer for the different pump displacement, motor power or tank capacity.

### 注意事项 Special Notes

1. 此动力单元不可连续运转 (1 分钟 ON, 9 分钟 OFF), 可重复工作。
2. 安装前必须保证油缸、油管、接头等液压元件清洁无任何杂质粘附。
3. 液压油粘度应为 15 ~ 68CST, 应清洁无杂质, 推荐使用 N46 号液压油。
4. 系统使用第一个 100 小时后, 应更换液压油, 以后每 3000 小时更换一次液压油。
5. 本液压动力单元适用于立式安装。

1. The power unit is of S3 duty, which can only work intermittently and repeatedly, i.e., 1 minute on and 9 minutes off.
2. Clean all the hydraulic parts concerned before mounting the power unit.
3. The viscosity of the oil should be 15~68 cst, and the oil should be clean and free of impurities, N46 recommended hydraulic oil.
4. Change the oil after the first 100 hours of using the power unit, then change the oil every 3000 hours.
5. The power unit should be mounted vertically.