

Welcome To **BUCHER**
hydraulics

POWER UNITS

Our quality: We always adhere to the implementation of ISO9001 quality management system and continuously strengthen and improve internal management, as well as providing our customers with best quality products. Quality and service is our sincere commitment.



Search:

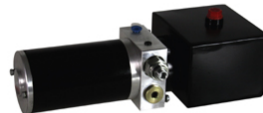
Position: Index >> Products

Gear Pumps and Gear Motors **Power Units** **Hydraulic Valves** **Accessories**

Mini Power Units Por Medical Care Equipment

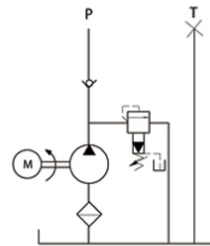
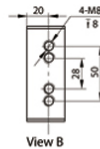
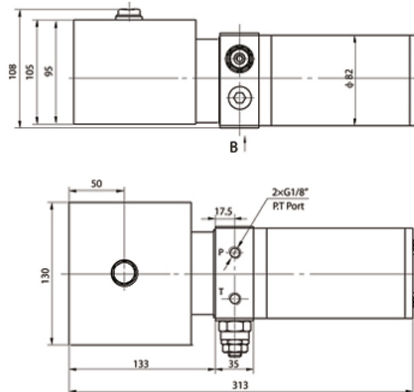
Mini Power Units Por Medical Care Equipment

General Description



Serving as the power source of operating table, this power unit is designed exclusively for lifting the electrical operating table in the application of medical care equipments, whose features are low noise, low current and small size. Furthermore, it is applicable to sickbed.

Outline Dimension



PO Box 38
Strathfieldsaye, VIC, 3551
1800 OIL SOL
1800 645 765
sales@oilsolutions.com.au
www.oilsolutions.com.au
"For All Your Hydraulic Needs"

Model Specifications

Model	Motor Volt	Rated Speed	Displacement	System pressure	Tank Capacity
YBZ-C0.32W2X0/UUCOTL1	24V	2000rpm	0.32mL/r	6.5MPa	1L
YBZ-D0.26W2X0/UUCQTL1			0.26mL/r	10MPa	

Remark: Please go to page 38 or consult our sales engineer for the different pump displacement, motor power or tank capacity.

Special Notes

- The duty of this power unit is S3, i.e., 30 seconds on and 270 seconds off.
- Clean all the hydraulic parts concerned before mounting the power unit.
- Viscosity of the oil should be 15-68 cst, and the oil should be clean and free of impurities, N46 hydraulic oil is recommended.
- This power unit should be mounted vertically.
- Check the oil level in the tank after the initial operation of the power unit.
- Oil changing is required after the initial 100 operation hours, afterwards once every 3000 hours.

Copyright: Bucher Hydraulics (Wuxi)Co.,Ltd. 编号: 苏ICP备18069474号-1