

托盘车动力单元 PALLET TRUCK POWER UNITS

简介 General Description

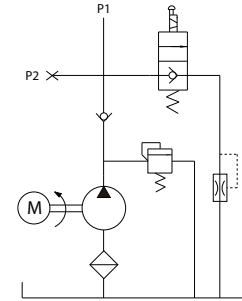
此液压微型动力单元由高齿轮油泵、低噪音直流电机、多用集成块、液压阀、油箱等零部件有机结合为一体。通常用作托盘车、轻型堆高车的动力源。电磁卸荷阀卸荷实现回油，下降速度由内置性平衡阀控制。

Consisting of high pressure gear pump, Low noise DC motor, multi-functional manifold, valves, tank, ect. This power unit can be widely used in the industry of logistic devices such as minifork lift ect. The lowering movement is controlled by the solenoid valve with the speed controlled by the balance valve.

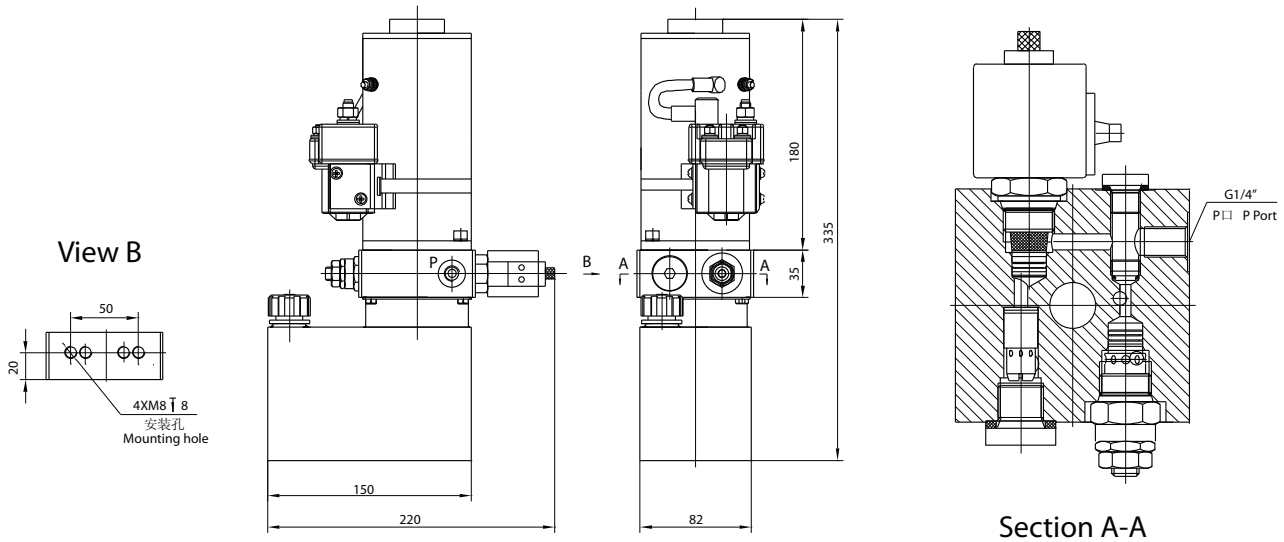


系统工作原理

Hydraulic Circuit Diagram



外形尺寸图 Outline Dimension



型号规格说明 Model Specifications

Model 型号	Motor Volt 电机电压	Motor power 电机功率	Rated Speed 名义转速	Displacement 油泵排量	System pressure 溢流阀压力	Tank Capacity 油箱容量	L(mm)
YBZ5-E0.5W1T2/VUSAP1	12VDC	0.8KW	3500rpm	0.5mL/r	16MPa	1L	307
YBZ5-E0.63W1T2/VUSAP1				0.63mL/r			
YBZ5-E0.5Y2T2/VUSBP1	24VDC			0.5mL/r	16.5MPa	1.5L	337
YBZ5-E0.63Y2T2/VUSBP1				0.63mL/r			
YBZ5-E0.75W2T2/VUSIP2				0.75ml/r		1L	335

说明: 1.如需不同流量的泵、压力、电机功率等系统参数, 请查看液动力单元型号说明。

2.如需手动应急放油装置, 请在订货时说明。

Remark: 1. Please go to page 38 or consult our sales engineer for the different pump displacement, motor power or tank capacity.

2. The manual override function is available on request.

注意事项 Special Notes

1. 此动力单元不可连续运转 (1 分钟 ON, 9 分钟 OFF), 可重复工作。
2. 按装前必须保证油缸、油管、接头等液压元件清洁无任何杂质粘附。
3. 液压油粘度应为 15 ~ 68CST, 应清洁无杂质, 推荐使用 N46 号液压油。
4. 本液动力单元适用于立式安装。
5. 首次启动运行系统后, 应立即检查油箱中的油量是否充足。
6. 系统使用第一个 100 小时后, 应更换液压油, 以后每 3000 小时更换一次液压油。

1. The power unit is of S3 duty, which can only work intermittently and repeatedly, i.e., 1 minute on and 9 minutes off.
2. Clean all the hydraulic parts concerned before mounting the power unit.
3. Viscosity of the hydraulic oil should be 15-68 cst, which should also be clean and free of impurities. N46 hydraulic oil is recommended.
4. This power unit should be mounted vertically.
5. Check the oil level in the tank after the first start of the power unit.
6. Oil changing is required after the initial 100 operation hours, afterwards once every 3000 hours.