

# 车用轮椅升降台动力单元

## WHEEL CHAIR POWER UNITS

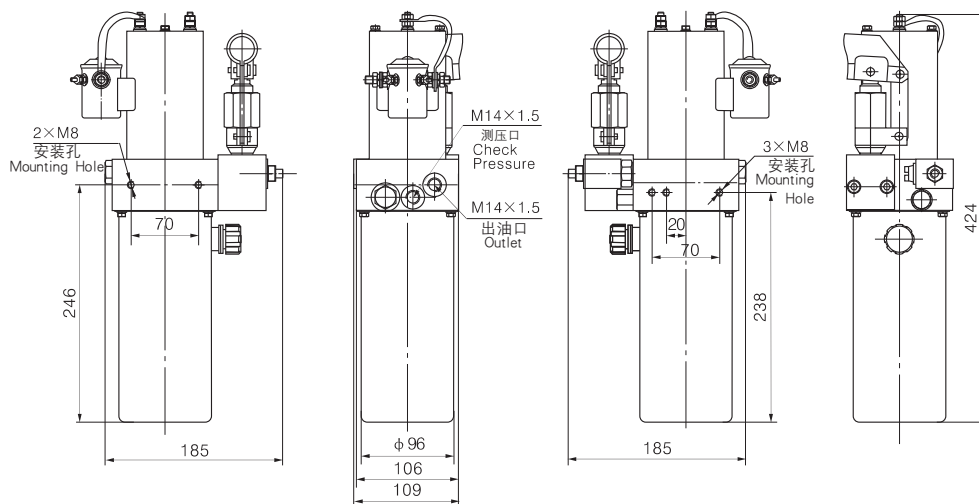
### 简介 General Description

此液压力单元专为残疾人车用轮椅升降台设计, 由高压齿轮油泵、直流电机、多用集成块、液压阀、油箱等零部件有机结合为一体。升降台可以电动控制上升也可以手动控制上升, 下降由电磁卸荷阀卸荷实现。

The power unit is designed exclusively for lifting the disabled people's wheelchair when they are getting in or off a certain type of vehicles. As a typical power up gravity down hydraulic system, It is composed of high pressure gear pump, hand pump, motor multi-functional manifold, valve, tank, etc. With the hand pump and the manual override release valve, the power unit can be operated even if no electrical power is available. The unloading valve enables the wheelchair to lower smoothly.

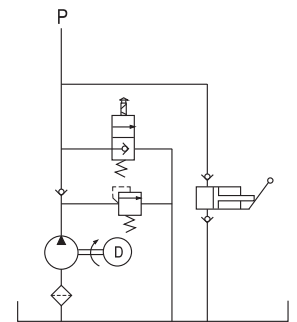


### 外形尺寸图 Outline Dimension



### 系统工作原理

#### Hydraulic Circuit Diagram



### 型号规格说明 Model Specifications

Model 型号	Motor Volt 电机电压	Motor power 电机功率	Rated Speed 名义转速	Displacement 油泵排量	System pressure 溢流阀压力	Tank Capacity 油箱容量
YBZ-D0.63S1T48/1	12VDC	0.8KW	3500rpm	0.63mL/r	12MPa	1.4L
YBZ-D0.8S1T48/1				0.8mL/r		
YBZ-D0.63S2T48/1	24VDC			0.63mL/r		
YBZ-D0.8S2T48/1				0.8mL/r		

说明: 如需不同流量的泵、压力、电机功率等系统参数, 请查看液压力单元型号说明。

Remark: Please go to page 38 or consult our sales engineer for the different pump displacement, motor power or tank capacity.

### 注意事项 Special Notes

1. 此动力单元为 S3 工作制, 不可连续运转, 30 秒开、270 秒停。
2. 按装前必须保证油缸、油管、接头等液压元件清洁无任何杂质粘附。
3. 液压油粘度应为 15 ~ 68CST, 应清洁无杂质, 推荐使用 N46 号液压油。
4. 本液压力单元适用于立式安装。
5. 首次启动运行系统后, 应立即检查油箱中的油量是否充足。
6. 系统使用第一个 100 小时后, 应更换液压油, 以后每 3000 小时更换一次液压油。

1. The duty of this power unit is S3, i.e., 30 seconds on and 270 seconds off.
2. Clean all the hydraulic parts concerned before mounting the power unit.
3. Viscosity of the hydraulic oil should be 15~68 cst, which should also be clean and free of impurities. N46 hydraulic oil is recommended.
4. This power unit should be mounted vertically.
5. Check the oil level in the tank after the first start of the power unit.
6. Oil changing is required after the initial 100 operation hours, afterwards once every 3000 hours.