

Welcome To **BUCHER** hydraulics

POWER UNITS

Our quality: We always adhere to the implementation of ISO9001 quality management system and continuously strengthen and improve internal management, as well as providing our customers with best quality products. Quality and service is our sincere commitment.



Search:

Position: Index >> Products

Gear Pumps and Gear Motors Power Units Hydraulic Valves Accessories

Wheel Chair Power Units

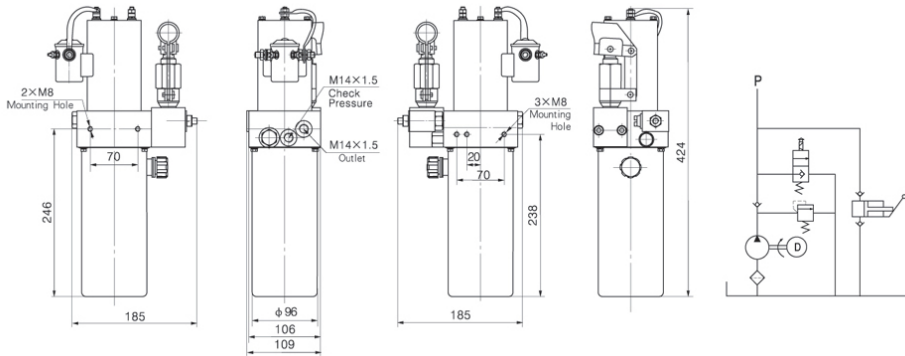
Wheel Chair Power Units

[General Description](#)



The power unit is designed exclusively for lifting the disabled people's wheelchair when they are getting in or off a certain type of vehicles. As a typical power up gravity down hydraulic system, It is composed of high pressure gear pump, hand pump, motor multi-functional manifold, valve, tank, etc. With the hand pump and the manual override release valve, the power unit can be operated ever if no electrical power is available. The unloading valve enables the wheelchair to lower smoothly.

Outline Dimension



Model Specifications

Model	Motor Volt	Motor power	Rated Speed	Displacement	System pressure	Tank Capacity
YBZ-D0.63S1T48/1	12VDC	0.8KW	3500rpm	0.63mL/r	12MPa	1.4L
YBZ-D0.8S1T48/1				0.8mL/r		
YBZ-D0.63S2T48/1	24VDC			0.63mL/r		
YBZ-D0.8S2T48/1				0.8mL/r		

Remark: Please go to page 38 or consult our sales engineer for the different pump displacement, motor power or tank capacity.

Special Notes

- The duty of this power unit is S3, i.e., 30 seconds on and 270 seconds off.
- Clean all the hydraulic parts concerned before mounting the power unit.
- Viscosity of the hydraulic oil should be 15-68 cst, which should also be clean and free of impurities. N46 hydraulic oil is recommended.
- The power unit can be mounted horizontally or vertically.
- Check the oil level in the tank after the initial running of the power unit.
- Oil changing is required after the initial 100 operation hours, afterwards once every 3000 hours.

Copyright: Bucher Hydraulics (Wuxi)Co.,Ltd. 编号: 苏ICP备18069474号-1