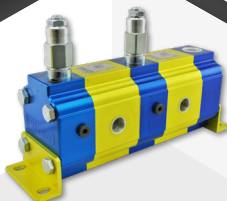
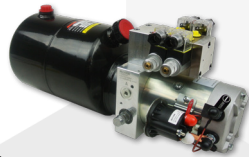
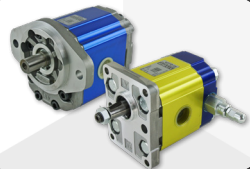


# Hydraulics Network

CATALOGUE **2026**

HYDRAULIC POWER UNITS



**MiMOTION**



IPU with Steel Tank



IPU with Aluminium Tank


**TECH  
DATA**

**SECTION 1 - Motor**

Motor Size	Volts	Details
0.55 kW	240v AC	<p><i>Incorporates the following components arranged within the electric motor:</i></p> <ul style="list-style-type: none"> <li>Motor</li> <li>Coupling</li> <li>Bell Housing</li> <li>Gaskets</li> </ul>
0.75 kW	240v AC	
1.1 kW	240v AC	
1.5 kW	240v AC	
2.2 kW	240v AC	
3.0 kW	240v AC	
3.7 kW	240v AC	
0.55 kW	415v AC	
0.75 kW	415v AC	
1.1 kW	415v AC	
1.5 kW	415v AC	
2.2 kW	415v AC	
3.0 kW	415v AC	
4.0 kW	415v AC	
5.5 kW	415v AC	
7.5 kW	415v AC	
9.2 kW	415v AC	
11.0 kW	415v AC	
15.0 kW	415v AC	
18.5 kW	415v AC	
22.0 kW	415v AC	
30.0 kW	415v AC	

### SECTION 2 - Pump

Pump	Details
Group 1 Pump	<p>Incorporates the following components arranged within the pump(s) : (based on Vivoil single &amp; tandem pumps)</p> <p>Pump Suction Strainer Check Valve Hose &amp; fittings</p>
Group 2 Pump	
Group 3 Pump	
Hi-lo Group 2/1 Tandem	
Hi-lo Group 2/2 Tandem	
Hi-lo Group 3/2 Tandem	

 Pressure-compensated & load sense piston pump configurations also available on request.

### SECTION 3 - Tank

ALUMINIUM TANK	
Tank Size	Details
10 L	<p>Incorporates the following components arranged within the tank:</p> <p>Powdercoated Tank &amp; Lid Nitrile Rubber Gasket</p>
27 L	
40 L	
63 L	
STEEL TANK	
Tank Size	Details
25 L	<p>Incorporates the following components arranged within the tank:</p> <p>Powdercoated Steel Tank &amp; Lid Cork Gasket Filler Breather Temperature Level Gauge Return Filter</p>
40 L	
70 L	
120 L	
200 L	
300 L	
400 L	

NEW

NEW

NEW

### SECTION 4 - Manifold & Valve

Valve Configuration	Coil Options	Details
1/2" P + T Manifold	<p>Optional coils are available on the premium range:</p> <p>115v AC 230v AC</p>	Standard and Premium options available.
3/4" P + T Manifold		<p>Incorporates components arranged within manifold &amp; valve:</p> <p>Manifold Gauge Isolator Hose &amp; Fittings</p> <p>Cartridge unloader valve included with multiple valve.</p> <p>Pressure gauge included as standard with manifold.</p>
Cetop 3 - 1 valve		
Cetop 3 - 2 valves		
Cetop 3 - 3 valves		
Cetop 3 - 4 valves		
Cetop 3 - 5 valves		
Cetop 3 - 6 valves		
Cetop 5 - 1 valve		
Cetop 5 - 2 valves		
Cetop 5 - 3 valves		
Cetop 5 - 4 valves		
Cetop 5 - 5 valves		

**Total Power Unit Price = SECTION 1 \$ + SECTION 2 \$ + SECTION 3 \$ + SECTION 4 \$**



Contact us for a detailed quotation.

SERIES	MOTOR	VALVE	VALVE TYPE	UNLOAD	SUCTION	PUMP	TANK	SPECIAL
BP13	025AA	132	Z-1	U	H	42	5B	V



**MOCEN**®

### MOTOR

240v AC	
025AA	0.25 kW
037AA	0.37 kW
055AA	0.55 kW
075AA	0.75 kW
11AA	1.1 kW
15AA	1.5 kW
22AA	2.2 kW
30AA	3.0 kW
37AA	3.7 kW
415v AC	
025AC	0.25 kW
037AC	0.37 kW
055AC	0.55 kW
075AC	0.75 kW
11AC	1.1 kW
15AC	1.5 kW
22AC	2.2 kW
30AC	3.0 kW
37AC	3.7 kW
40AC	4.0 kW

✦ Electric motors are 4 pole - see page 64

### VALVE

010	P & T
030	Single acting
03M	Single acting w/ override
131	1 x double acting
132	2 x double acting
133	3 x double acting
132S	2 x double acting series manifold
133S	3 x double acting series manifold

### VALVE TYPE

Dual Solenoid	Single Solenoid	Manual Lever		Voltage	
Z	ZA	ZM	Closed centre	-1	12v DC
C	CA	CM	Tandem centre	-2	24v DC
H	HA	HM	Open centre	-3	110v AC
Y	YA	YM	A & B to T	-4	240v AC
-	S	SM	Crossover S/A		

✦ Technical info - see pages 267-279

### UNLOAD VALVE

U	Unload valve
-	No unload valve

### SUCTION

H	Horizontal mount
V	Vertical mount

### PUMP

09	0.9 cc
12	1.2 cc
17	1.7 cc
21	2.1 cc
27	2.7 cc
32	3.2 cc
37	3.7 cc
42	4.2 cc
48	4.8 cc
58	5.8 cc
70	7.0 cc
80	8.0 cc
98	9.8 cc

✦ Technical information - see page 65

### TANK

2B	MT2AB 7.5L
3B	MT3AB 10L
4B	MT4AB 12L
5B	MT5AB 15L
8B	MT18AB 18L
6B	MT6AB 19L
4H	HR4ABC 22L
5H	HR5ABC 30L
6H	HR6ABC 38L

✦ Technical information - see page 66

### SPECIAL

MPR	Motor pump w/ relief valve
MP	Motor pump no relief
SV	Sandwich valve
SVHP	Sandwich valve handpump
SVM	Sandwich valve manual override
COV	Cetop override
HP	Cetop handpump
V	Vivoil pump

✦ Multiple special options separated by /

### BP13 Series Power Unit - 240v AC, 0.25kW to 0.75kW

D/A has 24v DC coils unless specified

	Part #	Power	RPM	Function	Pump	Ports	Tank Usable	Relief Set	Max Pressure
<b>TECH DATA</b>	BP13-025AA010H083B	0.25 kW	1320	P + T	0.8 cc	9/16" UNO	10 L	1600 psi	3000 psi
<b>TECH DATA</b>	BP13-037AA010H083B	0.37 kW	1380	P + T	0.8 cc	9/16" UNO	10 L	2500 psi	3000 psi
<b>TECH DATA</b>	BP13-055AA010H113B	0.55 kW	1400	P + T	1.1 cc	9/16" UNO	10 L	2500 psi	3000 psi
<b>TECH DATA</b>	BP13-075AA010H113B	0.75 kW	1410	P + T	1.1 cc	9/16" UNO	10 L	2500 psi	3000 psi
<b>TECH DATA</b>	BP13-025AA131CH083B	0.25 kW	1320	D/A	0.8 cc	9/16" UNO	10 L	1600 psi	3000 psi
<b>TECH DATA</b>	BP13-037AA131CH083B	0.37 kW	1380	D/A	0.8 cc	9/16" UNO	10 L	2500 psi	3000 psi
<b>TECH DATA</b>	BP13-055AA131CH113B	0.55 kW	1400	D/A	1.1 cc	9/16" UNO	10 L	2500 psi	3000 psi
<b>TECH DATA</b>	BP13-075AA131CH113B	0.75 kW	1410	D/A	1.1 cc	9/16" UNO	10 L	2500 psi	3000 psi

### BP13 Series Power Unit - 415v AC, 0.25kW to 0.75kW

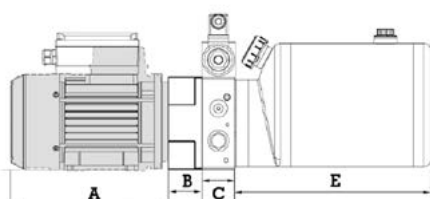
D/A has 24v DC coils unless specified

	Part #	Power	RPM	Function	Pump	Ports	Tank Usable	Relief Set	Max Pressure
<b>TECH DATA</b>	BP13-025AC010H083B	0.25 kW	1380	P + T	0.8 cc	9/16" UNO	10 L	1600 psi	3000 psi
<b>TECH DATA</b>	BP13-037AC010H083B	0.37 kW	1380	P + T	0.8 cc	9/16" UNO	10 L	2500 psi	3000 psi
<b>TECH DATA</b>	BP13-055AC010H113B	0.55 kW	1400	P + T	1.1 cc	9/16" UNO	10 L	2500 psi	3000 psi
<b>TECH DATA</b>	BP13-075AC010H113B	0.75 kW	1410	P + T	1.1 cc	9/16" UNO	10 L	2500 psi	3000 psi
<b>TECH DATA</b>	BP13-025AC131CH083B	0.25 kW	1380	D/A	0.8 cc	9/16" UNO	10 L	1600 psi	3000 psi
<b>TECH DATA</b>	BP13-037AC131CH083B	0.37 kW	1380	D/A	0.8 cc	9/16" UNO	10 L	2500 psi	3000 psi
<b>TECH DATA</b>	BP13-055AC131CH113B	0.55 kW	1400	D/A	1.1 cc	9/16" UNO	10 L	2500 psi	3000 psi
<b>TECH DATA</b>	BP13-075AC131CH113B	0.75 kW	1410	D/A	1.1 cc	9/16" UNO	10 L	2500 psi	3000 psi

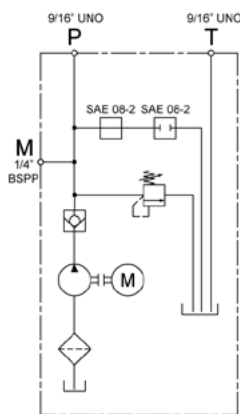


### Size Chart

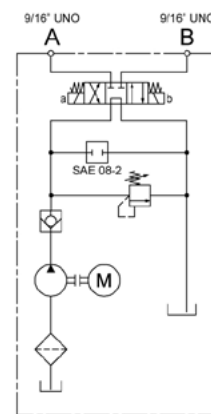
Motor Power	Dimension (mm)			
	A (240v)	A (415v)	B	C
0.25 kW	230	210	58	43
0.37 kW	225	215	58	43
0.55 kW	250	240	58	43
0.75 kW	250	240	68	43
1.1 kW	285	260	68	43



For tank dimensions (E), see page 66



010



131

### BP13 Series Power Unit - 240v AC, 1.1kW to 3.7kW

D/A has 24v DC coils unless specified

	Part #	Power	RPM	Function	Pump	Ports	Tank Usable	Relief Set	Max Pressure
<b>TECH DATA</b>	BP13-11AA010H213B	1.1 kW	1410	P + T	2.1 cc	9/16" UNO	10 L	2500 psi	3000 psi
<b>TECH DATA</b>	BP13-15AA010H213B	1.5 kW	1420	P + T	2.1 cc	9/16" UNO	10 L	2500 psi	3000 psi
<b>TECH DATA</b>	BP13-22AA010H428B	2.2 kW	1430	P + T	4.2 cc	9/16" UNO	18 L	2500 psi	3000 psi
<b>TECH DATA</b>	BP13-30AA010H588B	3.0 kW	1440	P + T	5.8 cc	9/16" UNO	18 L	2500 psi	3000 psi
<b>TECH DATA</b>	BP13-37AA010H805H	3.7 kW	1440	P + T	8.0 cc	9/16" UNO	30 L	2500 psi	2900 psi
<b>TECH DATA</b>	BP13-11AA131CH213B	1.1 kW	1410	D/A	2.1 cc	9/16" UNO	10 L	2500 psi	3000 psi
<b>TECH DATA</b>	BP13-15AA131CH213B	1.5 kW	1420	D/A	2.1 cc	9/16" UNO	10 L	2500 psi	3000 psi
<b>TECH DATA</b>	BP13-22AA131CH428B	2.2 kW	1430	D/A	4.2 cc	9/16" UNO	18 L	2500 psi	3000 psi
<b>TECH DATA</b>	BP13-30AA131CH588B	3.0 kW	1440	D/A	5.8 cc	9/16" UNO	18 L	2500 psi	3000 psi
<b>TECH DATA</b>	BP13-37AA131CH805H	3.7 kW	1440	D/A	8.0 cc	9/16" UNO	30 L	2500 psi	2900 psi

### BP13 Series Power Unit - 415v AC, 1.1kW to 4.0kW

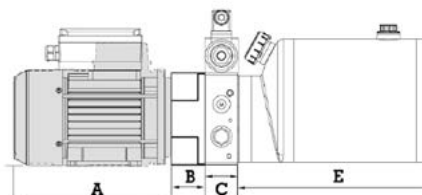
D/A has 24v DC coils unless specified

	Part #	Power	RPM	Function	Pump	Ports	Tank Usable	Relief Set	Max Pressure
<b>TECH DATA</b>	BP13-11AC010H213B	1.1 kW	1410	P + T	2.1 cc	9/16" UNO	10 L	2500 psi	3000 psi
<b>TECH DATA</b>	BP13-15AC010H213B	1.5 kW	1420	P + T	2.1 cc	9/16" UNO	10 L	2500 psi	3000 psi
<b>TECH DATA</b>	BP13-22AC010H428B	2.2 kW	1430	P + T	4.2 cc	9/16" UNO	18 L	2500 psi	3000 psi
<b>TECH DATA</b>	BP13-30AC010H588B	3.0 kW	1440	P + T	5.8 cc	9/16" UNO	18 L	2500 psi	3000 psi
<b>TECH DATA</b>	BP13-40AC010H805H	4.0 kW	1440	P + T	8.0 cc	9/16" UNO	30 L	2500 psi	2900 psi
<b>TECH DATA</b>	BP13-11AC131CH213B	1.1 kW	1410	D/A	2.1 cc	9/16" UNO	10 L	2500 psi	3000 psi
<b>TECH DATA</b>	BP13-15AC131CH213B	1.5 kW	1420	D/A	2.1 cc	9/16" UNO	10 L	2500 psi	3000 psi
<b>TECH DATA</b>	BP13-22AC131CH428B	2.2 kW	1430	D/A	4.2 cc	9/16" UNO	18 L	2500 psi	3000 psi
<b>TECH DATA</b>	BP13-30AC131CH584H	3.0 kW	1440	D/A	5.8 cc	9/16" UNO	18 L	2500 psi	3000 psi
<b>TECH DATA</b>	BP13-40AC131CH805H	4.0 kW	1440	D/A	8.0 cc	9/16" UNO	30 L	2500 psi	2900 psi



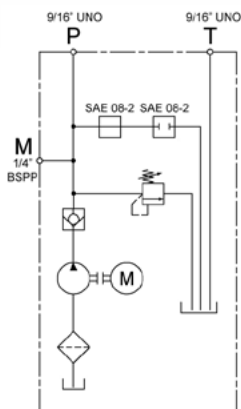
### Size Chart

Motor Power	Dimension (mm)			
	A (240v)	A (415v)	B	C
1.1 kW	285	260	68	43
1.5 kW	315	290	68	43
2.2 kW	340	320	90	43
3.0 kW	360	320	90	43
3.7 kW	370	370	90	43
4.0 kW	n/a	335	90	43

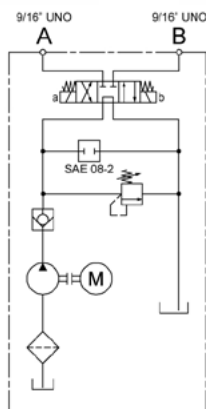


For tank dimensions (E), see page 66

010



131



SERIES	MOTOR	VALVE	VALVE TYPE	SUCTION	PUMP	TANK	SPECIAL
ETB	16DA	132	Z	V	21	40	-



### MOTOR

<b>16DA</b>	1.6kW/12v DC, 2600 rpm
<b>16DB</b>	2.2kW/24v DC, 2700 rpm
<b>25DA</b>	2.5kW/12v DC, 2400 rpm
<b>25DB</b>	2.8kW/24v DC, 3400 rpm

Technical information - see page 63

### VALVE

<b>010</b>	P & T
<b>030</b>	Single acting
<b>03M</b>	Single acting w/ override
<b>131</b>	1 x double acting (cetop)
<b>132</b>	2 x double acting (cetop)
<b>132S</b>	2 x double acting series manifold

### VALVE TYPE

Dual Solenoid	Single Solenoid	
<b>Z</b>	<b>ZA</b>	Closed centre
<b>C</b>	<b>CA</b>	Tandem centre
<b>H</b>	<b>HA</b>	Open centre
<b>Y</b>	<b>YA</b>	A & B to T
<b>-</b>	<b>S</b>	Crossover S/A

Technical info - see pages 267-279

### SUCTION

<b>V</b>	Vertical mount
----------	----------------

### PUMP

<b>08</b>	0.8 cc
<b>11</b>	1.1 cc
<b>16</b>	1.6 cc
<b>21</b>	2.1 cc
<b>27</b>	2.7 cc
<b>32</b>	3.2 cc
<b>37</b>	3.7 cc
<b>42</b>	4.2 cc
<b>48</b>	4.8 cc
<b>58</b>	5.8 cc
<b>70</b>	7.0 cc
<b>80</b>	8.0 cc

Technical information - see page 65

### TANK

<b>40</b>	8.0L
<b>35</b>	15.0L

### SPECIAL

<b>COV</b>	Cetop override
<b>HP</b>	Cetop handpump
<b>V</b>	Vivoil pump

Multiple special options separated by /

- Fully pre-wired electrical circuit
- Quick & easy installation
- Easily removable service cover
- 2mm mild steel powder-coated enclosure
- Circuit breaker fully protects unit
- ON/OFF master isolation switch
- Panel-mount quick connect pendant
- Optional radio remote
- Mounted on vibration absorbers

**MOCEN**®



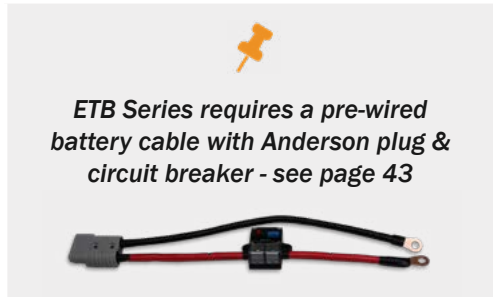
**TECH  
DATA**

**ETB Series Power Unit - P & T, 1.6kW to 2.8kW**

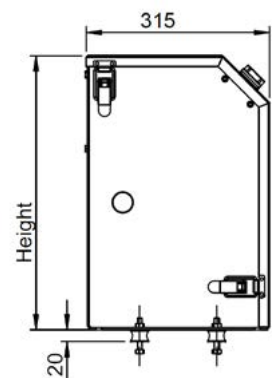
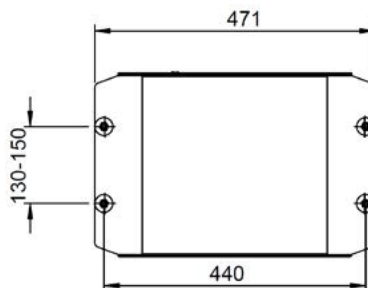
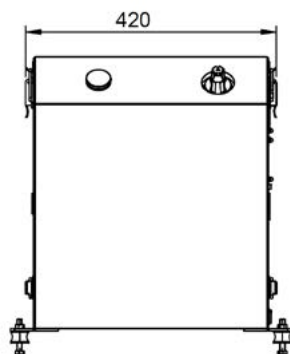
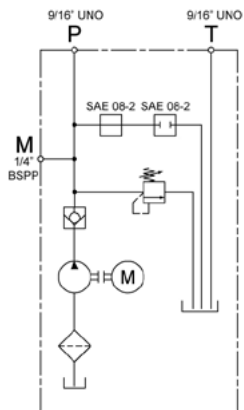
Part #	Power	Voltage	Function	Pump	Tank Usable	P & T Ports	Relief Set	Maximum Pressure	Circuit Breaker Rating	Height
ETB-16DA010V2140	1.6 kW	12v	P & T	2.1 cc	8 L	9/16" UNO	2500 psi	3000 psi	235 amp	405mm
ETB-16DA010V2145	1.6 kW	12v	P & T	2.1 cc	15 L	9/16" UNO	2500 psi	3000 psi	235 amp	455mm
ETB-16DB010V2140	2.2 kW	24v	P & T	2.1 cc	8 L	9/16" UNO	2500 psi	3000 psi	120 amp	405mm
ETB-16DB010V2145	2.2 kW	24v	P & T	2.1 cc	15 L	9/16" UNO	2500 psi	3000 psi	120 amp	455mm
ETB-25DA010V2740	2.5 kW	12v	P & T	2.7 cc	8 L	9/16" UNO	2500 psi	3000 psi	295 amp	405mm
ETB-25DA010V2745	2.5 kW	12v	P & T	2.7 cc	15 L	9/16" UNO	2500 psi	3000 psi	295 amp	455mm
ETB-25DB010V3240	2.8 kW	24v	P & T	3.2 cc	8 L	9/16" UNO	2500 psi	3000 psi	200 amp	405mm
ETB-25DB010V3245	2.8 kW	24v	P & T	3.2 cc	15 L	9/16" UNO	2500 psi	3000 psi	200 amp	455mm



- Includes ETB-CM401-30 built-in wiring loom with flying leads, 3 metre cable
- Plug & Play
- Panel-mounted Anderson plug
- Master ON/OFF isolator
- Mounted on vibration absorbers
- Reduces installation time
- Provisions for optional wireless controller



Includes ETB-CM401-30 wiring loom with flying leads & 3m cable




**TECH  
DATA**


**ETB Series Power Unit - Single Acting, 1.6kW to 2.8kW**

Part #	Power	Voltage	Function	Pump	Tank Usable	P & T Ports	Relief Set	Maximum Pressure	Circuit Breaker Rating	Height
ETB-16DA030V2140	1.6 kW	12v	S/A	2.1 cc	8 L	9/16" UNO	2500 psi	3000 psi	235 amp	405mm
ETB-16DA030V2145	1.6 kW	12v	S/A	2.1 cc	15 L	9/16" UNO	2500 psi	3000 psi	235 amp	455mm
ETB-16DB030V2140	2.2 kW	24v	S/A	2.1 cc	8 L	9/16" UNO	2500 psi	3000 psi	120 amp	405mm
ETB-16DB030V2145	2.2 kW	24v	S/A	2.1 cc	15 L	9/16" UNO	2500 psi	3000 psi	120 amp	455mm
ETB-25DA030V2740	2.5 kW	12v	S/A	2.7 cc	8 L	9/16" UNO	2500 psi	3000 psi	295 amp	405mm
ETB-25DA030V2745	2.5 kW	12v	S/A	2.7 cc	15 L	9/16" UNO	2500 psi	3000 psi	295 amp	455mm
ETB-25DB030V3240	2.8 kW	24v	S/A	3.2 cc	8 L	9/16" UNO	2500 psi	3000 psi	200 amp	405mm
ETB-25DB030V3245	2.8 kW	24v	S/A	3.2 cc	15 L	9/16" UNO	2500 psi	3000 psi	200 amp	455mm

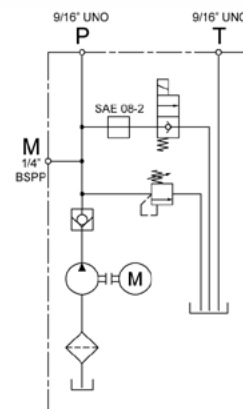
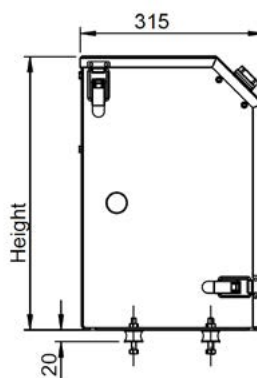
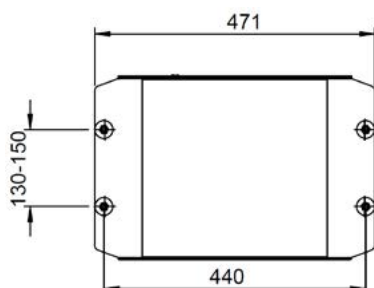
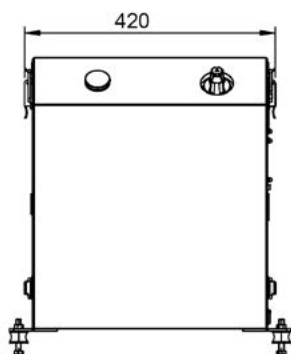


- Includes ETB-KCB21 quick connect pendant controller with 3 metre cable
- Plug & Play
- Panel-mounted Anderson plug
- Master ON/OFF isolator
- Mounted on vibration absorbers
- Reduces installation time
- Provisions for optional wireless controller

  
**ETB Series requires a pre-wired battery cable with Anderson plug & circuit breaker - see page 43**




Includes ETB-KCB21 quick connect pendant controller with 3m cable



**Replacement Pendant Controller**

Part #	Description
ETB-KCB21	Quick connect pendant controller for single acting ETB power unit, with 3 metre cable


**TECH  
DATA**


**ETB Series Power Unit - Double Acting, 1.6kW to 2.8kW**

Part #	Power	Voltage	Function	Pump	Tank Usable	P & T Ports	Relief Set	Maximum Pressure	Circuit Breaker Rating	Height
ETB-16DA131V2140	1.6 kW	12v	D/A	2.1 cc	8 L	9/16" UNO	2500 psi	3000 psi	235 amp	405mm
ETB-16DA131V2145	1.6 kW	12v	D/A	2.1 cc	15 L	9/16" UNO	2500 psi	3000 psi	235 amp	455mm
ETB-16DB131V2140	2.2 kW	24v	D/A	2.1 cc	8 L	9/16" UNO	2500 psi	3000 psi	120 amp	405mm
ETB-16DB131V2145	2.2 kW	24v	D/A	2.1 cc	15 L	9/16" UNO	2500 psi	3000 psi	120 amp	455mm
ETB-25DA131V2740	2.5 kW	12v	D/A	2.7 cc	8 L	9/16" UNO	2500 psi	3000 psi	295 amp	405mm
ETB-25DA131V2745	2.5 kW	12v	D/A	2.7 cc	15 L	9/16" UNO	2500 psi	3000 psi	295 amp	455mm
ETB-25DB131V3240	2.8 kW	24v	D/A	3.2 cc	8 L	9/16" UNO	2500 psi	3000 psi	200 amp	405mm
ETB-25DB131V3245	2.8 kW	24v	D/A	3.2 cc	15 L	9/16" UNO	2500 psi	3000 psi	200 amp	455mm

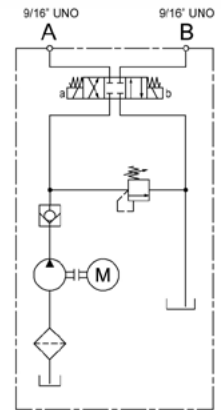
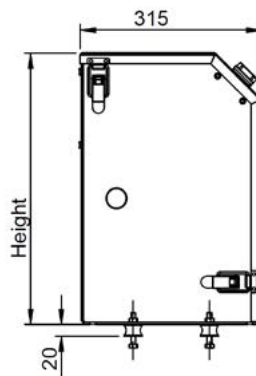
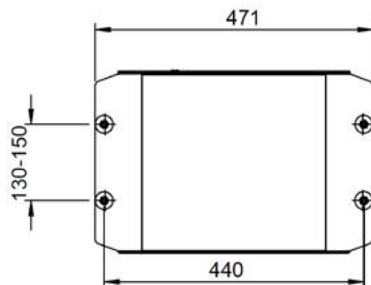
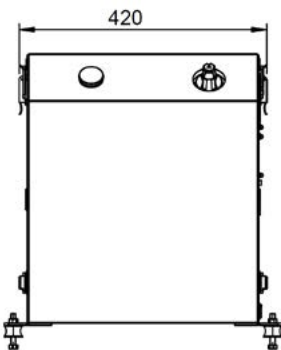


- Includes ETB-KCB22 quick connect pendant controller with 3 metre cable
- Plug & Play
- Panel-mounted Anderson plug
- Master ON/OFF isolator
- Mounted on vibration absorbers
- Reduces installation time
- Provisions for optional wireless controller

  
**ETB Series requires a pre-wired battery cable with Anderson plug & circuit breaker - see page 43**




Includes ETB-KCB22 quick connect pendant controller with 3m cable



**Replacement Pendant Controller**

Part #	Description
ETB-KCB22	Quick connect pendant controller for double acting ETB power unit, with 3 meter cable

**TECH  
DATA**

**ETB Series Power Unit - Double Acting x 2, 1.6kW to 2.8kW**

Part #	Power	Voltage	Function	Pump	Tank Usable	P & T Ports	Relief Set	Maximum Pressure	Circuit Breaker Rating	Height
ETB-16DA132V2140	1.6 kW	12v	2 x D/A	2.1 cc	8 L	9/16" UNO	2500 psi	3000 psi	235 amp	405mm
ETB-16DA132V2145	1.6 kW	12v	2 x D/A	2.1 cc	15 L	9/16" UNO	2500 psi	3000 psi	235 amp	455mm
ETB-16DB132V2140	2.2 kW	24v	2 x D/A	2.1 cc	8 L	9/16" UNO	2500 psi	3000 psi	120 amp	405mm
ETB-16DB132V2145	2.2 kW	24v	2 x D/A	2.1 cc	15 L	9/16" UNO	2500 psi	3000 psi	120 amp	455mm
ETB-25DA132V2740	2.5 kW	12v	2 x D/A	2.7 cc	8 L	9/16" UNO	2500 psi	3000 psi	295 amp	405mm
ETB-25DA132V2745	2.5 kW	12v	2 x D/A	2.7 cc	15 L	9/16" UNO	2500 psi	3000 psi	295 amp	455mm
ETB-25DB132V3240	2.8 kW	24v	2 x D/A	3.2 cc	8 L	9/16" UNO	2500 psi	3000 psi	200 amp	405mm
ETB-25DB132V3245	2.8 kW	24v	2 x D/A	3.2 cc	15 L	9/16" UNO	2500 psi	3000 psi	200 amp	455mm

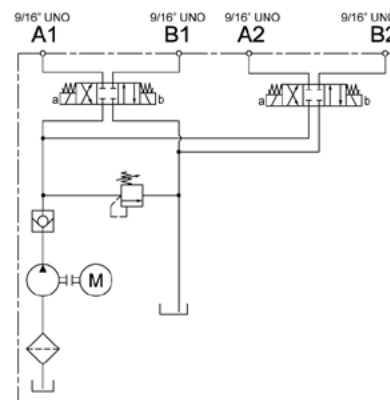
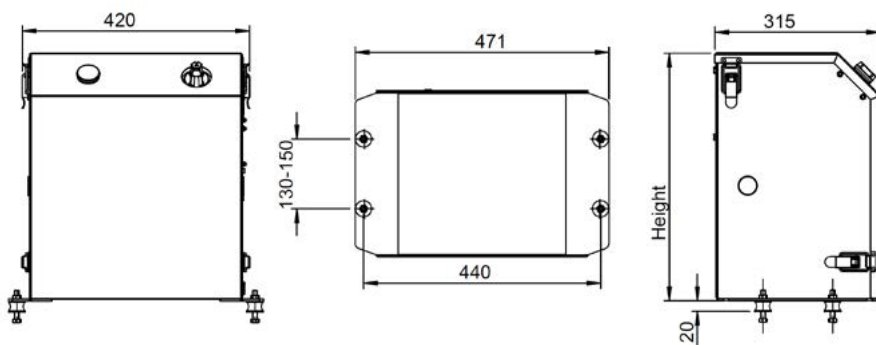


- Includes ETB-KCB22 quick connect pendant controller with 3 metre cable
- Plug & Play
- Panel-mounted Anderson plug
- Master ON/OFF isolator
- Mounted on vibration absorbers
- Reduces installation time
- Provisions for optional wireless controller

*ETB Series requires a pre-wired battery cable with Anderson plug & circuit breaker - see page 43*



Includes ETB-KCB22 quick connect pendant controller with 3m cable



**Replacement Pendant Controller**

Part #	Description
ETB-KCB42	Quick connect pendant controller for 2 x double acting ETB power unit, with 3 meter cable

**TECH  
DATA**

### Battery Wiring Harness Kit - to suit 16DB 24v ETB Series Power Unit

Part #	Circuit Breaker	Cable Length (L)	Cable Ø	AWG	Stud Ø
XS03-1A150A-05	150A	500mm	50mm <sup>2</sup>	1AWG	8.2mm
XS03-1A150A-10	150A	1000mm	50mm <sup>2</sup>	1AWG	8.2mm
XS03-1A150A-15	150A	1500mm	50mm <sup>2</sup>	1AWG	8.2mm
XS03-1A150A-20	150A	2000mm	50mm <sup>2</sup>	1AWG	8.2mm
XS03-1A150A-30	150A	3000mm	50mm <sup>2</sup>	1AWG	8.2mm

### Battery Wiring Harness Kit - to suit 25DB 24v ETB Series Power Unit

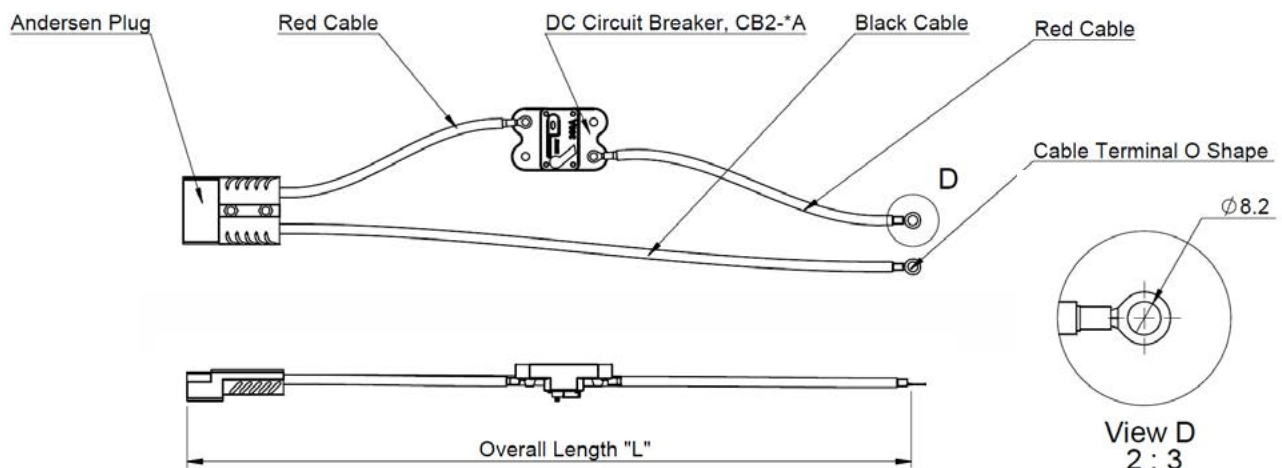
Part #	Circuit Breaker	Cable Length (L)	Cable Ø	AWG	Stud Ø
XS03-1A200A-05	200A	500mm	50mm <sup>2</sup>	1AWG	8.2mm
XS03-1A200A-10	200A	1000mm	50mm <sup>2</sup>	1AWG	8.2mm
XS03-1A200A-15	200A	1500mm	50mm <sup>2</sup>	1AWG	8.2mm
XS03-1A200A-20	200A	2000mm	50mm <sup>2</sup>	1AWG	8.2mm
XS03-1A200A-30	200A	3000mm	50mm <sup>2</sup>	1AWG	8.2mm

### Battery Wiring Harness Kit - to suit 16DA 12v ETB Series Power Unit

Part #	Circuit Breaker	Cable Length (L)	Cable Ø	AWG	Stud Ø
XS03-1A250A-05	250A	500mm	50mm <sup>2</sup>	1AWG	8.2mm
XS03-1A250A-10	250A	1000mm	50mm <sup>2</sup>	1AWG	8.2mm
XS03-1A250A-15	250A	1500mm	50mm <sup>2</sup>	1AWG	8.2mm
XS03-1A250A-20	250A	2000mm	50mm <sup>2</sup>	1AWG	8.2mm
XS03-1A250A-30	250A	3000mm	50mm <sup>2</sup>	1AWG	8.2mm

### Battery Wiring Harness Kit - to suit 25DA 12v ETB Series Power Unit

Part #	Circuit Breaker	Cable Length (L)	Cable Ø	AWG	Stud Ø
XS03-1A300A-05	300A	500mm	50mm <sup>2</sup>	1AWG	8.2mm
XS03-1A300A-10	300A	1000mm	50mm <sup>2</sup>	1AWG	8.2mm
XS03-1A300A-15	300A	1500mm	50mm <sup>2</sup>	1AWG	8.2mm
XS03-1A300A-20	300A	2000mm	50mm <sup>2</sup>	1AWG	8.2mm
XS03-1A300A-30	300A	3000mm	50mm <sup>2</sup>	1AWG	8.2mm



PART #	MOTOR	VALVE	VALVE TYPE	UNLOAD	SUCTION	PUMP	TANK	SPECIAL
	<b>16DA</b>	<b>131</b>	<b>Z</b>	<b>U</b>	<b>H</b>	<b>21</b>	<b>2A</b>	<b>V</b>



MOTOR	
<b>03DA</b>	350W/12v DC 1700 rpm
<b>03DB</b>	350W/24v DC 1800 rpm
<b>08DA</b>	800W/12v DC 3200 rpm
<b>08DB</b>	800W/24v DC 3200 rpm
<b>16DA</b>	1.6kW/12v DC 2600 rpm
<b>16DB</b>	2.2kW/24v DC 2700 rpm
<b>25DA</b>	2.5kW/12v DC 2400 rpm
<b>25DB</b>	2.8kW/24v DC 3400 rpm
<b>30DA</b>	3.0kW/12v DC 1850 rpm
<b>40DB</b>	4.0kW/24v DC 2700 rpm
<b>15AA</b>	1.1kW/240v AC 2800 rpm
<b>30AA</b>	2.2kW/240v AC 2800 rpm
<b>15AC</b>	1.1kW/415v AC 2800 rpm
<b>30AC</b>	2.2kW/415v AC 2800 rpm
<b>40AC</b>	3.0kW/415v AC 2800 rpm
<b>50AC</b>	4.0kW/415v AC 2800 rpm

Technical information - see page 63-64

VALVE	
<b>010</b>	P & T
<b>030</b>	Single acting
<b>03M</b>	Single acting w/ override
<b>131</b>	1 x double acting (cetop)
<b>132</b>	2 x double acting (cetop)
<b>132</b>	2 x double acting (sandwich)
<b>132S</b>	2 x double acting series manifold
<b>133</b>	3 x double acting (sandwich)
<b>133S</b>	3 x double acting series manifold
<b>134</b>	4 x double acting (sandwich)
<b>135</b>	5 x double acting (sandwich)
<b>136</b>	6 x double acting (sandwich)

Aidro brand sandwich valves must be used when the flow rate exceeds 6 L/min

VALVE TYPE				
Dual Solenoid	Single Solenoid	Manual Lever		Voltage (AC units only)
<b>Z</b>	<b>ZA</b>	<b>ZM</b>	Closed centre	<b>-1</b> 12v DC
<b>C</b>	<b>CA</b>	<b>CM</b>	Tandem centre	<b>-2</b> 24v DC
<b>H</b>	<b>HA</b>	<b>HM</b>	Open centre	<b>-3</b> 110v AC
<b>Y</b>	<b>YA</b>	<b>YM</b>	A & B to T	<b>-4</b> 240v AC
<b>-</b>	<b>S</b>	<b>SM</b>	Crossover S/A	

Technical info - see pages 267-279

UNLOAD VALVE	
<b>U</b>	Unload valve
<b>-</b>	No unload

SUCTION	
<b>H</b>	Horizontal mount
<b>V</b>	Vertical mount

PUMP	
<b>037</b>	0.37 cc
<b>075</b>	0.75 cc
<b>08</b>	0.8 cc
<b>11</b>	1.1 cc
<b>16</b>	1.6 cc
<b>21</b>	2.1 cc
<b>27</b>	2.7 cc
<b>32</b>	3.2 cc
<b>37</b>	3.7 cc
<b>42</b>	4.2 cc
<b>48</b>	4.8 cc
<b>58</b>	5.8 cc
<b>70</b>	7.0 cc
<b>80</b>	8.0 cc

Technical information - see page 65

TANK	
<b>1S</b>	MS1AB 1L useable
<b>2S</b>	MS2AB 1.4L useable
<b>4S</b>	MS4AB 2.4L useable
<b>0B</b>	MT0AB 2.5L
<b>0P</b>	RP0AB 2.5L
<b>0A</b>	LS0AB 3.0L
<b>6S</b>	MS6AB 3.3L
<b>1A</b>	LS1AB 3.8L
<b>2A</b>	LS2AB 5.7L
<b>2B</b>	MT2AB 7.5L
<b>3B</b>	MT3AB 10L
<b>4B</b>	MT4AB 12L
<b>5B</b>	MT5AB 15L
<b>6B</b>	MT6AB 19L
<b>4H</b>	HR4ABC 22L
<b>5H</b>	HR5ABC 30L
<b>6H</b>	HR6ABC 38L

Technical information - see page 66

SPECIAL	
<b>MPR</b>	Motor pump w/ relief valve
<b>MP</b>	Motor pump no relief
<b>SV</b>	Sandwich valve
<b>SVHP</b>	Sandwich valve handpump
<b>SVM</b>	Sandwich valve manual override
<b>COV</b>	CETOP override
<b>HP</b>	Cetop handpump
<b>V</b>	Vivoil pump

Multiple special options separated by /

### Micro Power Unit 350 Watt DC

Intermittent use only

**TECH DATA**  
**TECH DATA**  
**TECH DATA**  
**TECH DATA**  
**TECH DATA**  
**TECH DATA**

Part #	Power	Volts	Function	Pump	Ports	Tank Usable	Relief Set	Max Pressure
03DA010H0381P	350 W	12v	P + T	0.38 cc	9/16" UNO	1.4 L	2500 psi	3000 psi
03DB010H0381P	350 W	24v	P + T	0.38 cc	9/16" UNO	1.4 L	2500 psi	3000 psi
03DA030H0381P	350 W	12v	S/A	0.38 cc	9/16" UNO	1.4 L	2500 psi	3000 psi
03DB030H0381P	350 W	24v	S/A	0.38 cc	9/16" UNO	1.4 L	2100 psi	3000 psi
03DA131ZH0382S	350 W	12v	D/A	0.38 cc	9/16" UNO	1.4 L	2500 psi	3000 psi
03DB131ZH0382S	350 W	24v	D/A	0.38 cc	9/16" UNO	1.4 L	2500 psi	3000 psi



03D Series



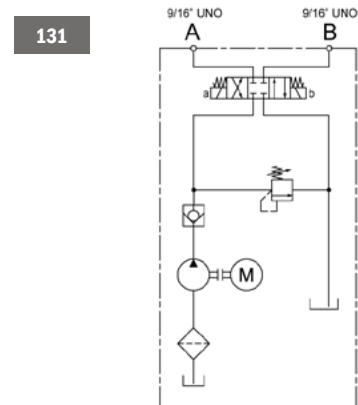
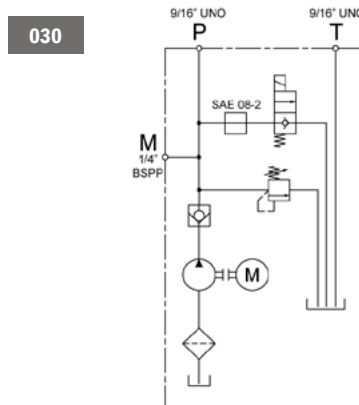
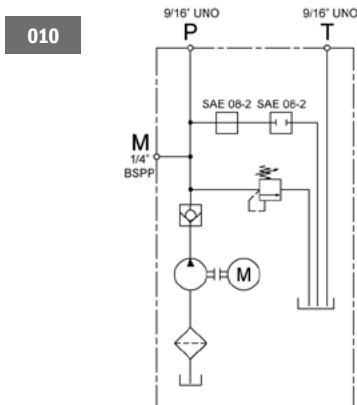
08D Series

### Micro Power Unit 800 Watt DC

Intermittent use only

**TECH DATA**  
**TECH DATA**  
**TECH DATA**  
**TECH DATA**  
**TECH DATA**  
**TECH DATA**

Part #	Power	Volts	Function	Pump	Ports	Tank Usable	Relief Set	Max Pressure
08DA010H0751P	800 W	12v	P + T	0.75 cc	9/16" UNO	1.4 L	2500 psi	3000 psi
08DB010H0751P	800 W	24v	P + T	0.75 cc	9/16" UNO	1.4 L	2500 psi	3000 psi
08DA030H0751P	800 W	12v	S/A	0.75 cc	9/16" UNO	1.4 L	2400 psi	3000 psi
08DB030H0751P	800 W	24v	S/A	0.75 cc	9/16" UNO	1.4 L	2400 psi	3000 psi
08DA131ZH0752S	800 W	12v	D/A	0.75 cc	9/16" UNO	1.4 L	2500 psi	3000 psi
08DB131ZH0752S	800 W	24v	D/A	0.75 cc	9/16" UNO	1.4 L	2500 psi	3000 psi



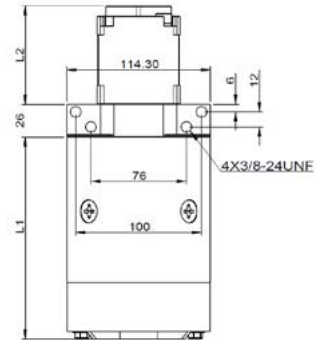
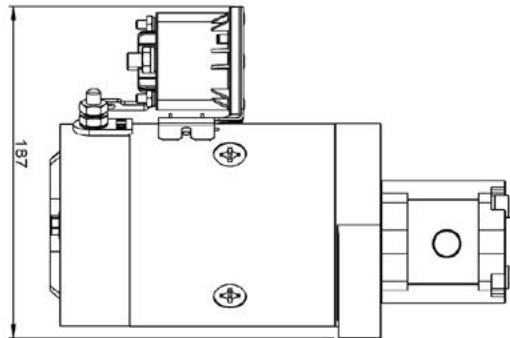
**TECH  
DATA**

**Motor Pump DC Power Units**

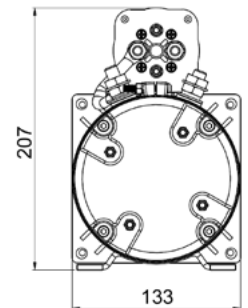
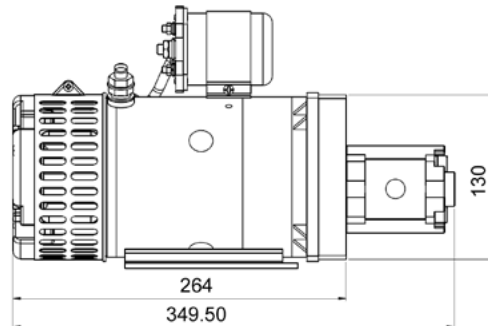
Part #	Power	Volts	Function	Pump	Ports	Maximum Pressure	Dimensions (mm)	
							L1	L2
MPA-416A-21-03	1.6 kW	12v	M-P	2.1 cc	1/2" BSPP	3000 psi	160	78
MPA-422B-21-03	2.2 kW	24v	M-P	2.1 cc	1/2" BSPP	3000 psi	160	78
MPA-425A-32-03	2.5 kW	12v	M-P	3.2 cc	1/2" BSPP	3000 psi	180	82
MPA-428B-32-03	2.8 kW	24v	M-P	3.2 cc	1/2" BSPP	3000 psi	205	82
MPA-530A-37-01	3.0 kW	12v	M-P	3.7cc	1/2" BSPP	3000 psi	See drawing	
MPA-540B-42-01	4.0 kW	24v	M-P	4.2 cc	1/2" BSPP	3000 psi	See drawing	



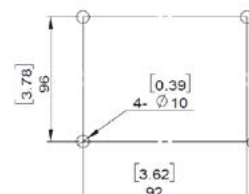
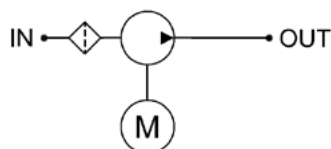
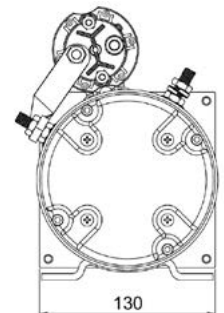
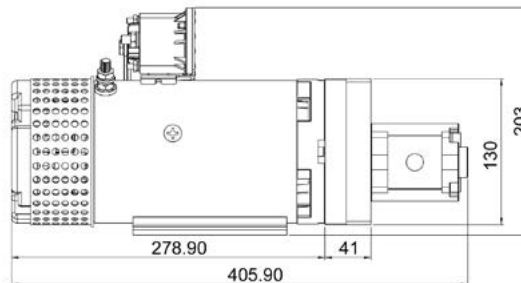
MPA-416/422/425/428



MPA-530



MPA-540



MPA-530/540 Mounting

### Power Unit P & T (DC)

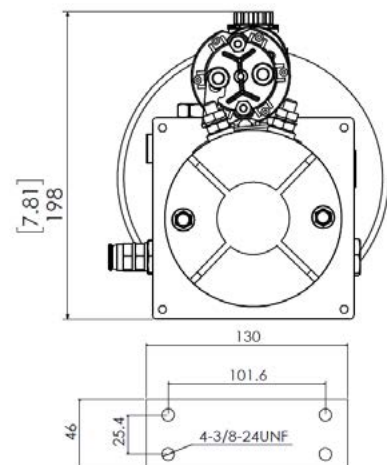
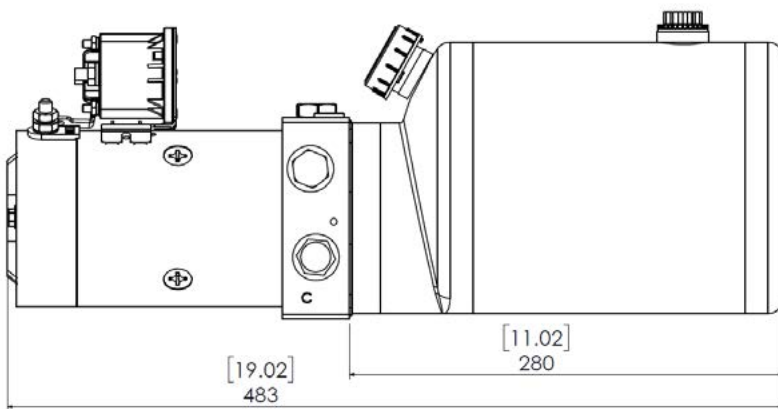
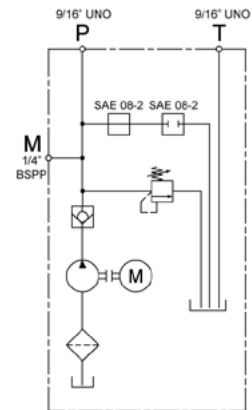
Intermittent use only | Full range of tank size options on page 66

	Part #	Power	Volts	Function	Pump	Ports	Tank Usable	Relief Set	Max Pressure
<b>TECH DATA</b>	16DA010H211A	1.6 kW	12v	P + T	2.1 cc	9/16" UNO	3.8 L	3000 psi	3000 psi
<b>TECH DATA</b>	16DA010H212A	1.6 kW	12v	P + T	2.1 cc	9/16" UNO	5.7 L	2500 psi	3000 psi
<b>TECH DATA</b>	16DA010H212B	1.6 kW	12v	P + T	2.1 cc	9/16" UNO	7.5 L	2500 psi	3000 psi
<b>TECH DATA</b>	16DA010H213B	1.6 kW	12v	P + T	2.1 cc	9/16" UNO	10 L	2500 psi	3000 psi
<b>TECH DATA</b>	16DB010H211A	2.2 kW	24v	P + T	2.1 cc	9/16" UNO	3.8 L	2500 psi	3000 psi
<b>TECH DATA</b>	16DB010H212A	2.2 kW	24v	P + T	2.1 cc	9/16" UNO	5.7 L	2500 psi	3000 psi
<b>TECH DATA</b>	16DB010H212B	2.2 kW	24v	P + T	2.1 cc	9/16" UNO	7.5 L	2500 psi	3000 psi
<b>TECH DATA</b>	16DB010H213B	2.2 kW	24v	P + T	2.1 cc	9/16" UNO	10 L	2500 psi	3000 psi



### Dimensions (mm)

Tank Size	Length	Width	Height
3.8 L	483	183	200
5.7 L	553	183	200
7.5 L	483	183	200
10 L	540	183	200
15 L	713	183	200



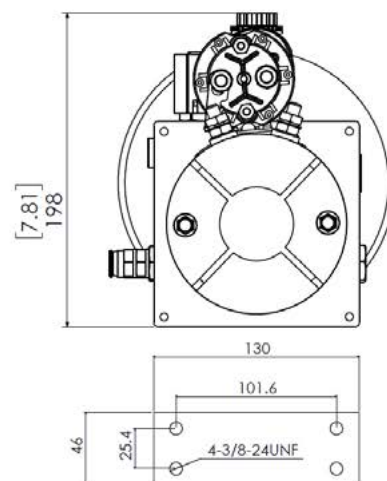
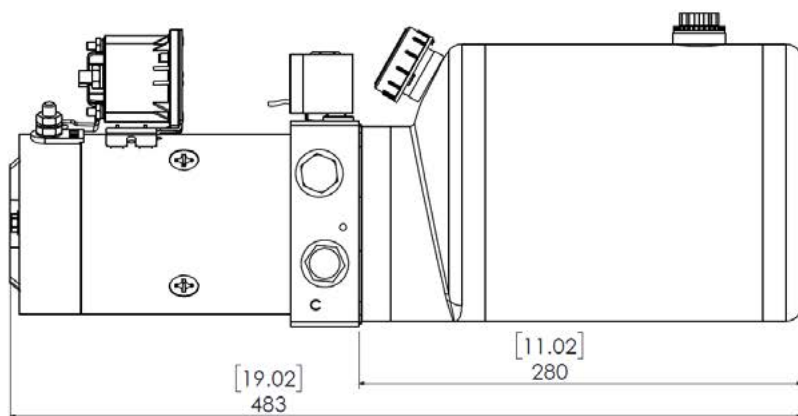
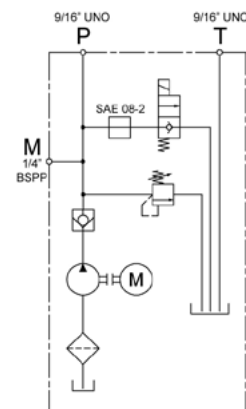
### Single Acting Power Unit (DC)

Intermittent use only | Full range of tank size options on page 66 | Flow control cartridge can fit centre block

	Part #	Power	Volts	Function	Pump	Ports	Tank Usable	Relief Set	Max Pressure
<b>TECH DATA</b>	16DA030H211A	1.6 kW	12v	S/A	2.1 cc	9/16" UNO	3.8 L	2500 psi	3000 psi
<b>TECH DATA</b>	16DA030H212A	1.6 kW	12v	S/A	2.1 cc	9/16" UNO	5.7 L	2500 psi	3000 psi
<b>TECH DATA</b>	16DA030H212B	1.6 kW	12v	S/A	2.1 cc	9/16" UNO	7.5 L	2500 psi	3000 psi
<b>TECH DATA</b>	16DA030H213B	1.6 kW	12v	S/A	2.1 cc	9/16" UNO	10 L	3000 psi	3000 psi
<b>TECH DATA</b>	16DB030H211A	2.2 kW	24v	S/A	2.1 cc	9/16" UNO	3.8 L	2500 psi	3000 psi
<b>TECH DATA</b>	16DB030H212A	2.2 kW	24v	S/A	2.1 cc	9/16" UNO	5.7 L	2500 psi	3000 psi
<b>TECH DATA</b>	16DB030H212B	2.2 kW	24v	S/A	2.1 cc	9/16" UNO	7.5 L	3000 psi	3000 psi
<b>TECH DATA</b>	16DB030H213B	2.2 kW	24v	S/A	2.1 cc	9/16" UNO	10 L	2500 psi	3000 psi



Dimensions (mm)			
Tank Size	Length	Width	Height
3.8 L	483	198	200
5.7 L	553	198	200
7.5 L	483	198	200
10 L	540	198	200
15 L	713	198	200



### Double Acting Power Unit (DC)

Intermittent use only | Full range of tank size options on page 66

TECH DATA

TECH DATA

TECH DATA

TECH DATA

TECH DATA

TECH DATA

TECH DATA

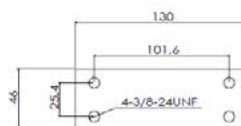
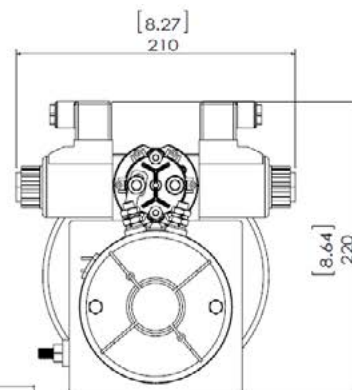
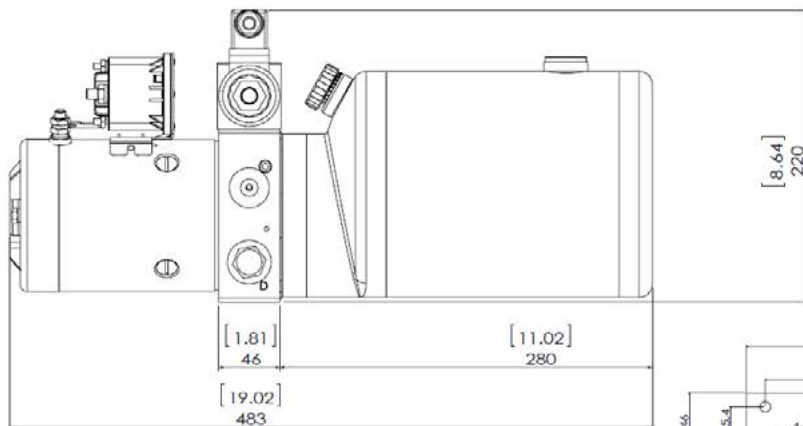
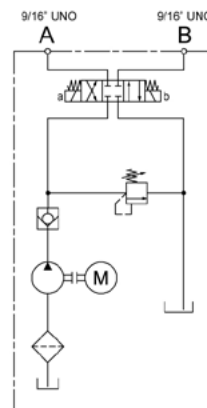
TECH DATA

Part #	Power	Volts	Function	Pump	Ports	Tank Usable	Relief Set	Max Pressure
16DA131ZH211A	1.6 kW	12v	D/A	2.1 cc	9/16" UNO	3.8 L	2500 psi	3000 psi
16DA131ZH212A	1.6 kW	12v	D/A	2.1 cc	9/16" UNO	5.7 L	2500 psi	3000 psi
16DA131ZH212B	1.6 kW	12v	D/A	2.1 cc	9/16" UNO	7.5 L	2500 psi	3000 psi
16DA131ZH213B	1.6 kW	12v	D/A	2.1 cc	9/16" UNO	10 L	2500 psi	3000 psi
16DB131ZH211A	2.2 kW	24v	D/A	2.1 cc	9/16" UNO	3.8 L	2500 psi	3000 psi
16DB131ZH212A	2.2 kW	24v	D/A	2.1 cc	9/16" UNO	5.7 L	2500 psi	3000 psi
16DB131ZH212B	2.2 kW	24v	D/A	2.1 cc	9/16" UNO	7.5 L	3000 psi	3000 psi
16DB131ZH213B	2.2 kW	24v	D/A	2.1 cc	9/16" UNO	10 L	2500 psi	3000 psi



### Dimensions (mm)

Tank Size	Length	Width	Height
3.8 L	483	210	220
5.7 L	553	210	220
7.5 L	483	210	220
10 L	540	210	220
15 L	713	210	220



### Double Acting x 2 Power Unit (DC)

Intermittent use only | Full range of tank size options on page 66

TECH DATA

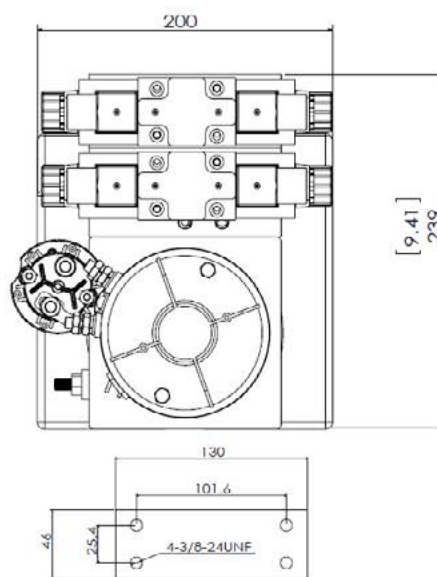
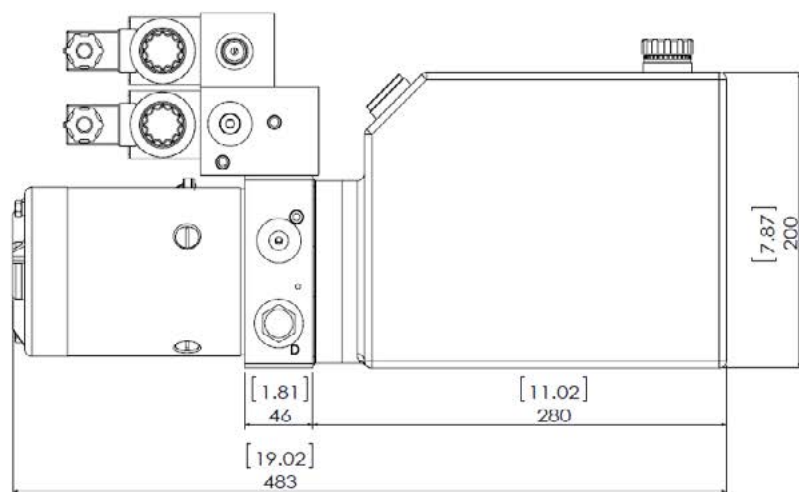
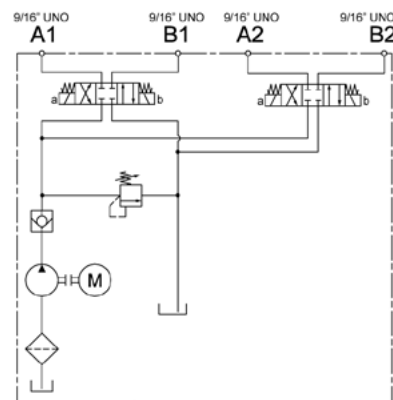
TECH DATA

Part #	Power	Volts	Function	Pump	Ports	Tank Usable	Relief Set	Max Pressure
16DA132ZH212B	1.6 kW	12v	2 x D/A	2.1 cc	9/16" UNO	7.5 L	2500 psi	3000 psi
16DB132ZH212B	2.2 kW	24v	2 x D/A	2.1 cc	9/16" UNO	7.5 L	2500 psi	3000 psi



### Dimensions (mm)

Tank Size	Length	Width	Height
3.8 L	483	200	239
5.7 L	553	200	239
7.5 L	483	200	239
10 L	540	200	239
15 L	713	200	239



### Double Acting Power Unit with Hand Pump (DC)

Intermittent use only | Full range of tank size options on page 66 | 4.5cc hand pump | Manual override cetop valve

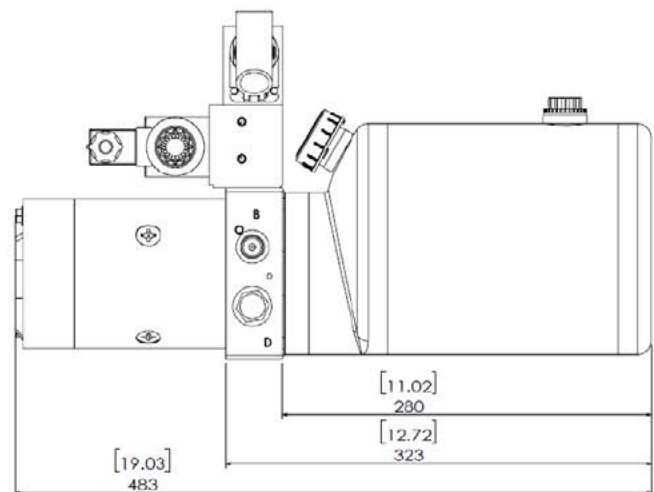
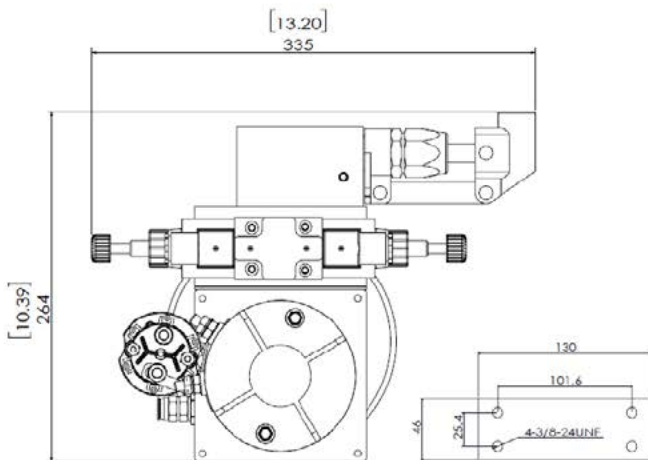
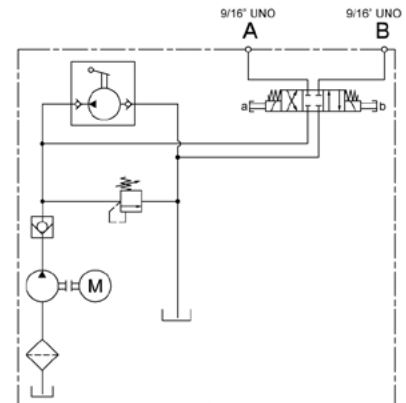
	Part #	Power	Volts	Function	Pump	Ports	Tank Usable	Relief Set	Max Pressure
<b>TECH DATA</b>	16DA131ZH211AHP COV	1.6 kW	12v	D/A	2.1 cc	9/16" UNO	3.8 L	2500 psi	3000 psi
<b>TECH DATA</b>	16DB131ZH211AHP COV	2.2 kW	24v	D/A	2.1 cc	9/16" UNO	5.7 L	2500 psi	3000 psi



### Dimensions (mm)

Tank Size	Length	Width	Height
3.8 L	483	200	264*
5.7 L	553	200	264*
7.5 L	483	200	264*
10 L	540	200	264*
15 L	713	200	264*

\* height not including handle (handle length 430mm)



### Double Acting x 2 Power Unit (DC)

Intermittent use only | Full range of tank size options on page 66 | Configuration options on page 44

TECH DATA

TECH DATA

Part #	Power	Volts	Function	Pump	Ports	Tank Usable	Relief Set	Max Pressure
16DA132ZH211A SV	1.6 kW	12v	2 x D/A	2.1 cc	1/4" BSP	3.8 L	2200 psi	3000 psi
16DB132ZH211A SV	2.2 kW	24v	2 x D/A	2.1 cc	1/4" BSP	3.8 L	2200 psi	3000 psi

### Double Acting x 3 Power Unit (DC)

Intermittent use only | Full range of tank size options on page 66 | Configuration options on page 44

TECH DATA

TECH DATA

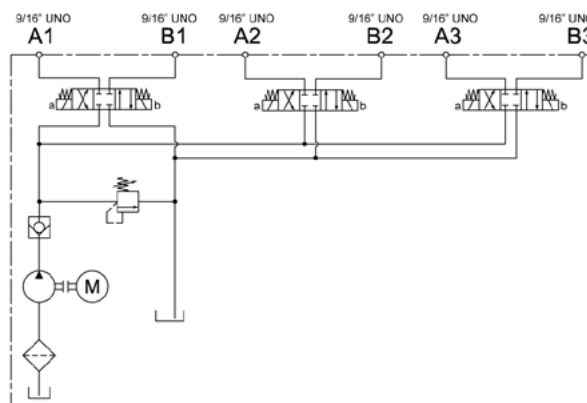
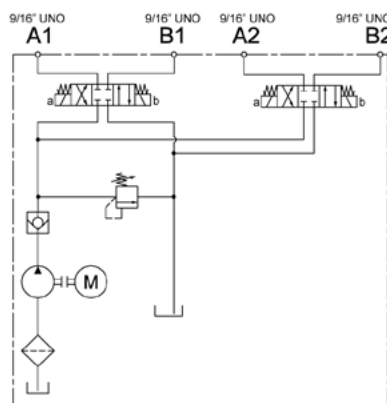
Part #	Power	Volts	Function	Pump	Ports	Tank Usable	Relief Set	Max Pressure
16DA133ZH213B SV	1.6 kW	12v	3 x D/A	2.1 cc	1/4" BSP	10 L	2200 psi	3000 psi
16DB133ZH213B SV	2.2 kW	24v	3 x D/A	2.1 cc	1/4" BSP	10 L	2200 psi	3000 psi



132

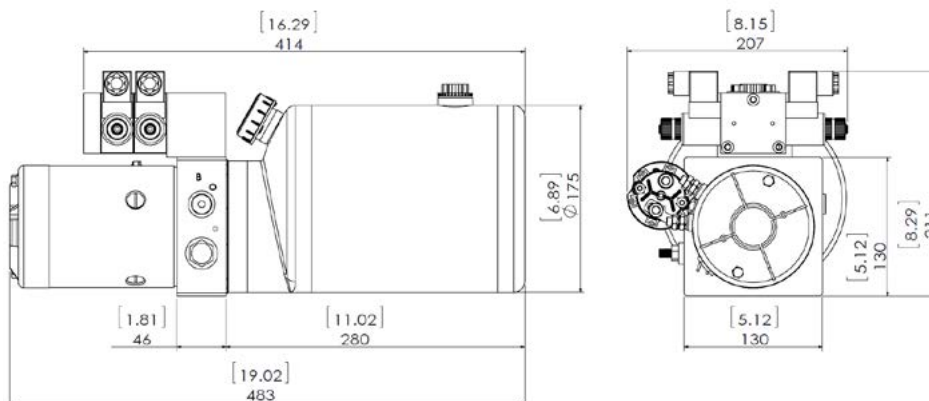


133



### Dimensions (mm)

Tank	Length	Width	Height
3.8 L	483	207	211
5.7 L	553	207	211
7.5 L	483	207	211
10 L	540	207	211
15 L	713	207	211



### High Power 2.5 kW Power Unit (DC)

Intermittent use only | Full range of tank size options on page 66

TECH DATA

TECH DATA

TECH DATA

TECH DATA

TECH DATA

TECH DATA

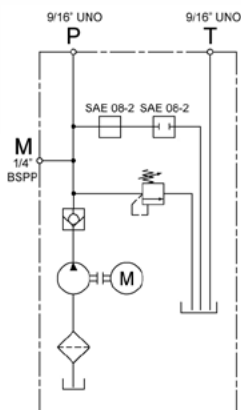
Part #	Power	Volts	Function	Pump	Ports	Tank Usable	Relief Set	Max Pressure
25DA010H323B	2.5 kW	12v	P + T	3.2 cc	9/16" UNO	10 L	2500 psi	3000 psi
25DA030H323B	2.5 kW	12v	S/A	3.2 cc	9/16" UNO	10 L	2500 psi	3000 psi
25DA131ZH323B	2.5 kW	12v	D/A	3.2 cc	9/16" UNO	10 L	2500 psi	3000 psi
25DB010H323B	2.8 kW	24v	P + T	3.2 cc	9/16" UNO	10 L	2500 psi	3000 psi
25DB030H323B	2.8 kW	24v	S/A	3.2 cc	9/16" UNO	10 L	2500 psi	3000 psi
25DB131ZH323B	2.8 kW	24v	D/A	3.2 cc	9/16" UNO	10 L	2500 psi	3000 psi



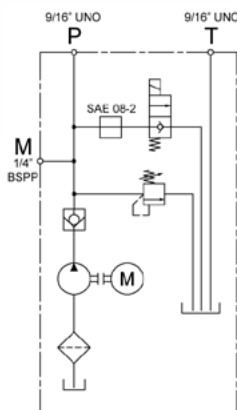
### Dimensions (mm)

Part	Length	Width	Height
DA010	549	200	200
DB010	583	200	200
DA030	549	200	200
DB030	583	200	200
DA131	549	210	220
DB131	583	210	220

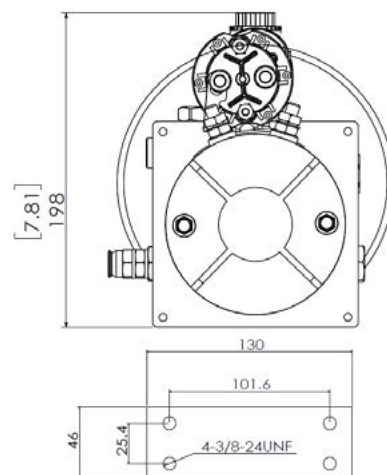
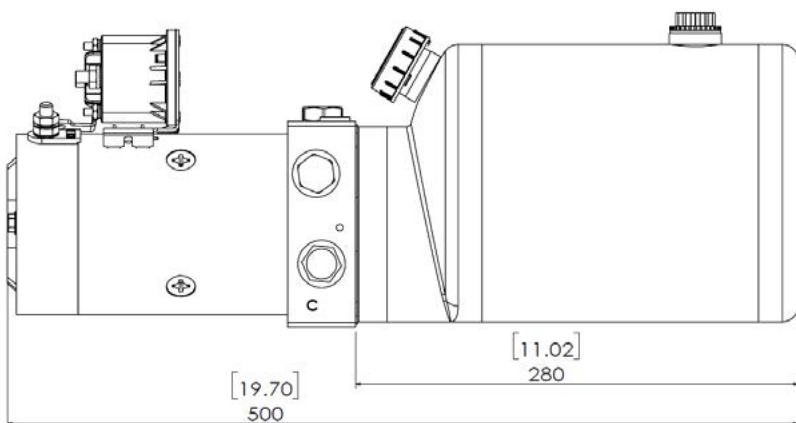
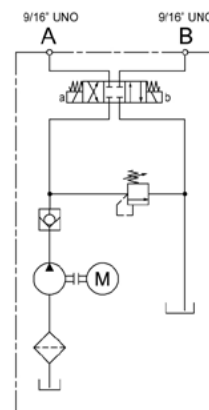
010



030



131



### High Power 3 kW Power Unit (DC)

Intermittent use only | 500 amp heavy duty start solenoid

TECH DATA  
TECH DATA  
TECH DATA

Part #	Power	Volts	Function	Pump	Ports	Tank Usable	Relief Set	Max Pressure
30DA010H373B	3.0 kW	12v	P + T	3.7 cc	9/16" UNO	10 L	2500 psi	3000 psi
30DA030H373B	3.0 kW	12v	S/A	3.7 cc	9/16" UNO	10 L	2500 psi	3000 psi
30DA131ZH373B	3.0 kW	12v	D/A	3.7 cc	9/16" UNO	10 L	3000 psi	3000 psi



#### Dimensions (mm)

Part	Length	Width	Height
010	622	200	231
030	622	200	231
131	644	224	210

### High Power 4 kW Power Unit (DC)

Intermittent use only | High powered & cooled for longer run-time

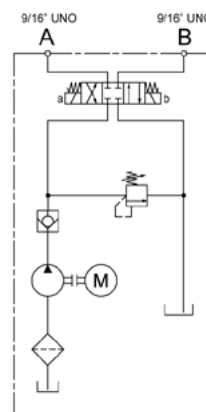
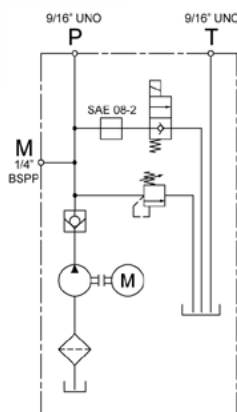
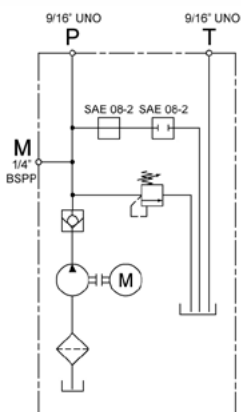
TECH DATA  
TECH DATA  
TECH DATA

Part #	Power	Volts	Function	Pump	Ports	Tank Usable	Relief Set	Max Pressure
40DB010H423B	4.0 kW	24v	P + T	4.2 cc	9/16" UNO	10 L	2500 psi	3000 psi
40DB030H423B	4.0 kW	24v	S/A	4.2 cc	9/16" UNO	10 L	2500 psi	3000 psi
40DB131ZH423B	4.0 kW	24v	D/A	4.2 cc	9/16" UNO	10 L	2500 psi	3000 psi



#### Dimensions (mm)

Part	Length	Width	Height
010	678	200	232
030	678	200	232
131	678	210	239



### Power Unit 1.1 kW (AC) 240v

Intermittent use only | D/A has 24v DC coils unless specified

Part #	Power	Volts	Function	Pump	Ports	Tank Usable	Relief Set	Max Pressure
15AA010H112B	1.1 kW	240v	P + T	1.1 cc	9/16" UNO	7.5 L	2500 psi	3000 psi
15AA131CH112B	1.1 kW	240v	D/A	1.1 cc	9/16" UNO	7.5 L	2500 psi	3000 psi

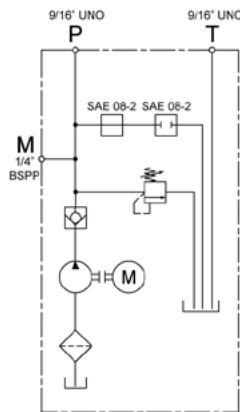
TECH DATA

TECH DATA

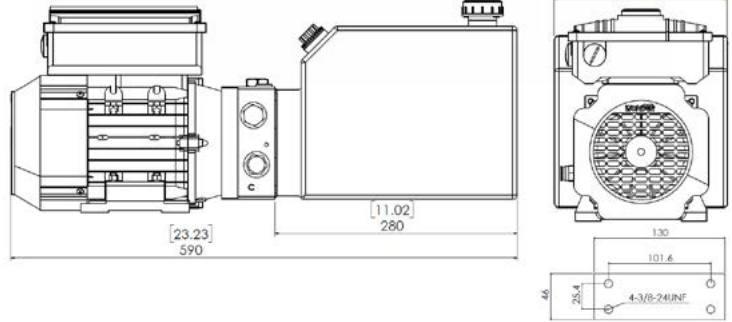


#### Dimensions (mm)

Part	Length	Width	Height
010	590	200	238
131	590	210	238



010



### Power Unit 2.2 kW (AC) 240v

Intermittent use only | D/A has 24v DC coils unless specified

Part #	Power	Volts	Function	Pump	Ports	Tank Usable	Relief Set	Max Pressure
30AA010H213B	2.2 kW	240v	P + T	2.1 cc	9/16" UNO	10 L	2500 psi	3000 psi
30AA131CH213B	2.2 kW	240v	D/A	2.1 cc	9/16" UNO	10 L	2500 psi	3000 psi

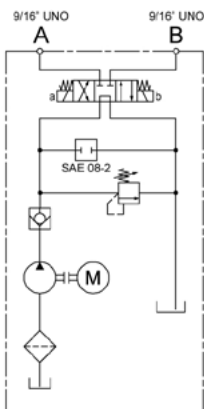
TECH DATA

TECH DATA

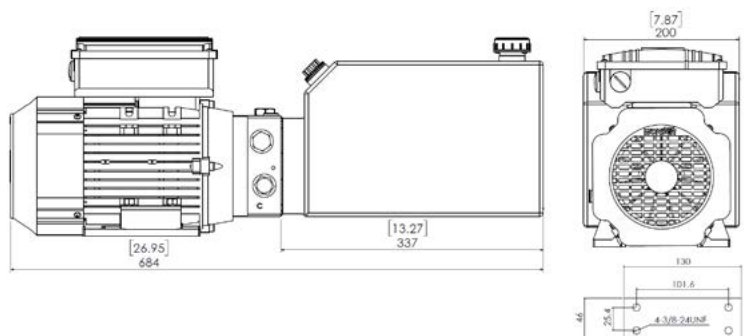


#### Dimensions (mm)

Part	Length	Width	Height
010	689	200	256
131	689	210	256



131



### Power Unit 1.1 kW (AC) 415v

Intermittent use only | D/A has 24v DC coils unless specified

Part #	Power	Volts	Function	Pump	Ports	Tank Usable	Relief Set	Max Pressure
15AC010H112B	1.1 kW	415v	P + T	1.1 cc	9/16" UNO	7.5 L	2500 psi	3000 psi
15AC131CH112B	1.1 kW	415v	D/A	1.1 cc	9/16" UNO	7.5 L	2500 psi	3000 psi

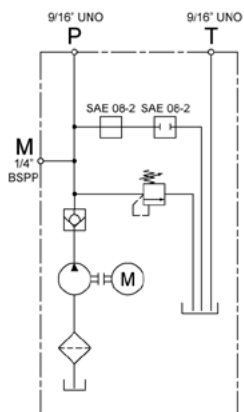
TECH DATA

TECH DATA

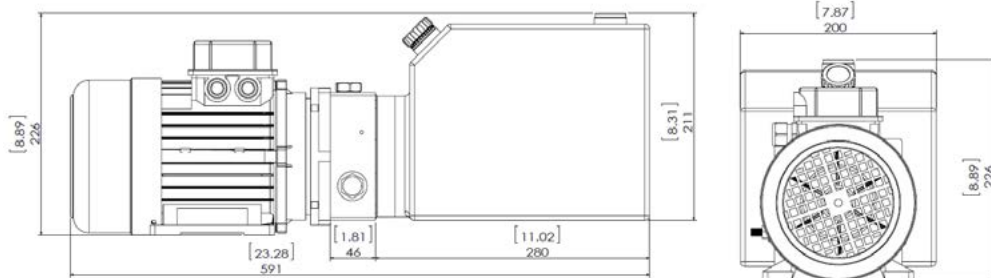


#### Dimensions (mm)

Part	Length	Width	Height
010	591	200	226
131	591	210	245



010



### Power Unit 2.2 kW (AC) 415v

Intermittent use only | D/A has 24v DC coils unless specified

Part #	Power	Volts	Function	Pump	Ports	Tank Usable	Relief Set	Max Pressure
30AC010H213B	2.2 kW	415v	P + T	2.1 cc	9/16" UNO	10 L	3000 psi	3000 psi
30AC131CH213B	2.2 kW	415v	D/A	2.1 cc	9/16" UNO	10 L	2500 psi	3000 psi

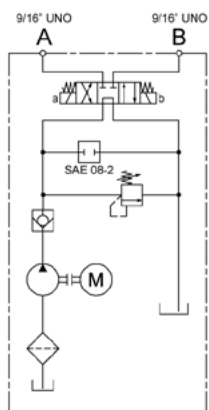
TECH DATA

TECH DATA

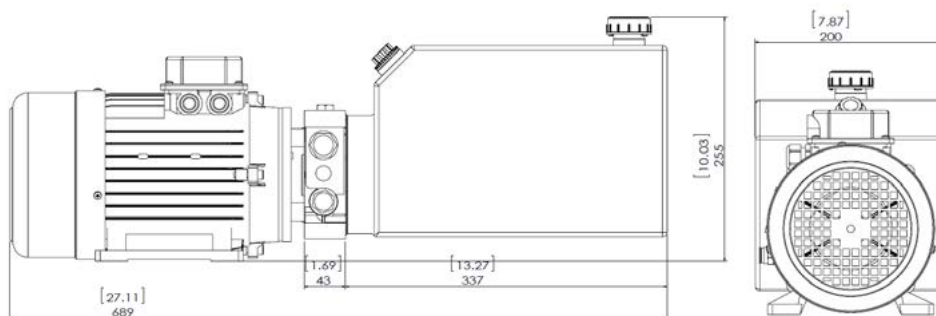


#### Dimensions (mm)

Part	Length	Width	Height
010	689	200	255
131	689	210	255



131



### Power Unit 3.0 kW (AC) 415v

Intermittent use only | D/A has 24v DC coils unless specified

Part #	Power	Volts	Function	Pump	Ports	Tank Usable	Relief Set	Max Pressure
40AC010H273B	3 kW	415v	P + T	2.7 cc	9/16" UNO	10 L	2800 psi	3000 psi
40AC131CH273B	3 kW	415v	D/A	2.7 cc	9/16" UNO	10 L	2500 psi	3000 psi

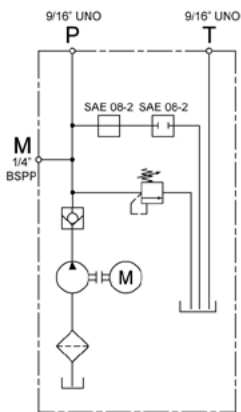
TECH DATA

TECH DATA

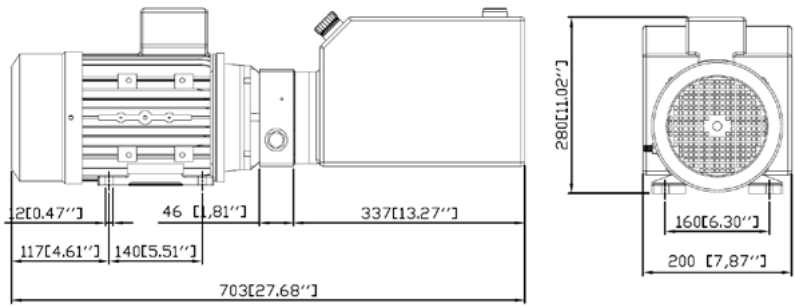


#### Dimensions (mm)

Part	Length	Width	Height
010	703	200	280
131	703	216	258



010



### Power Unit 4.0 kW (AC) 415v

Intermittent use only | D/A has 24v DC coils unless specified

Part #	Power	Volts	Function	Pump	Ports	Tank Usable	Relief Set	Max Pressure
50AC010H373B	4 kW	415v	P + T	3.7 cc	9/16" UNO	10 L	2500 psi	3000 psi
50AC131CH373B	4 kW	415v	D/A	3.7 cc	9/16" UNO	10 L	2500 psi	3000 psi

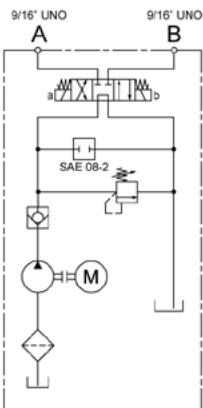
TECH DATA

TECH DATA

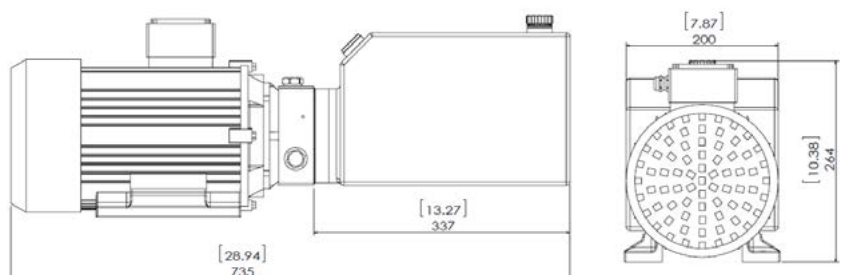


#### Dimensions (mm)

Part	Length	Width	Height
010	739	200	264
131	739	210	263



131

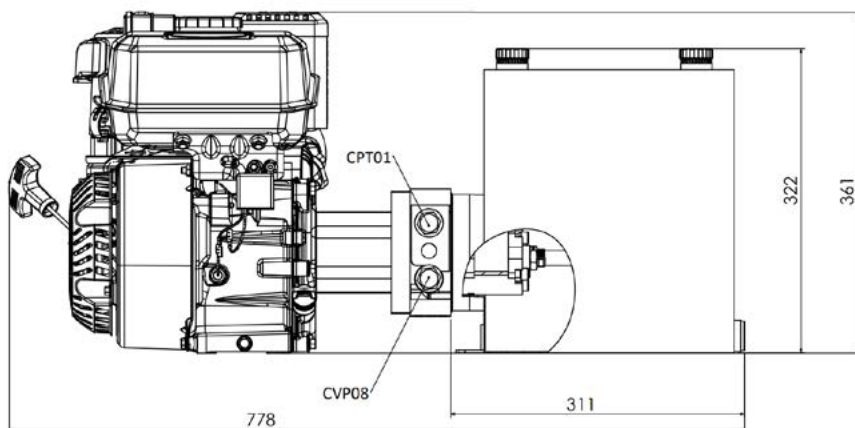
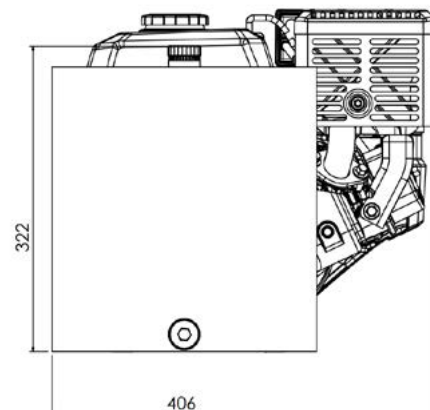


### Engine Power Unit 6HP

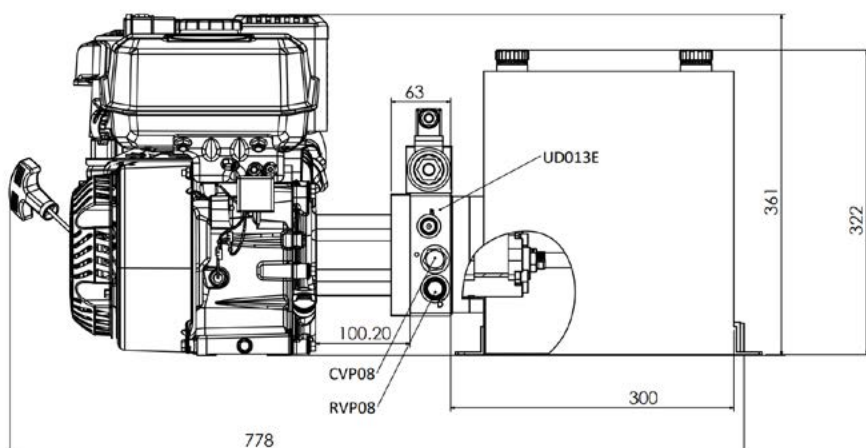
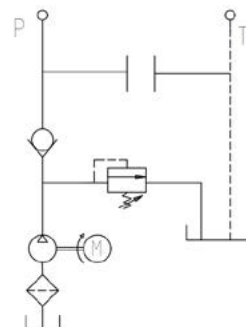
TECH DATA

TECH DATA

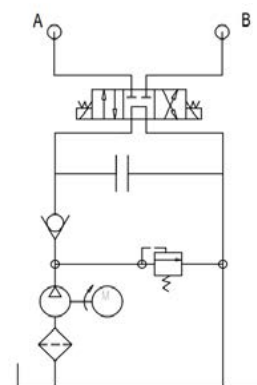
Part #	Power	Fuel	Function	Pump	Ports	Tank Usable	Relief Set	Max Pressure
60PE010H278B	6.7 HP	Unleaded	P + T	2.7 cc	9/16" UNO	18 L	2500 psi	3000 psi
60PE131CH278B	6.7 HP	Unleaded	D/A	2.7 cc	9/16" UNO	18 L	2500 psi	3000 psi



60PE010H278B



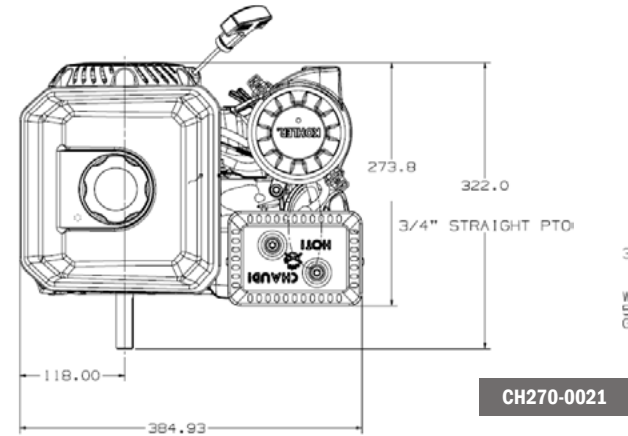
60PE131CH278B



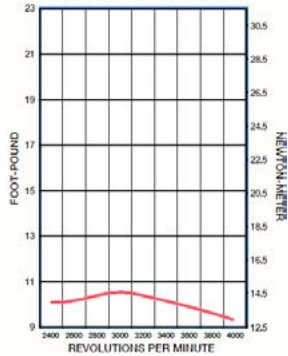
**TECH  
DATA**

### Petrol Engines

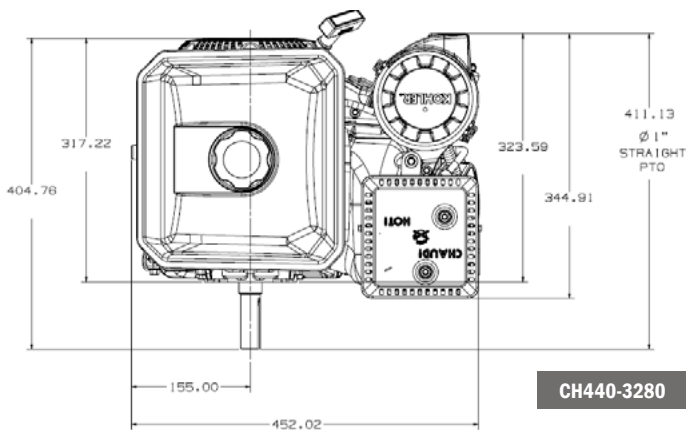
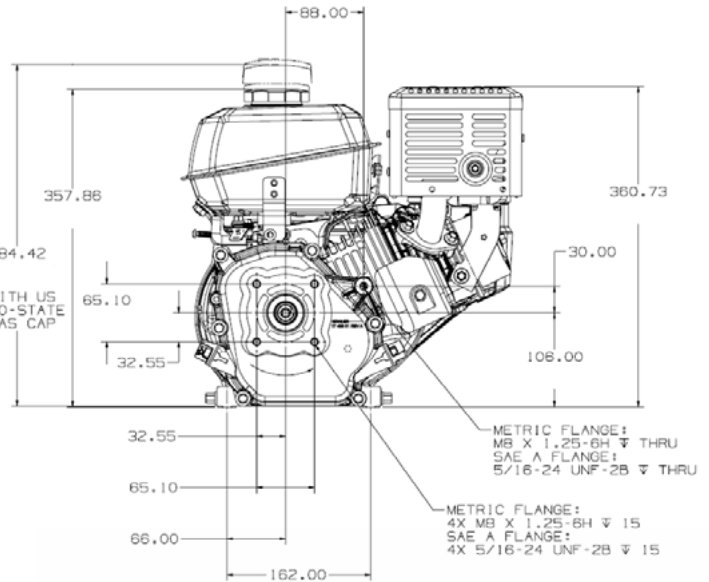
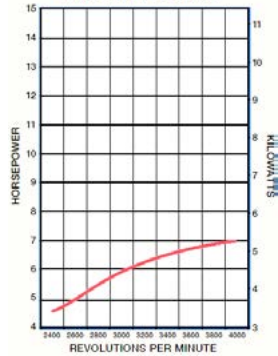
Part #	Make	Fuel	Power	Start	Engine Mount BCD	Mounting Spigot	Shaft	Key
CH270-0021	Kohler	Unleaded	6.7HP @ 3600rpm	Pull/elec	92mm	-	3/4"	3/16"
CH440-3280	Kohler	Unleaded	14HP @ 3600rpm	Pull/elec	127mm	146mm	1"	1/4"



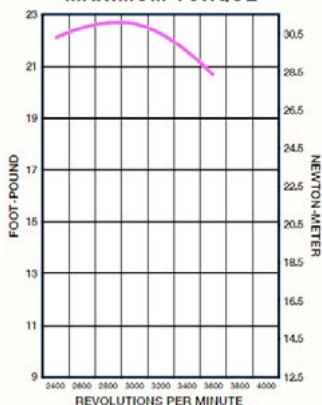
**MAXIMUM TORQUE**



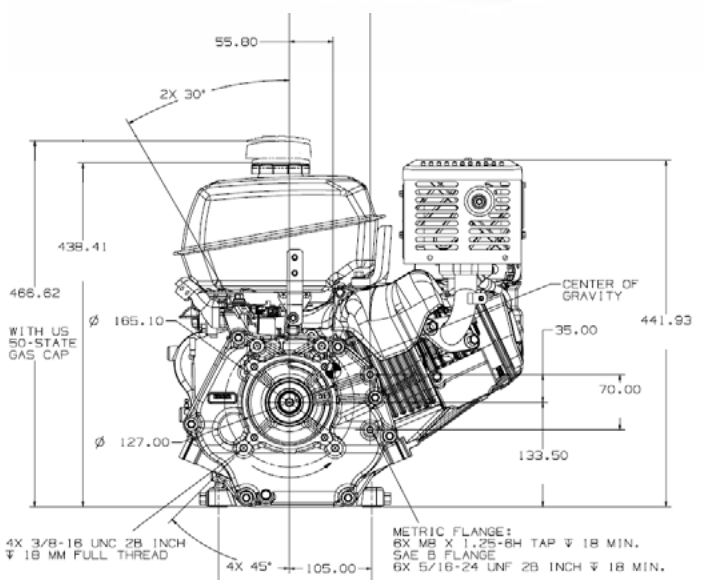
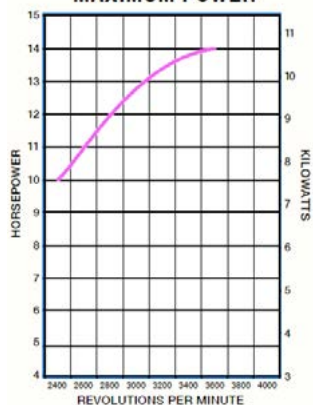
**MAXIMUM POWER**



**MAXIMUM TORQUE**



**MAXIMUM POWER**

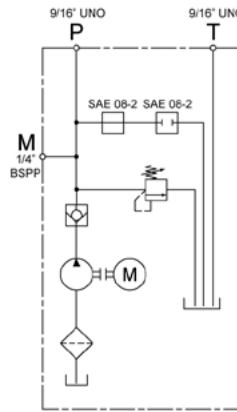




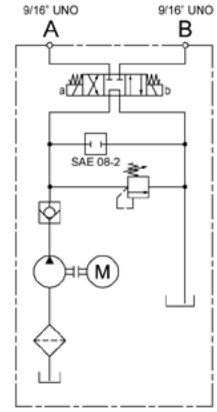
**TECH  
DATA**

### Power Unit Kits to suit Petrol or Diesel Engines

Part #	Function	Pump Group	Pump	Tank	Ports	Engine Mount BCD	Shaft	Key	Max Pressure
GEU(07)010H278B	P + T	Group 1	2.7cc	18 L	9/16" UNO	92mm	3/4"	3/16"	3000 psi
GEU(07)131CH278B	D/A	Group 1	2.7cc	18 L	9/16" UNO	92mm	3/4"	3/16"	3000 psi
GEU(14)010H278B	P + T	Group 1	2.7cc	18 L	9/16" UNO	127mm	1"	1/4"	3000 psi
GEU(14)131CH278B	D/A	Group 1	2.7cc	18 L	9/16" UNO	127mm	1"	1/4"	3000 psi



010



131

SERIES	MOUNT	FUNCTION	VALVE TYPE	UNLOAD	SUCTION	PUMP	TANK	SPECIAL
GEU	(07)	010	-	-	H	27	8B	-

#### MOUNT

(07)	92mm BCD 3/4" shaft
(14)	127mm BCD 1" shaft

#### FUNCTION

010	P & T
030	Single acting
03M	Single acting w/ override
131	1 x double acting (cetop)
132	2 x double acting (cetop)
132	2 x double acting (sandwich)
132S	2 x double acting series manifold
133	3 x double acting (sandwich)
133S	3 x double acting series manifold

Aidro brand sandwich valves must be used when the flow rate exceeds 6 L/min

#### UNLOAD VALVE

U	Unload Valve
-	No Unload

#### SUCTION

H	Horizontal Mount
---	------------------

#### VALVE TYPE

Z-1	Closed Centre (12v DC)
C-1	Tandem Centre (12v DC)
H-1	Open Centre (12v DC)
Y-1	A & B to T (12v DC)
S-1	Crossover S/A (12v DC)

Technical info - see pages 267-279

#### PUMP

27	2.7 cc
32	3.2 cc
37	3.7 cc
42	4.2 cc
48	4.8 cc
58	5.8 cc
70	7.0 cc
80	8.0 cc

Technical information - see page 65

#### TANK

8B	MT18AB 18L
1K	OTK012 21L
2K	OTK010AB 38L
4H	HR4ABC 22L
5H	HR5ABC 30L
MP	No tank
MPR	No tank, no relief

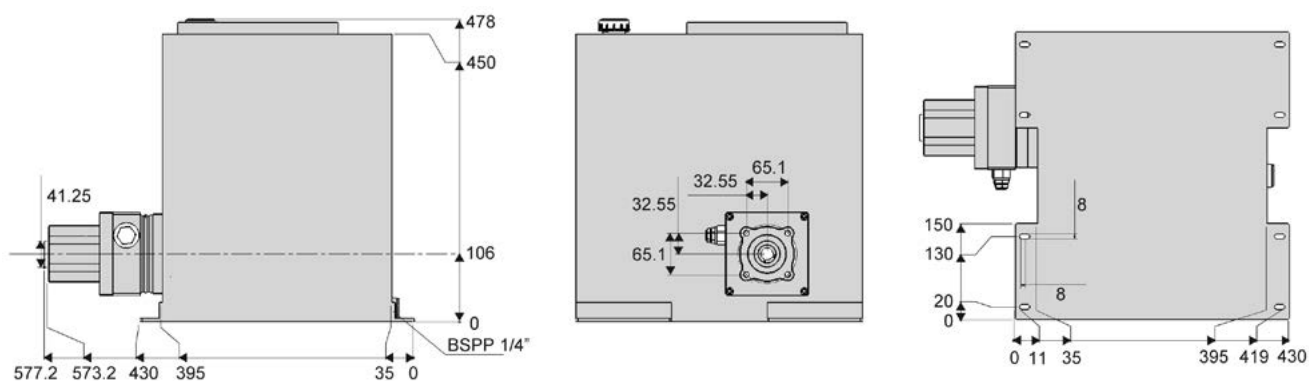
Technical information - see page 66

#### SPECIAL

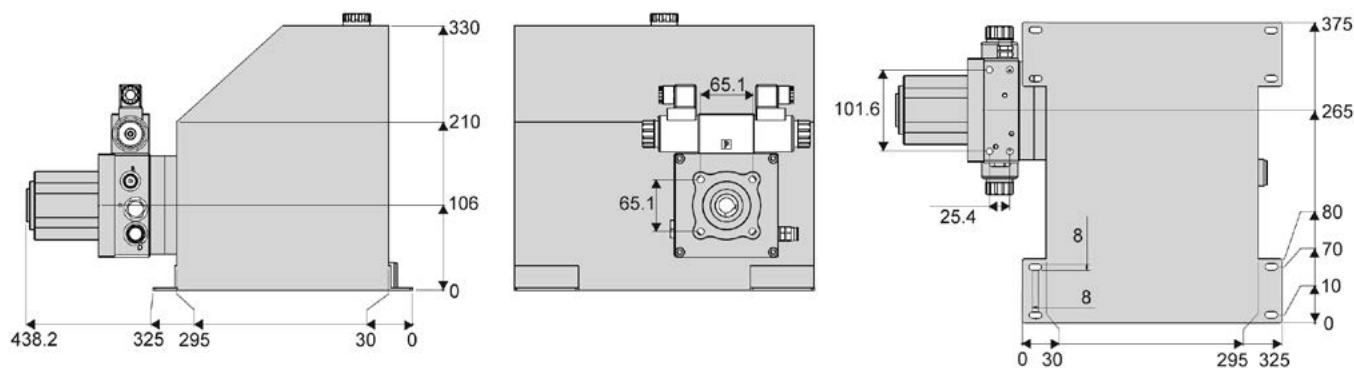
MPR	Motor pump w/ relief valve
MP	Motor pump
SV	Sandwich valve
SVHP	Sandwich valve handpump
SVM	Sandwich valve manual override
COV	Cetop override
HP	Cetop handpump
V	Vivoil pump

Multiple special options separated by /

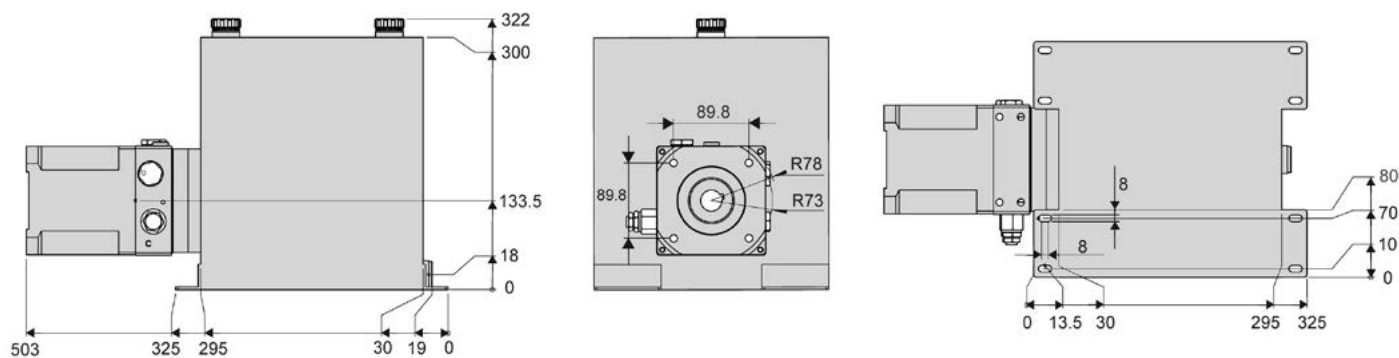
**GEU(07)010H278B**



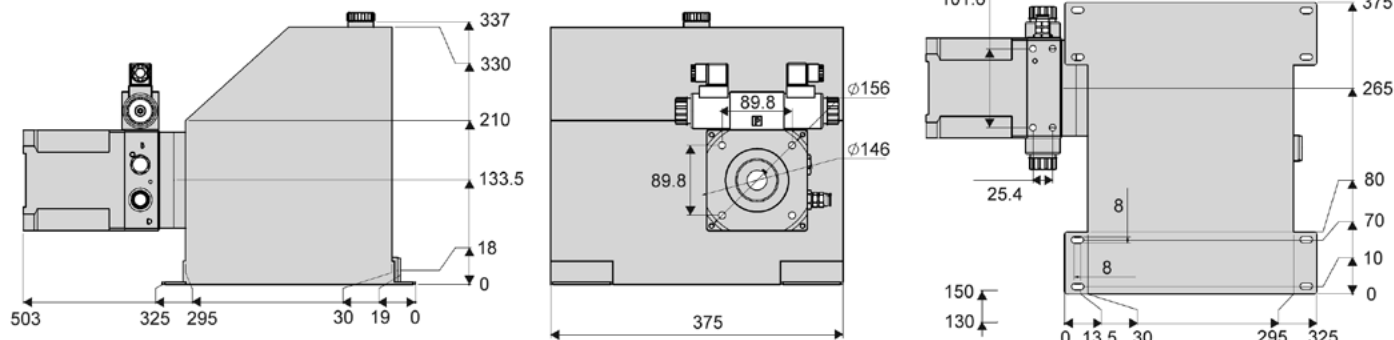
**GEU(07)131CH278B**



**GEU(14)010H278B**



**GEU(14)131CH278B**



**TECH  
DATA**

### DC Motors

Part #	Power	Voltage	Rated Current	Rated Speed	IP	Duty Cycle	
						S2	S3
235A-FS-A	350 W	12v	40a	1700 rpm	54	2 min	3%
235B-FS-A	350 W	24v	25a	1800 rpm	54	2 min	3%
308AS-2-A	800 W	12v	105a	3200 rpm	54	2 min	3%
308BS-2-A	800 W	24v	50a	3200 rpm	54	2 min	3%
416A-2	1.6 kW	12v	190a	2600 rpm	54	2 min	8%
422B-2	2.2 kW	24v	120a	2700 rpm	54	2 min	8%
425A-2	2.5 kW	12v	280a	2400 rpm	54	2 min	8%
428B-2	2.8 kW	24v	150a	3400 rpm	54	2 min	8%
530A-F	3.0 kW	12v	450a	1850 rpm	54	5 min	9%
540B-2-J	4.0 kW	24v	215a	2700 rpm	54	8 min	15%



235B



308BS



416A



428B



530A

**TECH  
DATA**

### Start Solenoids

Part #	Rated Amp	Voltage	Duty Max	Power Unit
SR3A2	250a	12v	6 min	1.6, 2.5, 4.0 kW DC
SR3B2	250a	24v	6 min	1.6, 2.5, 4.0 kW DC
SR5A2	500a	12v	6 min	3.0 kW DC 12vdc



SR3



SR5

**TECH  
DATA**

### Solenoids

Part #	Voltage	Amp	Core Size	Length	Connector
S2D12-08	12v DC	1.5a	13.3mm	37.5mm	2 wire
S2D24-08	24v DC	0.75a	13.3mm	37.5mm	2 wire
D1D12-08	12v DC	1.5a	13.3mm	37.5mm	3 pin DIN plug
D1D24-08	24v DC	0.75a	13.3mm	37.5mm	3 pin DIN plug
D1A220-08	220v AC	0.08a	13.3mm	37.5mm	3 pin DIN plug



S2D



D1D

**DIN plugs  
on page 79**

**TECH DATA**
**AC Motors Standard Series (240v)**

Part #	Power	Voltage	Amp Draw	Speed	Frame
E11S-2-80-B34	1.1 kW	220/240v	6.7a	2800 rpm	80
E22S-2-90L-B34	2.2 kW	220/240v	9.7a	2800 rpm	90

**Cross Reference To Power Unit Part #**

15AA	E11S-2-80-B34
30AA	E22S-2-90L-B34


**TECH DATA**
**AC Motors Standard Series (415v)**

Part #	Power	Voltage	Amp Draw	Speed	Frame
E11T-2-80-B34	1.1 kW	380/415v	2.49a	2800 rpm	80
E22T-2-90L-B34	2.2 kW	380/415v	4.67a	2800 rpm	90
E30T-2-100L-B34	3.0 kW	380/415v	6.22a	2800 rpm	100
E40T-2-112M-B34	4.0 kW	380/415v	10.5a	2800 rpm	112

**Cross Reference To Power Unit Part #**

15AC	E11T-2-80-B34
30AC	E22T-2-90L-B34
40AC	E30T-2-100L-B34
50AC	E40T-2-112M-B34


**TECH DATA**
**AC Motors BP13 Series (240v AC) IP55**

Part #	Power	Full Load	RPM	Frame	Shaft
EM1-4-0.25-14-71-B34	0.25 kW	1.9 amp	1320	71	14 mm
EM1-4-0.37-14-71-B34	0.37 kW	2.7 amp	1380	71	14 mm
EM1-4-0.55-19-80-B34	0.55 kW	3.6 amp	1400	80	19 mm
EM1-4-0.75-19-80-B34	0.75 kW	4.5 amp	1410	80	19 mm
EM1-4-1.1-24-90-B34	1.1 kW	6.5 amp	1410	90	24 mm
EM1-4-1.5-24-90-B34	1.5 kW	8.7 amp	1420	90	24 mm
EM1-4-2.2-28-100-B34	2.2 kW	12.1 amp	1430	100	28 mm
EM1-4-3-28-100-B34	3 kW	16.3 amp	1440	100	28 mm
EM-4-3.7-28-100-B34	3.7 kW	19.8 amp	1440	100	28 mm


**TECH DATA**
**AC Motors BP13 Series (415v AC) IP55**

Part #	Power	Full Load	RPM	Frame	Shaft
EM3-4-0.25-14-71-B34	0.25 kW	0.75 amp	1380	71	14 mm
EM3-4-0.37-14-71-B34	0.37 kW	1.03 amp	1380	71	14 mm
EM3-4-0.55-14-71-B34	0.55 kW	1.60 amp	1400	80	19 mm
EM3-4-0.55-19-80-B34	0.55 kW	1.63 amp	1400	80	19 mm
EM3-4-0.75-19-80-B34	0.75 kW	1.94 amp	1410	90	24 mm
EM3-4-1.1-24-90-B34	1.1 kW	2.6 amp	1410	90	24 mm
EM3-4-1.5-24-90-B34	1.5 kW	3.4 amp	1420	90	24 mm
EM3-4-2.2-24-90-B34	2.2 kW	5.1 amp	1430	90	24 mm
EM3-4-2.2-28-100-B34	2.2 kW	4.6 amp	1430	100	28 mm
EM3-4-3-28-100-B34	3.0 kW	6.3 amp	1440	100	28 mm
EM3-4-4-28-112-B34	4.0 kW	8.2 amp	1440	100	28 mm



**TECH  
DATA**

### Gear Pumps - Premium Tang Drive

Part #	CC	Max Pressure	Min Speed	Max Speed
B1P1643HZZB	0.91	240 bar	700 rpm	4000 rpm
B1P1743HZZB	1.17	250 bar	700 rpm	4000 rpm
B1P1843HZZB	1.56	250 bar	700 rpm	4000 rpm
B1P2043HZZB	2.08	250 bar	700 rpm	4000 rpm
B1P2143HZZB	2.60	250 bar	700 rpm	4000 rpm
B1P2343HZZB	3.12	220 bar	700 rpm	4000 rpm
B1P2543HZZB	3.64	220 bar	700 rpm	4000 rpm
B1P2743HZZB	4.16	200 bar	700 rpm	4000 rpm
B1P3143HZZB	5.85	170 bar	700 rpm	3500 rpm
B1P3443HZZB	7.54	110 bar	700 rpm	3500 rpm



**TECH  
DATA**

### Gear Pumps - Standard Tang Drive

Part #	CC	Max Pressure	Min Speed	Max Speed
G110	1.1	200 bar	600 rpm	6000 rpm
G160	1.6	200 bar	600 rpm	6000 rpm
G210	2.1	200 bar	600 rpm	6000 rpm
G270	2.7	200 bar	600 rpm	6000 rpm
G320	3.2	200 bar	600 rpm	5000 rpm
G370	3.7	200 bar	600 rpm	4500 rpm
G420	4.2	200 bar	600 rpm	4000 rpm
G480	4.8	160 bar	600 rpm	3500 rpm
G580	5.8	160 bar	600 rpm	2900 rpm
G800	8	160 bar	600 rpm	2100 rpm



**TECH  
DATA**

### Gear Pumps - Premium Cylindrical, BP13 Series / Petrol Power Units

Part #	CC	Max Pressure	Max / Min Speed
7P1644003	0.91	240 bar	700/6000 rpm
7P1744002	1.17	250 bar	700/6000 rpm
7P1844003	1.56	250 bar	700/6000 rpm
7P2044002	2.08	250 bar	700/6000 rpm
7P2144001	2.60	250 bar	700/6000 rpm
7P2344002	3.12	250 bar	700/6000 rpm
7P2544001	3.64	250 bar	700/6000 rpm
7P2744001	4.16	250 bar	700/6000 rpm
7P2944001	4.94	250 bar	700/6000 rpm
7P3144002	5.85	250 bar	700/5000 rpm
7P3244001	6.50	250 bar	700/5000 rpm
7P3444003	7.54	220 bar	700/5000 rpm
7P3644001	9.88	181 bar	700/4000 rpm



**TECH  
DATA**

### Gear Pumps - Standard Cylindrical, BP 13 Series / Petrol Power Units

Part #	CC	Max Pressure	Min Speed	Max Speed
G110S-S1	1.1	230 bar	600 rpm	6000 rpm
G210S-S1	2.1	230 bar	600 rpm	6000 rpm
G270S-S1	2.7	230 bar	600 rpm	6000 rpm
G380S-S1	3.8	210 bar	600 rpm	4500 rpm
G420S-S1	4.2	210 bar	600 rpm	4000 rpm
G480S-S1	4.8	190 bar	600 rpm	3500 rpm
G580S-S1	5.8	190 bar	600 rpm	3000 rpm
G800S-S1	8	160 bar	600 rpm	2100 rpm



**TECH DATA**

**Power Unit Tank - MS Series - Steel**

Part #	Usable Litres	Length	Cylinder ø
MS1AB	1.0 L	150mm	123mm
MS2AB	1.4 L	200mm	123mm
MS4AB	2.4 L	300mm	123mm
MS6AB	3.3 L	400mm	123mm



**TECH DATA**

**Power Unit Tank - LS Series - Steel**

Part #	Usable Litres	Length	Cylinder ø
LS0AB	3.0 L	240mm	175mm
LS1AB	3.8 L	280mm	175mm
LS2AB	5.7 L	350mm	175mm



**TECH DATA**

**Power Unit Tank - MT Series - Steel**

Part #	Usable Litres	Length	Width	Height
MT0AB	2.5 L	160mm	140mm	220mm
MT2AB	7.5 L	280mm	200mm	200mm
MT3AB	10 L	337mm	200mm	200mm
MT4AB	12 L	395mm	200mm	200mm
MT5AB	15 L	510mm	200mm	200mm
MT6AB	19 L	625mm	200mm	200mm
MT18AB	18 L	300mm	280mm	300mm



**TECH DATA**

**Power Unit Tank - HR Series - Steel**

Part #	Usable Litres	Length	Width	Height
HR4ABC	26 L	350mm	250mm	300mm
HR5ABC	35 L	470mm	250mm	300mm
HR6ABC	42 L	570mm	250mm	300mm



**TECH DATA**

**Power Unit Tank - RP Series - Nylon**

Part #	Usable Litres	Length	Width	Height
RP0AB	3 L	200mm	180mm	180mm
RP2AB	6 L	335mm	180mm	180mm



All tank measurements on this page include tank flange

**TECH DATA**

**Power Unit Tank Accessories**

Part #	Description
PUMT	Suits all power units with 130mm centre manifold
TKBR	Tank breather 3/4" NPT
TKBP	Tank plug 3/4" NPT
FLST120	Weld flange for power unit mount
DMC01	DC power unit dust cover



PUMT



TKBR



TKBP



FLST120



DMC01





## MELBOURNE

**ADDRESS**

23 Quinlan Rd, Epping, VIC 3076

**EMAIL**

[sales@hydraulicsnetwork.com.au](mailto:sales@hydraulicsnetwork.com.au)

**PHONE**

03 9399 8957

## VERMONT

**ADDRESS**

5/137-145 Rooks Rd, Vermont, VIC 3133

**EMAIL**

[salessev@hydraulicsint.com.au](mailto:salessev@hydraulicsint.com.au)

**PHONE**

03 9874 1155

## BRISBANE

**ADDRESS**

19 Silvio St, Richlands, QLD 4077

**EMAIL**

[salesqld@hydraulicsnetwork.com.au](mailto:salesqld@hydraulicsnetwork.com.au)

**PHONE**

07 3277 5969

## PERTH

**ADDRESS**

2/44 Vinnicombe Dr, Canning Vale, WA 6155

**EMAIL**

[saleswa@hydraulicsnetwork.com.au](mailto:saleswa@hydraulicsnetwork.com.au)

**PHONE**

08 6385 3555

[www.hydraulicsnetwork.com.au](http://www.hydraulicsnetwork.com.au)