

Hydraulics Network



HYDRAULIC POWER UNITS

2023



OIL SOLUTIONS

PO Box 38
Strathfieldsaye, VIC, 3551
1800 OIL SOL
1800 645 765

sales@oilsolutions.com.au

www.oilsolutions.com.au

"For All Your Hydraulic Needs"



Total Price = GROUP 1 \$ + GROUP 2 \$ + GROUP 3 \$ + GROUP 4 \$

Note: These prices are a guide only, as every industrial power unit has different specifications. Please contact us for a detailed quotation.

GROUP 1 - Motor

Motor Size	List Price \$	Volts	Details
0.55 kW		240v AC	The pricing within this group incorporates components arranged within the electric motor: Motor Coupling Bell Housing Gaskets
0.75 kW		240v AC	
1.1 kW		240v AC	
1.5 kW		240v AC	
2.2 kW		240v AC	
3.0 kW		240v AC	
0.55 kW		415v AC	
0.75 kW		415v AC	
1.1 kW		415v AC	
1.5 kW		415v AC	
2.2 kW		415v AC	
3.0 kW		415v AC	
4.0 kW		415v AC	
5.5 kW		415v AC	
7.5 kW		415v AC	
9.2 kW		415v AC	
11.0 kW		415v AC	
15.0 kW		415v AC	
18.5 kW		415v AC	
22.0 kW		415v AC	
30.0 kW		415v AC	



1800-OILSOL
1800-645765

<https://oilsolutions.com.au/>

sales@oilsolutions.com.au

GROUP 2 - Pump

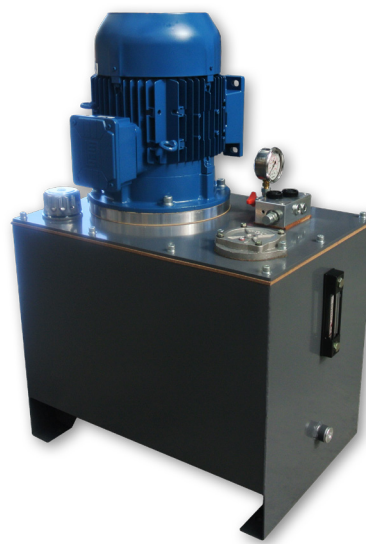
Pump	List Price \$	Details
Group 1 Pump		The pricing within this group incorporates components arranged within the pump(s) - based on Vivoil single & tandem pumps: Pump Suction Strainer Check Valve Hose & Fittings
Group 2 Pump		
Group 3 Pump		
Hi-lo Group 2/1 Tandem		
Hi-lo Group 2/2 Tandem		
Hi-lo Group 3/2 Tandem		

GROUP 3 - Tank

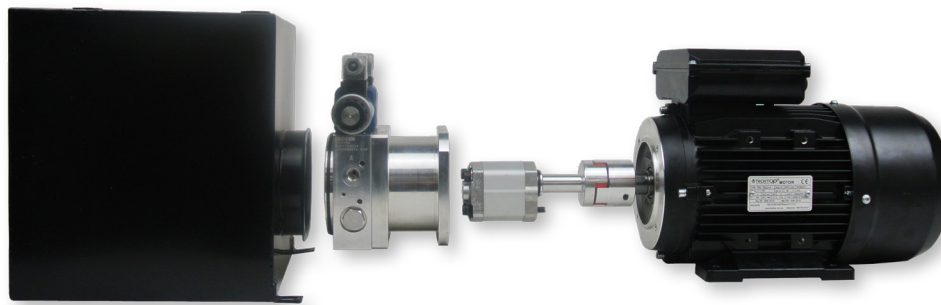
Tank	List Price \$	Details
10 L		The pricing within this group incorporates components arranged within the tank: Powder-Coated Tank & Lid Filler Breather Temperature Level Gauge Cork Gasket Return Filter (note - no return filter on 10L tank)
25 L		
40 L		
70 L		
120 L		
200 L		
300 L		
400 L		

GROUP 4 - Manifold & Valve

Valve Configuration	STANDARD RANGE (Made in China) List Price \$	PREMIUM RANGE (Made in Italy) List Price \$	Coil Options	Details
1/2" P + T Manifold			Optional coils are available on the Premium Range: 115v AC 230v AC (Add \$30 to price)	The pricing within this group incorporates components arranged within the manifold and valve: Manifold Gauge Isolator Hose & Fittings A cartridge unloader valve is included with multiple valves. A pressure gauge is included as standard with the manifold
3/4" P + T Manifold				
Cetop 3 - 1 valve				
Cetop 3 - 2 valves				
Cetop 3 - 3 valves				
Cetop 3 - 4 valves				
Cetop 3 - 5 valves				
Cetop 3 - 6 valves				
Cetop 5 - 1 valve				
Cetop 5 - 2 valves				
Cetop 5 - 3 valves				
Cetop 5 - 4 valves				
Cetop 5 - 5 valves				



Series	Motor & Voltage	Valve	Valve Type	Unload Valve	Suction	Pump CC	Tank	Special
BP13	025AA	132	E	U	H	42	5B	V



MOTOR

240v AC	
025AA	0.25 kW
037AA	0.37 kW
055AA	0.55 kW
075AA	0.75 kW
11AA	1.1 kW
15AA	1.5 kW
22AA	2.2 kW
30AA	3.0 kW
37AA	3.7 kW
415v AC	
025AC	0.25 kW
037AC	0.37 kW
055AC	0.55 kW
075AC	0.75 kW
11AC	1.1 kW
15AC	1.5 kW
22AC	2.2 kW
30AC	3.0 kW
37AC	3.7 kW
40AC	4.0 kW

All electric motors are 4 pole
For more information, see page 47

VALVE

010	P & T
030	Single Acting
03M	Single Acting w/ override
131	1 x Double Acting
132	2 x Double Acting
133	3 x Double Acting

VALVE TYPE

Dual Solenoid	Single Solenoid	Manual Lever	
Z	ZA	ZM	Closed Centre
C	CA	CM	Tandem Centre
H	HA	HM	Open Centre
Y	YA	YM	A & B to T
-	S	SM	Crossover S/A

Technical info - see pages 174-186

UNLOAD VALVE

U	Unload Valve
-	No Unload

SUCTION

H	Horizontal Mount
V	Vertical Mount

PUMP

09	0.9 cc
12	1.2 cc
17	1.7 cc
21	2.1 cc
27	2.7 cc
32	3.2 cc
37	3.7 cc
42	4.2 cc
48	4.8 cc
58	5.8 cc
70	7.0 cc
80	8.0 cc
98	9.8 cc

Technical information - see page 48

TANK

2B	MT2AB 7.5L
3B	MT3AB 10L
4B	MT4AB 12L
5B	MT5AB 15L
8B	MT18AB 18L
6B	MT6AB 19L
4H	HR4ABC 22L
5H	HR5ABC 30L
6H	HR6ABC 38L

Technical information - see page 49

SPECIAL

MPR	Motor Pump w/ Relief Valve
MP	Motor Pump No Relief
SV	Sandwich Valve
SVHP	Sandwich Valve Handpump
SVM	Sandwich Valve Manual Override
COV	CETOP Override
V	Vivoil Pump

Multiple special options separated by /

BP13 Series Power Unit - 240v AC, 0.25kW to 0.75kW

Part #	List Price \$	Power	RPM	Function	Pump	Ports	Tank Usable	Relief Set
BP13-025AA010H083B		0.25 kW	1320	P + T	0.8 cc	9/16" UNO	10 L	1600 psi
BP13-037AA010H083B		0.37 kW	1380	P + T	0.8 cc	9/16" UNO	10 L	2500 psi
BP13-055AA010H113B		0.55 kW	1400	P + T	1.1 cc	9/16" UNO	10 L	2500 psi
BP13-075AA010H113B		0.75 kW	1410	P + T	1.1 cc	9/16" UNO	10 L	2500 psi
BP13-025AA131CH083B		0.25 kW	1320	D/A	0.8 cc	9/16" UNO	10 L	1600 psi
BP13-037AA131CH083B		0.37 kW	1380	D/A	0.8 cc	9/16" UNO	10 L	2500 psi
BP13-055AA131CH113B		0.55 kW	1400	D/A	1.1 cc	9/16" UNO	10 L	2500 psi
BP13-075AA131CH113B		0.75 kW	1410	D/A	1.1 cc	9/16" UNO	10 L	2500 psi

BP13 Series Power Unit - 415v AC, 0.25kW to 0.75kW

Part #	List Price \$	Power	RPM	Function	Pump	Ports	Tank Usable	Relief Set
BP13-025AC010H083B		0.25 kW	1380	P + T	0.8 cc	9/16" UNO	10 L	1600 psi
BP13-037AC010H083B		0.37 kW	1380	P + T	0.8 cc	9/16" UNO	10 L	2500 psi
BP13-055AC010H113B		0.55 kW	1400	P + T	1.1 cc	9/16" UNO	10 L	2500 psi
BP13-075AC010H113B		0.75 kW	1410	P + T	1.1 cc	9/16" UNO	10 L	2500 psi
BP13-025AC131CH083B		0.25 kW	1380	D/A	0.8 cc	9/16" UNO	10 L	1600 psi
BP13-037AC131CH083B		0.37 kW	1380	D/A	0.8 cc	9/16" UNO	10 L	2500 psi
BP13-055AC131CH113B		0.55 kW	1400	D/A	1.1 cc	9/16" UNO	10 L	2500 psi
BP13-075AC131CH113B		0.75 kW	1410	D/A	1.1 cc	9/16" UNO	10 L	2500 psi

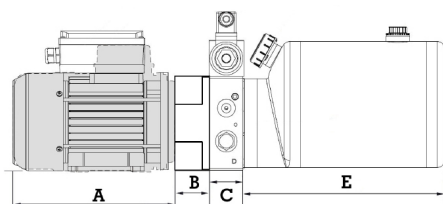


4-Pole Motor

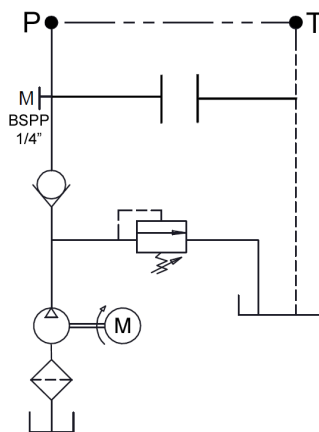
D/A has 24v DC coils (unless specified)

Size Chart

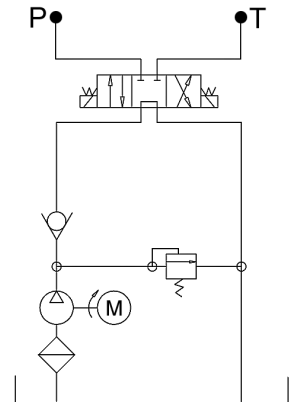
Motor Power	Dimension (mm)			
	A (240v)	A (415v)	B	C
0.25 kW	230	210	58	43
0.37 kW	225	215	58	43
0.55 kW	250	240	58	43
0.75 kW	250	240	68	43
1.1 kW	285	260	68	43



For tank dimensions (E), see page 49



010



131

BP13 Series Power Unit - 240v AC, 1.1kW to 3.7kW

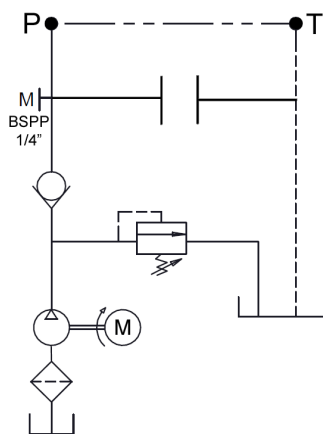
Part #	List Price \$	Power	RPM	Function	Pump	Ports	Tank Usable	Relief Set
BP13-11AA010H213B		1.1 kW	1410	P + T	2.1 cc	9/16" UNO	10 L	2500 psi
BP13-15AA010H213B		1.5 kW	1420	P + T	2.1 cc	9/16" UNO	10 L	2500 psi
BP13-22AA010H428B		2.2 kW	1430	P + T	4.2 cc	9/16" UNO	18 L	2500 psi
BP13-30AA010H588B		3.0 kW	1440	P + T	5.8 cc	9/16" UNO	18 L	2500 psi
BP13-37AA010H805H		3.7 kW	1440	P + T	8.0 cc	9/16" UNO	30 L	2500 psi
BP13-11AA131CH213B		1.1 kW	1410	D/A	2.1 cc	9/16" UNO	10 L	2500 psi
BP13-15AA131CH213B		1.5 kW	1420	D/A	2.1 cc	9/16" UNO	10 L	2500 psi
BP13-22AA131CH428B		2.2 kW	1430	D/A	4.2 cc	9/16" UNO	18 L	2500 psi
BP13-30AA131CH588B		3.0 kW	1440	D/A	5.8 cc	9/16" UNO	18 L	2500 psi
BP13-37AA131CH805H		3.7 kW	1440	D/A	8.0 cc	9/16" UNO	30 L	2500 psi

BP13 Series Power Unit - 415v AC, 1.1kW to 4.0kW

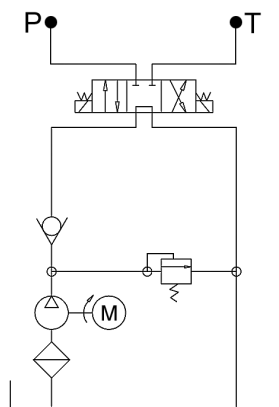
Part #	List Price \$	Power	RPM	Function	Pump	Ports	Tank Usable	Relief Set
BP13-11AC010H213B		1.1 kW	1410	P + T	2.1 cc	9/16" UNO	10 L	2500 psi
BP13-15AC010H213B		1.5 kW	1420	P + T	2.1 cc	9/16" UNO	10 L	2500 psi
BP13-22AC010H428B		2.2 kW	1430	P + T	4.2 cc	9/16" UNO	18 L	2500 psi
BP13-30AC010H588B		3.0 kW	1440	P + T	5.8 cc	9/16" UNO	18 L	2500 psi
BP13-40AC010H805H		4.0 kW	1440	P + T	8.0 cc	9/16" UNO	30 L	2500 psi
BP13-11AC131CH213B		1.1 kW	1410	D/A	2.1 cc	9/16" UNO	10 L	2500 psi
BP13-15AC131CH213B		1.5 kW	1420	D/A	2.1 cc	9/16" UNO	10 L	2500 psi
BP13-22AC131CH428B		2.2 kW	1430	D/A	4.2 cc	9/16" UNO	18 L	2500 psi
BP13-30AC131CH584H		3.0 kW	1440	D/A	5.8 cc	9/16" UNO	18 L	2500 psi
BP13-40AC131CH805H		4.0 kW	1440	D/A	8.0 cc	9/16" UNO	30 L	2500 psi

4-Pole Motor

D/A has 24v DC coils
(unless specified)



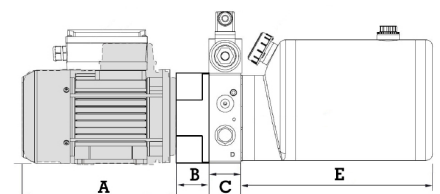
010



131

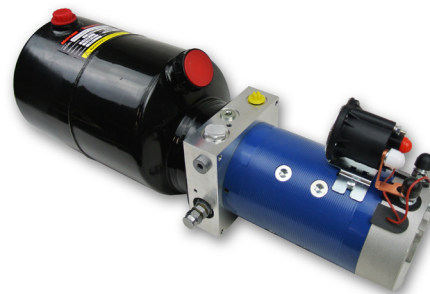
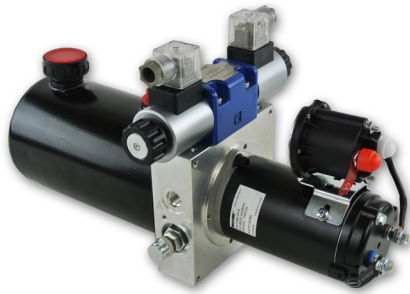
Size Chart

Motor Power	Dimension (mm)			
	A (240v)	A (415v)	B	C
1.1 kW	285	260	68	43
1.5 kW	315	290	68	43
2.2 kW	340	320	90	43
3.0 kW	360	320	90	43
3.7 kW	370	370	90	43
4.0 kW	n/a	335	90	43



For tank dimensions (E), see page 49

Part #	Motor/Voltage	Valve	Valve Type	Unload Valve	Suction	Pump CC	Tank	Special
	16DA	131	Z	U	H	21	2A	V



MOTOR	
03DA	350W/12v DC 1700 rpm
03DB	350W/24v DC 1800 rpm
08DA	800W/12v DC 3200 rpm
08DB	800W/24v DC 3200 rpm
16DA	1.6kW/12v DC 2600 rpm
16DB	2.2kW/24v DC 2700 rpm
25DA	2.5kW/12v DC 2400 rpm
25DB	2.8kW/24v DC 3400 rpm
30DA	3.0kW/12v DC 1850 rpm
40DB	4.0kW/24v DC 2700 rpm
15AA	1.1kW/240v AC 2800 rpm
30AA	2.2kW/240v AC 2800 rpm
15AC	1.1kW/415v AC 2800 rpm
30AC	2.2kW/415v AC 2800 rpm
40AC	3.0kW/415v AC 2800 rpm
50AC	4.0kW/415v AC 2800 rpm
60PE	6.0 HP Petrol Electric start 3000 rpm
60DE	6.7 HP Diesel Electric start 2800 rpm

Technical information - see page 46

VALVE	
010	P & T
030	Single Acting
03M	Single Acting w/ override
131	1 x Double Acting (Cetop)
132	2 x Double Acting (Cetop)
132	2 x Double Acting (Sandwich)
133	3 x Double Acting (Sandwich)
134	4 x Double Acting (Sandwich)
135	5 x Double Acting (Sandwich)
136	6 x Double Acting (Sandwich)

VALVE TYPE			
Dual Solenoid	Single Solenoid	Manual Lever	
Z	ZA	ZM	Closed Centre
C	CA	CM	Tandem Centre
H	HA	HM	Open Centre
Y	YA	YM	A & B to T
-	S	SM	Crossover S/A

Technical info - see pages 174-186

UNLOAD VALVE	
U	Unload Valve
-	No Unload

SUCTION	
H	Horizontal Mount
V	Vertical Mount

PUMP	
037	0.37 cc
075	0.75 cc
08	0.8 cc
11	1.1 cc
16	1.6 cc
21	2.1 cc
27	2.7 cc
32	3.2 cc
37	3.7 cc
42	4.2 cc
48	4.8 cc
58	5.8 cc
70	7.0 cc
80	8.0 cc

Technical information - see page 48

TANK	
1S	MS1AB 1L useable
2S	MS2AB 1.4L useable
4S	MS4AB 2.4L useable
0B	MT0AB 2.5L
0P	RPOAB 2.5L
0A	LS0AB 3.0L
6S	MS6AB 3.3L
1A	LS1AB 3.8L
2A	LS2AB 5.7L
2B	MT2AB 7.5L
3B	MT3AB 10L
4B	MT4AB 12L
5B	MT5AB 15L
6B	MT6AB 19L
8B	MT18AB 18L (for petrol/diesel)
1K	OTK012 21L (for petrol/diesel)
4H	HR4ABC 22L
5H	HR5ABC 30L
6H	HR6ABC 38L

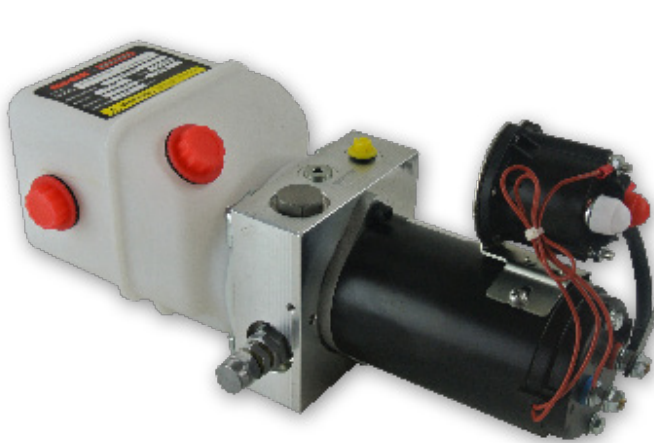
Technical information - see page 49

SPECIAL	
MPR	Motor Pump w/ Relief Valve
MP	Motor Pump No Relief
SV	Sandwich Valve
SVHP	Sandwich Valve Handpump
SVM	Sandwich Valve Manual Override
COV	CETOP Override
V	Vivoil Pump

Multiple special options separated by /

Micro Power Unit 350 Watt DC - Maximum Pressure 3000psi

Part #	List Price \$	Power	Volts	Function	Pump	Ports	Tank Usable	Relief Set
03DA010H0381P		350 W	12v	P + T	0.38 cc	9/16" UNO	1.4 L	2500 psi
03DB010H0381P		350 W	24v	P + T	0.38 cc	9/16" UNO	1.4 L	2500 psi
03DA030H0381P		350 W	12v	S/A	0.38 cc	9/16" UNO	1.4 L	2500 psi
03DB030H0381P		350 W	24v	S/A	0.38 cc	9/16" UNO	1.4 L	2500 psi
03DA131ZH0382S		350 W	12v	D/A	0.38 cc	9/16" UNO	1.4 L	2500 psi
03DB131ZH0382S		350 W	24v	D/A	0.38 cc	9/16" UNO	1.4 L	2500 psi



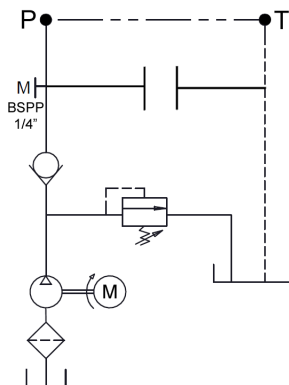
03D Series



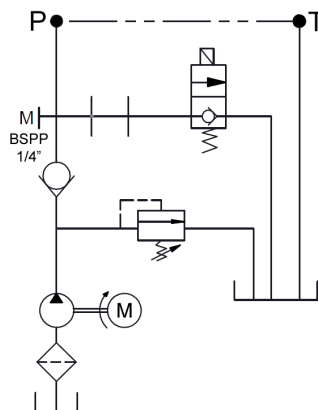
08D Series

Micro Power Unit 800 Watt DC - Maximum Pressure 3000psi

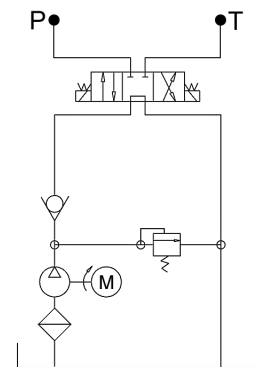
Part #	List Price \$	Power	Volts	Function	Pump	Ports	Tank Usable	Relief Set
08DA010H0751P		800 W	12v	P + T	0.75 cc	9/16" UNO	1.4 L	2500 psi
08DB010H0751P		800 W	24v	P + T	0.75 cc	9/16" UNO	1.4 L	2500 psi
08DA030H0751P		800 W	12v	S/A	0.75 cc	9/16" UNO	1.4 L	2500 psi
08DB030H0751P		800 W	24v	S/A	0.75 cc	9/16" UNO	1.4 L	2500 psi
08DA131ZH0752S		800 W	12v	D/A	0.75 cc	9/16" UNO	1.4 L	2500 psi
08DB131ZH0752S		800 W	24v	D/A	0.75 cc	9/16" UNO	1.4 L	2500 psi



010



030



131

Intermittent use only



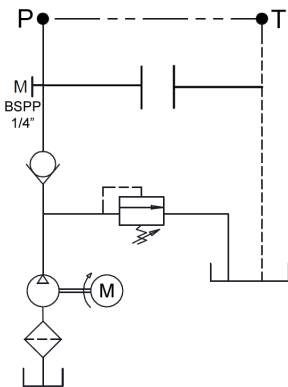
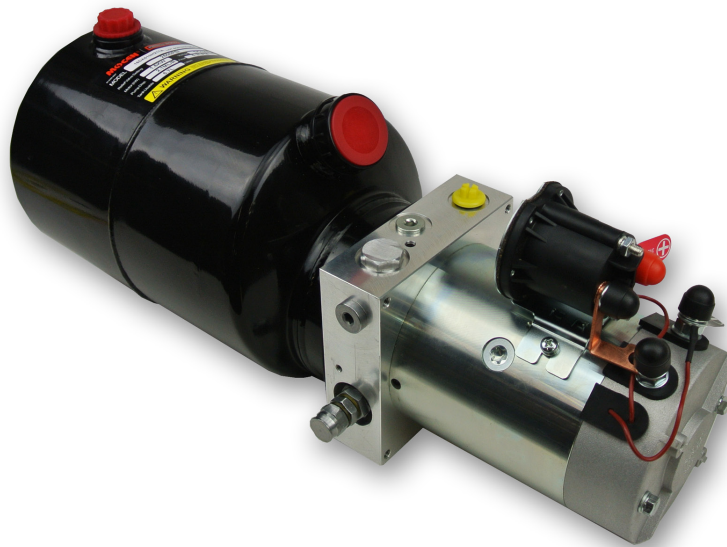
1800-OILSOL
1800-645765

<https://oilsolutions.com.au/>

sales@oilsolutions.com.au

Power Unit P & T (DC) - Maximum Pressure 3000psi

Part #	List Price \$	Power	Volts	Function	Pump	Ports	Tank Usable	Relief Set
16DA010H211A		1.6 kW	12v	P + T	2.1 cc	9/16" UNO	3.8 L	2500 psi
16DA010H212A		1.6 kW	12v	P + T	2.1 cc	9/16" UNO	5.7 L	2500 psi
16DA010H212B		1.6 kW	12v	P + T	2.1 cc	9/16" UNO	7.6 L	2500 psi
16DA010H213B		1.6 kW	12v	P + T	2.1 cc	9/16" UNO	10 L	2500 psi
16DB010H211A		2.2 kW	24v	P + T	2.1 cc	9/16" UNO	3.8 L	2500 psi
16DB010H212A		2.2 kW	24v	P + T	2.1 cc	9/16" UNO	5.7 L	2500 psi
16DB010H212B		2.2 kW	24v	P + T	2.1 cc	9/16" UNO	7.6 L	2500 psi
16DB010H213B		2.2 kW	24v	P + T	2.1 cc	9/16" UNO	10 L	2500 psi

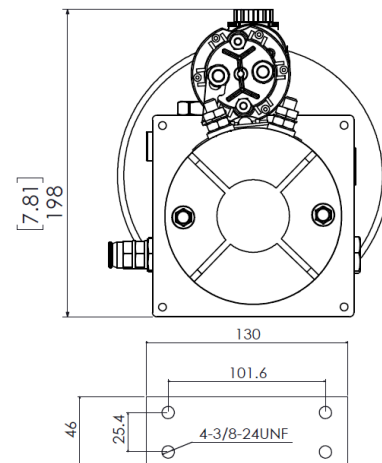
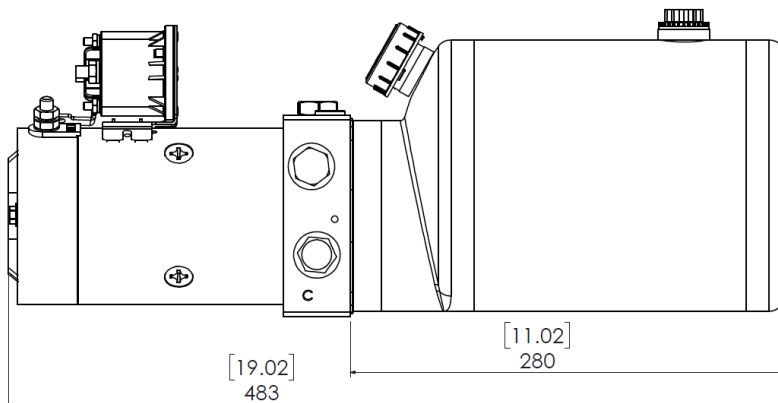


Dimensions (mm)

Tank Size	Length	Width	Height
3.8 L	483	183	200
5.7 L	553	183	200
7.5 L	483	183	200
10 L	540	183	200
15 L	713	183	200

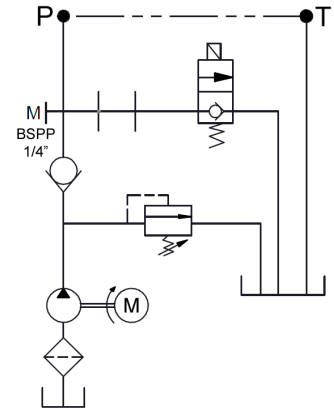
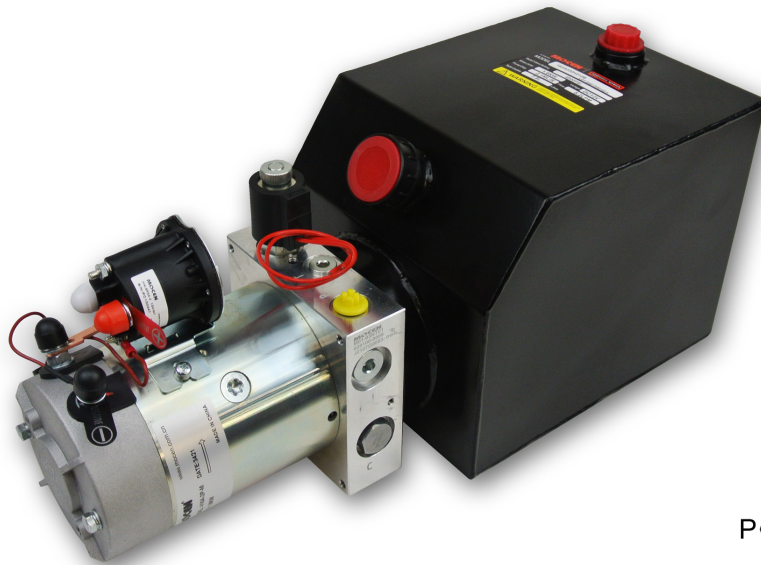
Intermittent use only

*Other tank size options:
see page 49*



Single Acting Power Unit (DC) - Maximum Pressure 3000psi

Part #	List Price \$	Power	Volts	Function	Pump	Ports	Tank Usable	Relief Set
16DA030H211A		1.6 kW	12v	S/A	2.1 cc	9/16" UNO	3.8 L	2500 psi
16DA030H212A		1.6 kW	12v	S/A	2.1 cc	9/16" UNO	5.7 L	2500 psi
16DA030H212B		1.6 kW	12v	S/A	2.1 cc	9/16" UNO	7.6 L	2500 psi
16DA030H213B		1.6 kW	12v	S/A	2.1 cc	9/16" UNO	10 L	2500 psi
16DB030H211A		2.2 kW	24v	S/A	2.1 cc	9/16" UNO	3.8 L	2500 psi
16DB030H212A		2.2 kW	24v	S/A	2.1 cc	9/16" UNO	5.7 L	2500 psi
16DB030H212B		2.2 kW	24v	S/A	2.1 cc	9/16" UNO	7.6 L	2500 psi
16DB030H213B		2.2 kW	24v	S/A	2.1 cc	9/16" UNO	10 L	2500 psi



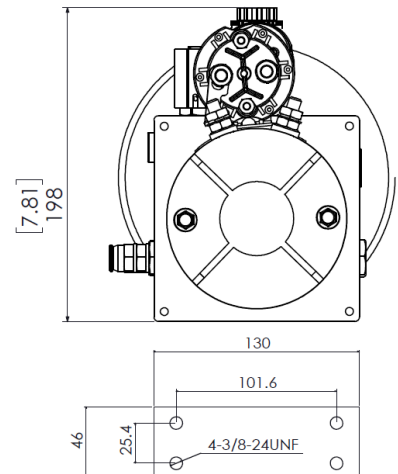
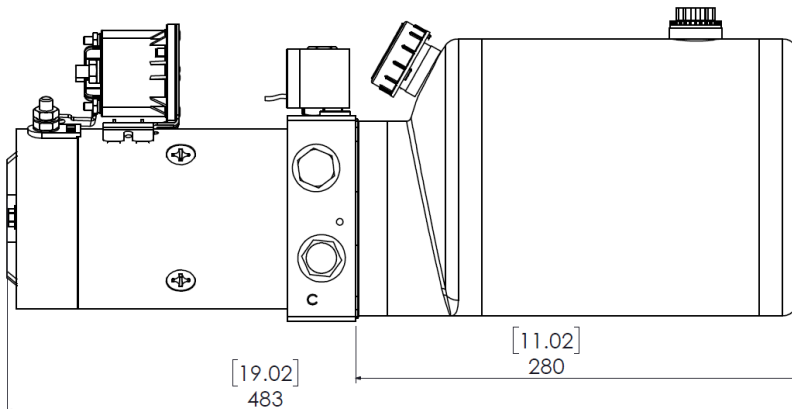
Intermittent use only

Other tank size options:
see page 49

Flow control cartridge
can fit centre block

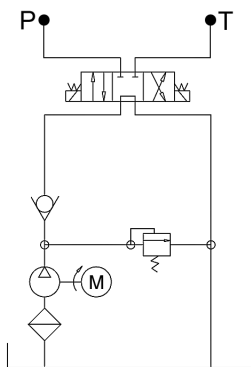
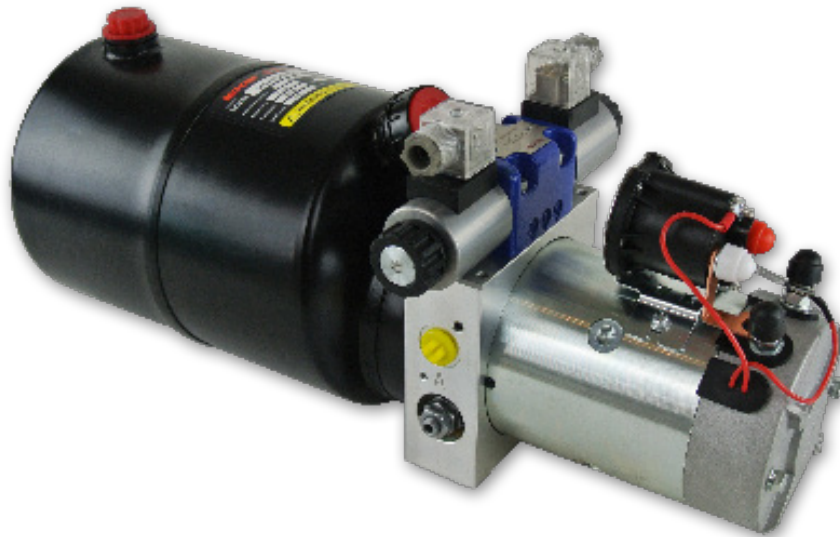
Dimensions (mm)

Tank Size	Length	Width	Height
3.8 L	483	198	200
5.7 L	553	198	200
7.5 L	483	198	200
10 L	540	198	200
15 L	713	198	200



Double Acting Power Unit (DC) - Maximum Pressure 3000psi

Part #	List Price \$	Power	Volts	Function	Pump	Ports	Tank Usable	Relief Set
16DA131ZH211A		1.6 kW	12v	D/A	2.1 cc	9/16" UNO	3.8 L	2500 psi
16DA131ZH212A		1.6 kW	12v	D/A	2.1 cc	9/16" UNO	5.7 L	2500 psi
16DA131ZH212B		1.6 kW	12v	D/A	2.1 cc	9/16" UNO	7.6 L	2500 psi
16DA131ZH213B		1.6 kW	12v	D/A	2.1 cc	9/16" UNO	10 L	2500 psi
16DB131ZH211A		2.2 kW	24v	D/A	2.1 cc	9/16" UNO	3.8 L	2500 psi
16DB131ZH212A		2.2 kW	24v	D/A	2.1 cc	9/16" UNO	5.7 L	2500 psi
16DB131ZH212B		2.2 kW	24v	D/A	2.1 cc	9/16" UNO	7.6 L	2500 psi
16DB131ZH213B		2.2 kW	24v	D/A	2.1 cc	9/16" UNO	10 L	2500 psi

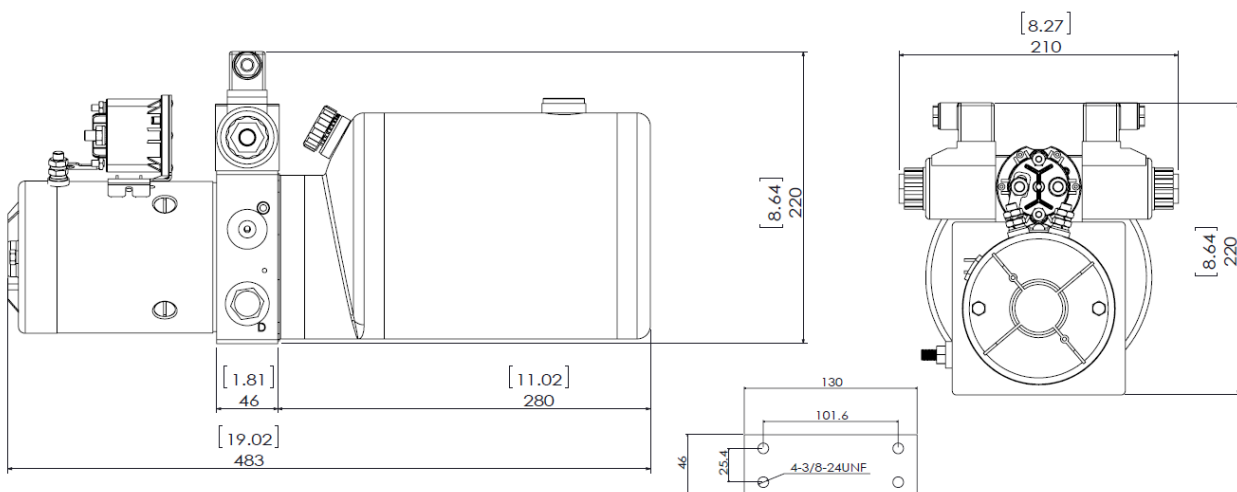


Dimensions (mm)

Tank Size	Length	Width	Height
3.8 L	483	210	220
5.7 L	553	210	220
7.5 L	483	210	220
10 L	540	210	220
15 L	713	210	220

Intermittent use only

*Other tank size options:
see page 49*



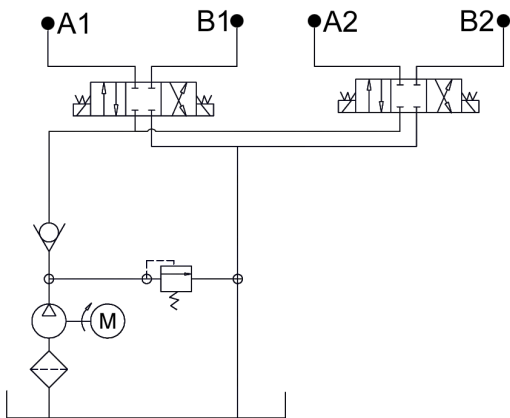
Double Acting x 2 Power Unit (DC) - Maximum Pressure 3000psi

Part #	List Price \$	Power	Volts	Function	Pump	Ports	Tank Usable	Relief Set
16DA132ZH212B		1.6 kW	12v	2 x D/A	2.1 cc	9/16" UNO	7.5 L	2500 psi
16DB132ZH212B		2.2 kW	24v	2 x D/A	2.1 cc	9/16" UNO	7.5 L	2500 psi



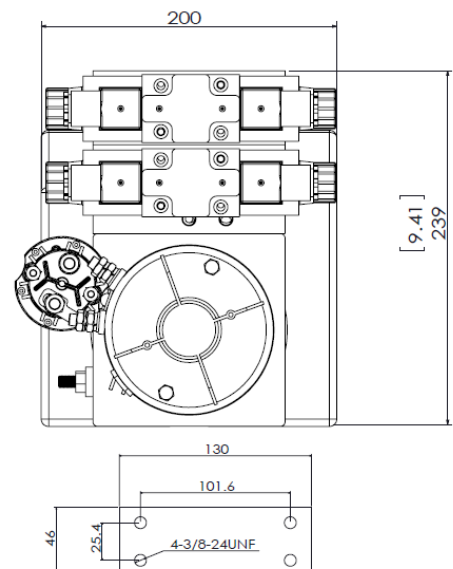
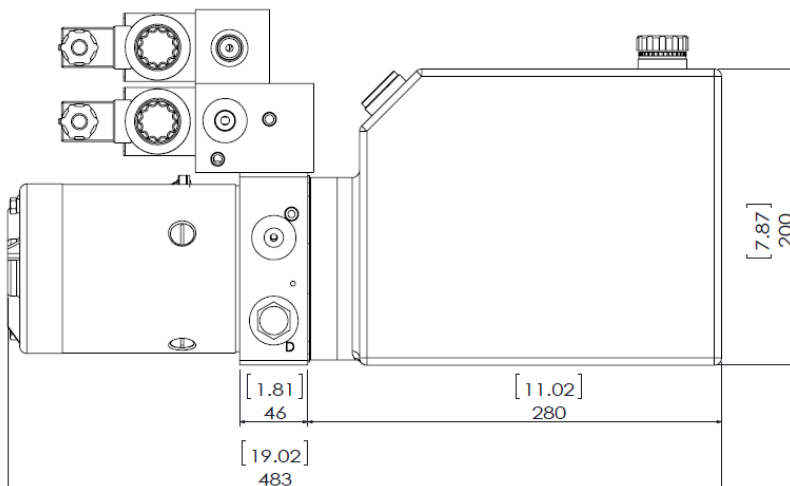
Intermittent use only

Other tank size options:
see page 49



Dimensions (mm)

Tank Size	Length	Width	Height
3.8 L	483	200	239
5.7 L	553	200	239
7.5 L	483	200	239
10 L	540	200	239
15 L	713	200	239

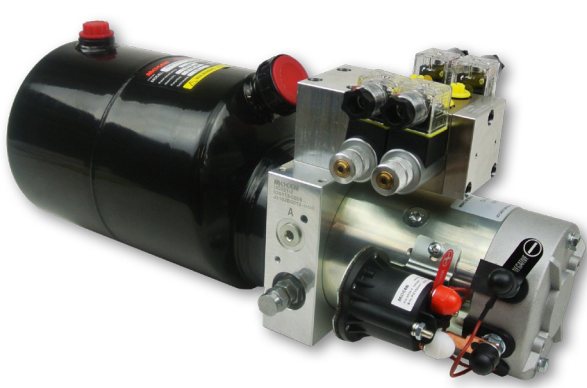


Double Acting x 2 Power Unit (DC) - Maximum Pressure 3000psi

Part #	List Price \$	Power	Volts	Function	Pump	Ports	Tank Usable	Relief Set
16DA132ZH211A SV		1.6 kW	12v	2 x D/A	2.1 cc	1/4" BSP	3.8 L	2500 psi
16DB132ZH211A SV		2.2 kW	24v	2 x D/A	2.1 cc	1/4" BSP	3.8 L	2500 psi

Double Acting x 3 Power Unit (DC) - Maximum Pressure 3000psi

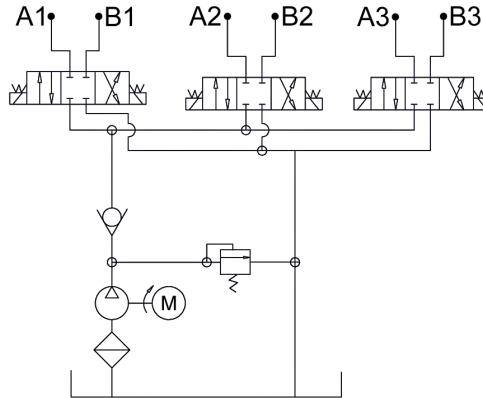
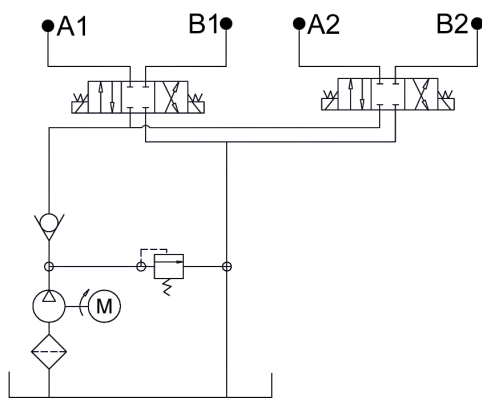
Part #	List Price \$	Power	Volts	Function	Pump	Ports	Tank Usable	Relief Set
16DA133ZH213B SV		1.6 kW	12v	3 x D/A	2.1 cc	1/4" BSP	10 L	2500 psi
16DB133ZH213B SV		2.2 kW	24v	3 x D/A	2.1 cc	1/4" BSP	10 L	2500 psi



132



133



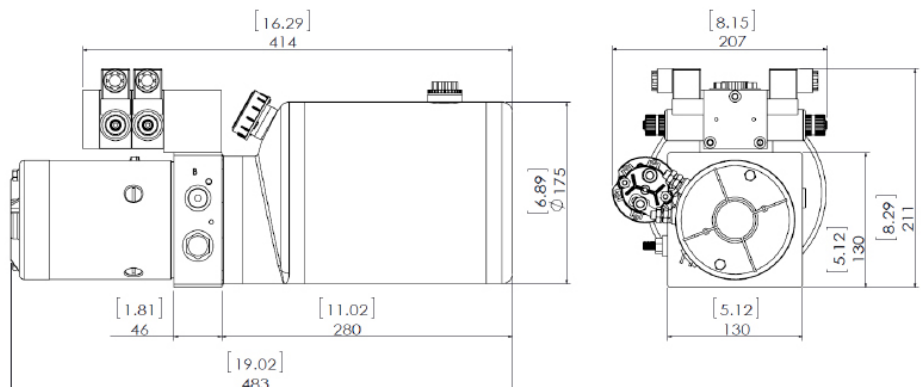
Intermittent use only

Other tank size options:
see page 49

Configuration options:
see page 33

Dimensions (mm)

Tank	Length	Width	Height
3.8 L	483	207	211
5.7 L	553	207	211
7.5 L	483	207	211
10 L	540	207	211
15 L	713	207	211

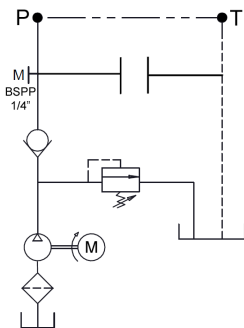


High Power 2.5 kW Power Unit (DC) - Maximum Pressure 3000psi

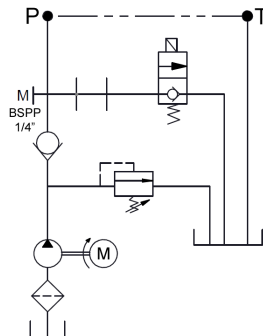
Part #	List Price \$	Power	Volts	Function	Pump	Ports	Tank Usable	Relief Set
25DA010H323B		2.5 kW	12v	P + T	3.2 cc	9/16" UNO	10 L	2500 psi
25DA030H323B		2.5 kW	12v	S/A	3.2 cc	9/16" UNO	10 L	2500 psi
25DA131ZH323B		2.5 kW	12v	D/A	3.2 cc	9/16" UNO	10 L	2500 psi
25DB010H323B		2.8 kW	24v	P + T	3.2 cc	9/16" UNO	10 L	2500 psi
25DB030H323B		2.8 kW	24v	S/A	3.2 cc	9/16" UNO	10 L	2500 psi
25DB131ZH323B		2.8 kW	24v	D/A	3.2 cc	9/16" UNO	10 L	2500 psi



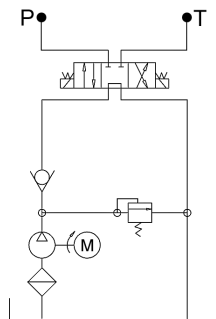
Intermittent use only



010



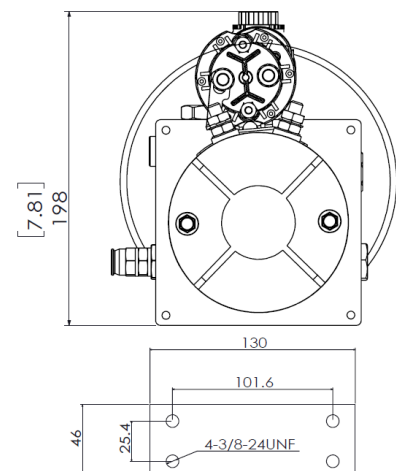
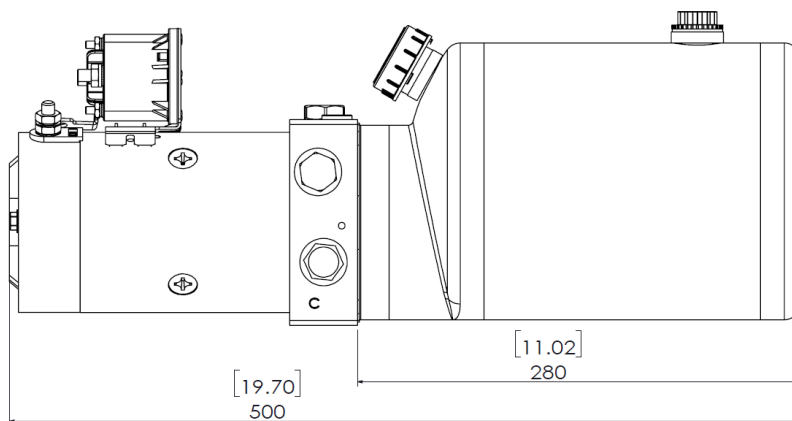
030



131

Dimensions (mm)

Part	Length	Width	Height
DA010	549	200	200
DB010	583	200	200
DA030	549	200	200
DB030	583	200	200
DA131	549	210	220
DB131	583	210	220



High Power 3 kW Power Unit (DC) - Maximum Pressure 3000psi

Part #	List Price \$	Power	Volts	Function	Pump	Ports	Tank Usable	Relief Set
30DA010H373B		3.0 kW	12v	P + T	3.7 cc	9/16" UNO	10 L	2500 psi
30DA030H373B		3.0 kW	12v	S/A	3.7 cc	9/16" UNO	10 L	2500 psi
30DA131ZH373B		3.0 kW	12v	D/A	3.7 cc	9/16" UNO	10 L	2500 psi



Dimensions (mm)

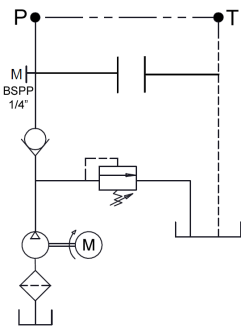
Part	Length	Width	Height
010	622	200	231
030	622	200	231
131	644	224	210

Intermittent use only

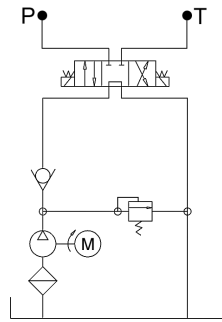
500amp heavy duty start solenoid

High Power 4 kW Power Unit (DC) - Maximum Pressure 3000psi

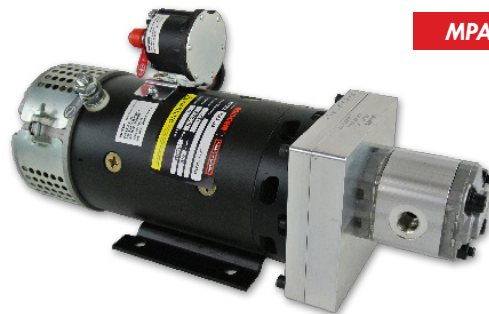
Part #	List Price \$	Power	Volts	Function	Pump	Ports	Tank Usable	Relief Set
40DB010H423B		4.0 kW	24v	P + T	4.2 cc	9/16" UNO	10 L	2500 psi
40DB030H423B		4.0 kW	24v	S/A	4.2 cc	9/16" UNO	10 L	2500 psi
40DB131ZH423B		4.0 kW	24v	D/A	4.2 cc	9/16" UNO	10 L	2500 psi
MPA025		4.0 KW	24v	Motor Pump	4.2 cc	3/8" BSPP	-	-



010



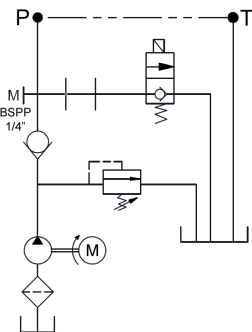
131



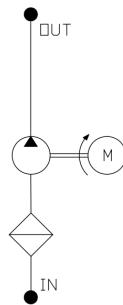
MPA

Intermittent use only

Hi-powered & cooled for longer run-time



030



MPA



40DB

Dimensions (mm)

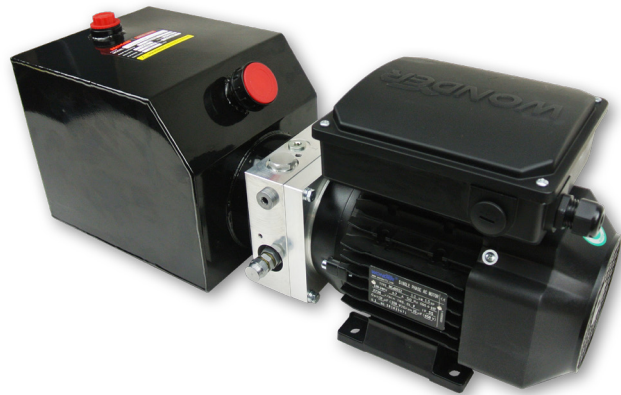
Part	Length	Width	Height
010	678	200	232
030	678	200	232
131	678	210	239
MPA025	390	130	184

Power Unit 1.1 kW (AC) 240v

Part #	List Price \$	Power	Volts	Function	Pump	Ports	Tank Usable	Relief Set
15AA010H112B		1.1 kW	240v	P + T	1.1 cc	9/16" UNO	7.5 L	2500 psi
15AA131CH112B		1.1 kW	240v (24v DC Coils)	D/A	1.1 cc	9/16" UNO	7.5 L	2500 psi

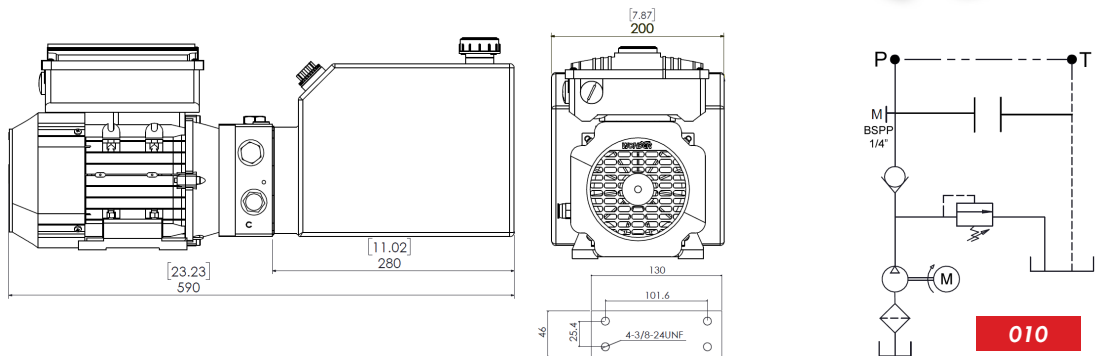
Dimensions (mm)

Part	Length	Width	Height
010	590	200	238
131	590	210	238



Intermittent use only

D/A has 24v DC coils (unless specified)



010

Power Unit 2.2 kW (AC) 240v

Part #	List Price \$	Power	Volts	Function	Pump	Ports	Tank Usable	Relief Set
30AA010H213B		2.2 kW	240v	P + T	2.1 cc	9/16" UNO	10 L	2500 psi
30AA131CH213B		2.2 kW	240v (24v DC Coils)	D/A	2.1 cc	9/16" UNO	10 L	2500 psi

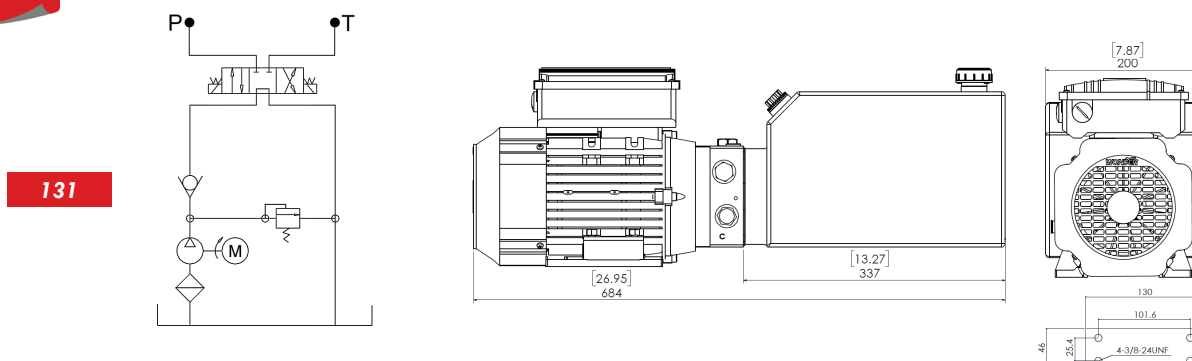
Dimensions (mm)

Part	Length	Width	Height
010	689	200	256
131	689	210	256



Intermittent use only

D/A has 24v DC coils (unless specified)



131

Power Unit 1.1 kW (AC) 415v

Part #	List Price \$	Power	Volts	Function	Pump	Ports	Tank Usable	Relief Set
15AC010H112B		1.1 kW	415v	P + T	1.1 cc	9/16" UNO	7.5 L	2500 psi
15AC131CH112B		1.1 kW	415v (24v DC Coils)	D/A	1.1 cc	9/16" UNO	7.5 L	2500 psi

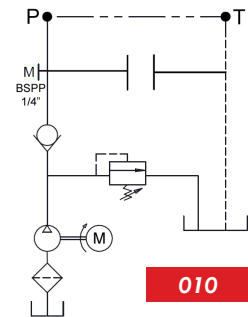
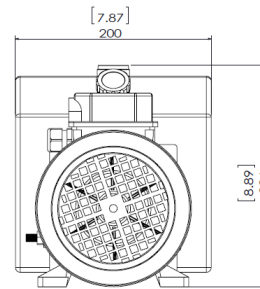
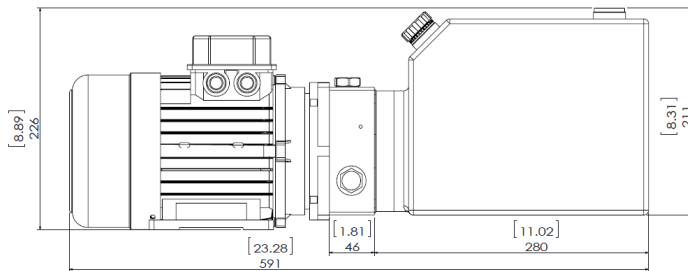


Dimensions (mm)

Part	Length	Width	Height
010	591	200	226
131	591	210	245

Intermittent use only

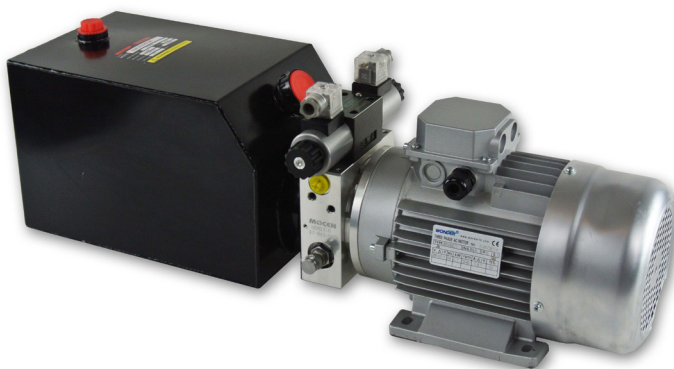
*D/A has 24v DC coils
(unless specified)*



010

Power Unit 2.2 kW (AC) 415v

Part #	List Price \$	Power	Volts	Function	Pump	Ports	Tank Usable	Relief Set
30AC010H213B		2.2 kW	415v	P + T	2.1 cc	9/16" UNO	10 L	2500 psi
30AC131CH213B		2.2 kW	415v (24v DC Coils)	D/A	2.1 cc	9/16" UNO	10 L	2500 psi

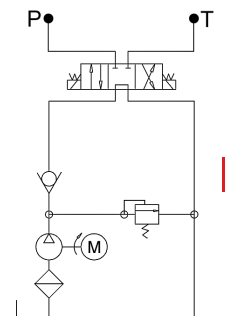
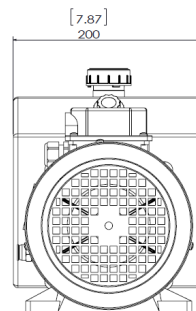
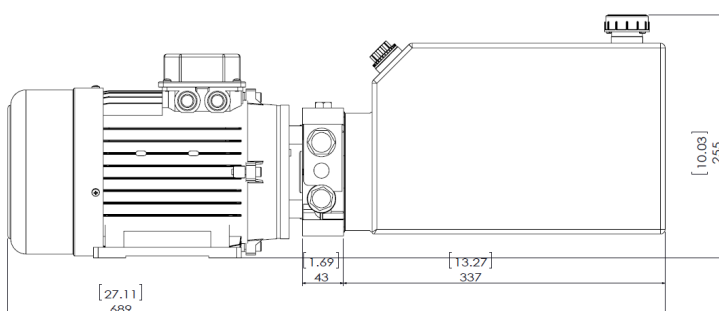


Dimensions (mm)

Part	Length	Width	Height
010	689	200	255
131	689	210	255

Intermittent use only

*D/A has 24v DC coils
(unless specified)*



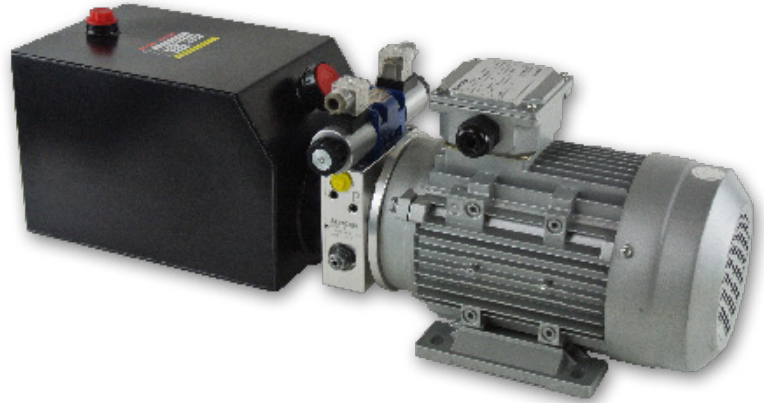
131

Power Unit 3.0 kW (AC) 415v

Part #	List Price \$	Power	Volts	Function	Pump	Ports	Tank Usable	Relief Set
40AC010H273B		3 kW	415v	P + T	2.7 cc	9/16" UNO	10 L	2500 psi
40AC131CH273B		3 kW	415v (24v DC Coils)	D/A	2.7 cc	9/16" UNO	10 L	2500 psi

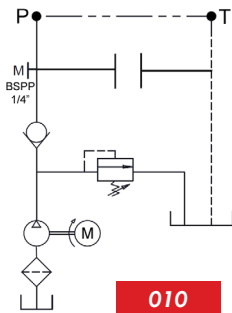
Dimensions (mm)

Part	Length	Width	Height
010	703	200	280
131	703	216	258

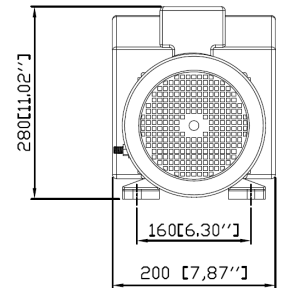
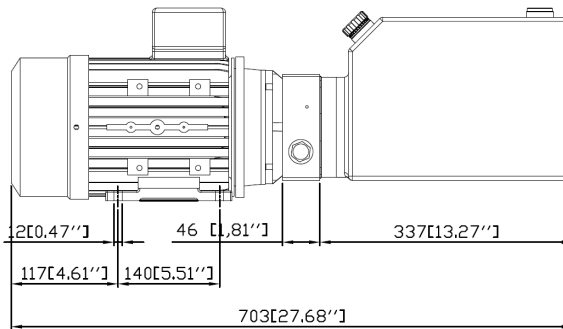


Intermittent use only

D/A has 24v DC coils (unless specified)



010

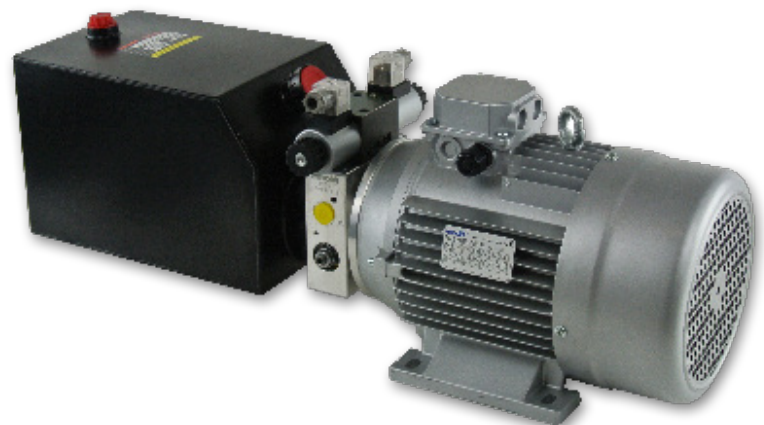


Power Unit 4.0 kW (AC) 415v

Part #	List Price \$	Power	Volts	Function	Pump	Ports	Tank Usable	Relief Set
50AC010H373B		4 kW	415v	P + T	3.7 cc	9/16" UNO	10 L	2500 psi
50AC131CH373B		4 kW	415v (24v DC Coils)	D/A	3.7 cc	9/16" UNO	10 L	2500 psi

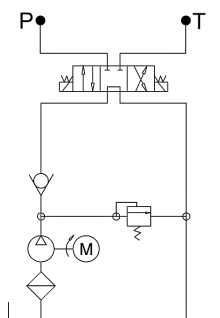
Dimensions (mm)

Part	Length	Width	Height
010	739	200	264
131	739	210	263

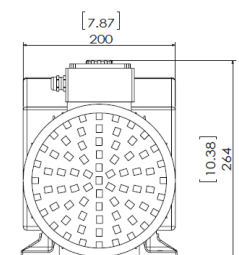
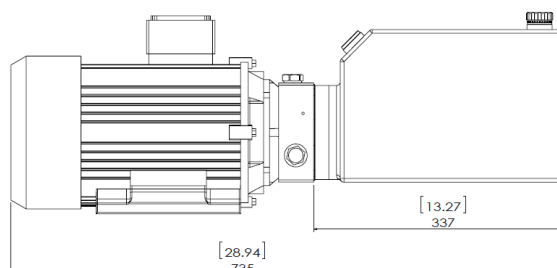


Intermittent use only

D/A has 24v DC coils (unless specified)



131



Engine Power Unit 6HP

Part #	List Price \$	Power	Fuel	Function	Pump	Tank Usable	Relief Set
60PE010H278B		6.7 HP	Unleaded	P + T	2.7 cc	18 L	2500 psi
60PE131CH278B		6.7 HP	Unleaded	D/A	2.7 cc	18 L	2500 psi

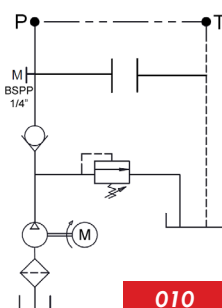
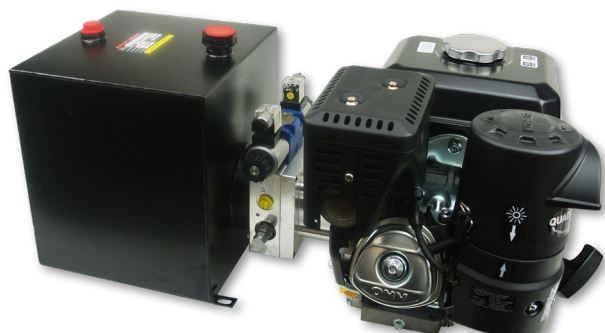
Engines

Part #	List Price \$	Make	Fuel	Power	Start	Engine Mount BCD	Mounting Spigot	Shaft	Key
CH270-0021		Kohler	Unleaded	7.0HP @ 3600rpm	Pull/elec	92mm	-	3/4"	3/16"
CH440-3280		Kohler	Unleaded	14HP @ 3600rpm	Pull/elec	127mm	146mm	1"	1/4"
L70N5-METMYIS		Yanmar	Diesel	6.1HP @ 3000rpm	Pull/elec	127mm	146mm	1"	1/4"
L100N5-METMYIS		Yanmar	Diesel	8.8HP @ 3000rpm	Pull/elec	127mm	146mm	1"	1/4"

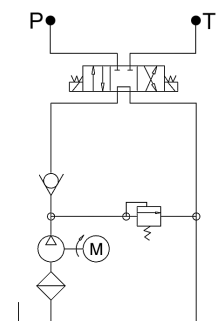
Note: please check power/torque graphs before selecting an engine

Power Unit Kits for DIY Engines

Part #	List Price \$	Function	Pump Group	Pump	Tank	Engine Mount BCD	Shaft	Key
GEU(07)010H2718B		P + T	Group 1	2.7cc	18 L	92mm	3/4"	3/16"
GEU(07)131CH278B		D/A	Group 1	2.7cc	18 L	92mm	3/4"	3/16"
NEW GEU(14)010H2718B		P + T	Group 1	2.7cc	18 L	127mm	1"	1/4"
NEW GEU(14)131CH278B		D/A	Group 1	2.7cc	18 L	127mm	1"	1/4"



010



131

Part #	Model	Mounting	Function	Valve Type	Unload Valve	Suction	Pump CC	Tank	Special
	GEU	(07)	010	-	-	H	27	18B	-

MOUNTING

(07)	92mm BCD 3/4" shaft
(14)	127mm BCD 1" shaft

FUNCTION

010	P & T
030	Single Acting
03M	Single Acting w/ override
131	1 x Double Acting (Cetop)
132	2 x Double Acting (Cetop)
132	2 x Double Acting (Sandwich)
133	3 x Double Acting (Sandwich)

VALVE TYPE

Z	Closed Centre
C	Tandem Centre
H	Open Centre
Y	A & B to T
S	Crossover S/A

Technical info - see pages 174-186

UNLOAD VALVE

U	Unload Valve
-	No Unload

SUCTION

H	Horizontal Mount
---	------------------

PUMP

27	2.7 cc
32	3.2 cc
37	3.7 cc
42	4.2 cc
48	4.8 cc
58	5.8 cc
70	7.0 cc
80	8.0 cc

Technical information - see page 48

TANK

8B	MT18AB 18L
1K	OTK012 21L
4H	HR4ABC 22L
5H	HR5ABC 30L
6H	HR6ABC 38L
MP	No tank
MPR	No tank, no relief

Technical information - see page 49

SPECIAL

MPR	Motor Pump w/ Relief Valve
MP	Motor Pump
SV	Sandwich Valve
SVHP	Sandwich Valve Handpump
SVM	Sandwich Valve Manual Override
COV	CETOP Override
V	Vivoil Pump

Multiple special options separated by /

DC Motors

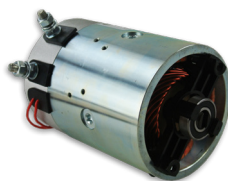
Part #	List Price \$	Power	Voltage	Rated Current	Rated Speed	IP	Duty Cycle	
							S2	S3
235A-FS-A		350 W	12v	40a	1700 rpm	54	2 min	3%
235B-FS-A		350 W	24v	25a	1800 rpm	54	2 min	3%
308AS-2-A		800 W	12v	105a	3200 rpm	54	2 min	3%
308BS-2-A		800 W	24v	50a	3200 rpm	54	2 min	3%
416A-2		1.6 kW	12v	190a	2600 rpm	54	2 min	8%
422B-2		2.2 kW	24v	120a	2700 rpm	54	2 min	8%
425A-2		2.5 kW	12v	280a	2400 rpm	54	2 min	8%
428B-2		2.8 kW	24v	150a	3400 rpm	54	2 min	8%
530A-F		3.0 kW	12v	450a	1850 rpm	54	5 min	9%
540B-2-J		4.0 kW	24v	215a	2700 rpm	54	8 min	15%



235B



308BS



416A



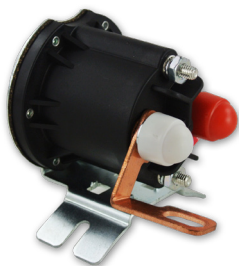
428B



530A

Start Solenoids

Part #	List Price \$	Rated Amp	Voltage	Duty Max	Power Unit
SR3A2		250a	12v	6 min	1.6, 2.5, 4.0 kW DC
SR3B2		250a	24v	6 min	1.6, 2.5, 4.0 kW DC
SR5A2		500a	12v	6 min	3.0 kW DC 12vc



SR3



SR5

Solenoids

Part #	List Price \$	Voltage	Amp	Core Size	Length	Connector
S2D12-08		12v DC	1.5a	13.3mm	37.5mm	2 wire
S2D24-08		24v DC	0.75a	13.3mm	37.5mm	2 wire
D1D12-08		12v DC	1.5a	13.3mm	37.5mm	3 pin DIN plug
D1D24-08		24v DC	0.75a	13.3mm	37.5mm	3 pin DIN plug
D1A220-08		220v AC	0.08a	13.3mm	37.5mm	3 pin DIN plug



S2D



D1D



See page 59 for DIN Connectors

AC Motors Standard Series (240v)

Part #	List Price \$	Power	Voltage	Amp Draw	Speed	Frame
E11S-2-80-B34		1.1 kW	220/240v	6.7a	2800 rpm	80
E22S-2-90L-B34		2.2 kW	220/240v	9.7a	2800 rpm	90



Cross Reference To Power Unit Part

15AA	E11S-2-80-B34
30AA	E22S-2-90L-B34

AC Motors Standard Series (415v)

Part #	List Price \$	Power	Voltage	Amp Draw	Speed	Frame
E11T-2-80-B34		1.1 kW	380/415v	2.49a	2800 rpm	80
E22T-2-90L-B34		2.2 kW	380/415v	4.67a	2800 rpm	90
E30T-2-100L-B34		3.0 kW	380/415v	6.22a	2800 rpm	100
E40T-2-112M-B34		4.0 kW	380/415v	10.5a	2800 rpm	112



Cross Reference To Power Unit Part

15AC	E11T-2-80-B34
30AC	E22T-2-90L-B34
40AC	E30T-2-100L-B34
50AC	E40T-2-112M-B34

AC Motors BP13 Series (240v AC) IP55

Part #	List Price \$	Power	Full Load	RPM	Frame	Shaft
EM1-4-0.25-14-71-B34		0.25 kW	1.9 amp	1320	71	14 mm
EM1-4-0.37-14-71-B34		0.37 kW	2.7 amp	1380	71	14 mm
EM1-4-0.55-19-80-B34		0.55 kW	3.6 amp	1400	80	19 mm
EM1-4-0.75-19-80-B34		0.75 kW	4.5 amp	1410	80	19 mm
EM1-4-1.1-24-90-B34		1.1 kW	6.5 amp	1410	90	24 mm
EM1-4-1.5-24-90-B34		1.5 kW	8.7 amp	1420	90	24 mm
EM1-4-2.2-28-100-B34		2.2 kW	12.1 amp	1430	100	28 mm
EM1-4-3-28-100-B34		3 kW	16.3 amp	1440	100	28 mm
EM-4-3.7-28-100-B34		3.7 kW	19.8 amp	1440	100	28 mm



AC Motors BP13 Series (415v AC) IP55

Part #	List Price \$	Power	Full Load	RPM	Frame	Shaft
EM3-4-0.25-14-71-B34		0.25 kW	0.75 amp	1380	71	14 mm
EM3-4-0.37-14-71-B34		0.37 kW	1.03 amp	1380	71	14 mm
EM3-4-0.55-14-71-B34		0.55 kW	1.60 amp	1400	80	19 mm
EM3-4-0.55-19-80-B34		0.55 kW	1.63 amp	1400	80	19 mm
EM3-4-0.75-19-80-B34		0.75 kW	1.94 amp	1410	90	24 mm
EM3-4-1.1-24-90-B34		1.1 kW	2.6 amp	1410	90	24 mm
EM3-4-1.5-24-90-B34		1.5 kW	3.4 amp	1420	90	24 mm
EM3-4-2.2-24-90-B34		2.2 kW	5.1 amp	1430	90	24 mm
EM3-4-2.2-28-100-B34		2.2 kW	4.6 amp	1430	100	28 mm
EM3-4-3-28-100-B34		3.0 kW	6.3 amp	1440	100	28 mm
EM3-4-4-28-112-B34		4.0 kW	8.2 amp	1440	100	28 mm



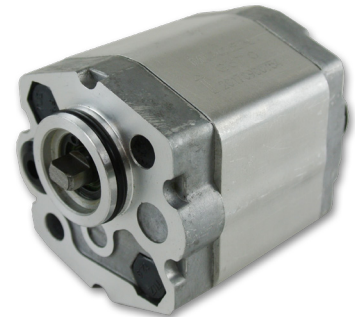
Gear Pumps - Premium Tang Drive

Part #	List Price \$	CC	Max Pressure	Min Speed	Max Speed
B1P1643HZZB		0.91	240 bar	700 rpm	4000 rpm
B1P1743HZZB		1.17	250 bar	700 rpm	4000 rpm
B1P1843HZZB		1.56	250 bar	700 rpm	4000 rpm
B1P2043HZZB		2.08	250 bar	700 rpm	4000 rpm
B1P2143HZZB		2.6	250 bar	700 rpm	4000 rpm
B1P2343HZZB		3.12	220 bar	700 rpm	4000 rpm
B1P2543HZZB		3.64	220 bar	700 rpm	4000 rpm
B1P2743HZZB		4.16	200 bar	700 rpm	4000 rpm
B1P3143HZZB		5.85	170 bar	700 rpm	3500 rpm
B1P3443HZZB		7.8	110 bar	700 rpm	3500 rpm



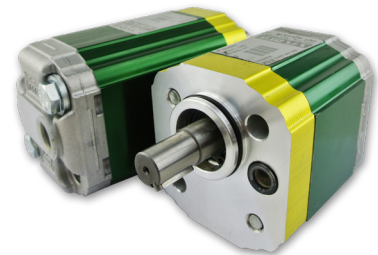
Gear Pumps - Standard Tang Drive

Part #	List Price \$	CC	Max Pressure	Min Speed	Max Speed
G110		1.1	210 bar	600 rpm	6000 rpm
G160		1.6	210 bar	600 rpm	6000 rpm
G210		2.1	210 bar	600 rpm	6000 rpm
G270		2.7	210 bar	600 rpm	6000 rpm
G320		3.2	190 bar	600 rpm	5000 rpm
G370		3.7	190 bar	600 rpm	4500 rpm
G420		4.2	190 bar	600 rpm	4000 rpm
G480		4.8	170 bar	600 rpm	3500 rpm
G580		5.8	170 bar	600 rpm	3000 rpm
G800		8	110 bar	600 rpm	2100 rpm



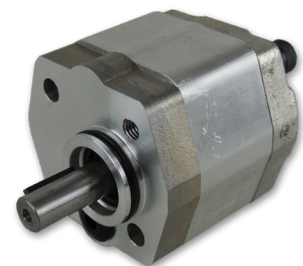
Gear Pumps - Premium Cylindrical, BP13 Series / Petrol Power Units

Part #	List Price \$	CC	Rated Pressure	Max / Min Speed
7P1644003		0.9	240 bar	700/6000 rpm
7P1744002		1.2	250 bar	700/6000 rpm
7P1844003		1.7	250 bar	700/6000 rpm
7P2044002		2.1	250 bar	700/6000 rpm
7P2144001		2.7	250 bar	700/6000 rpm
7P2344002		3.2	250 bar	700/6000 rpm
7P2544001		3.7	250 bar	700/6000 rpm
7P2744001		4.2	250 bar	700/6000 rpm
7P2944001		4.8	250 bar	700/6000 rpm
7P3144002		5.8	250 bar	700/5000 rpm
7P3244001		7.0	250 bar	700/5000 rpm
7P3444003		8.0	220 bar	700/5000 rpm
7P3644001		9.8	181 bar	700/4000 rpm



Gear Pumps - Standard Cylindrical, BP 13 Series / Petrol Power Units

Part #	List Price \$	CC	Max Pressure	Min Speed	Max Speed
G110S-S1		1.1	210 bar	600 rpm	6000 rpm
G210S-S1		2.1	210 bar	600 rpm	6000 rpm
G270S-S1		2.7	210 bar	600 rpm	6000 rpm
G380S-S1		3.8	190 bar	600 rpm	4500 rpm
G420S-S1		4.2	190 bar	600 rpm	4000 rpm
G480S-S1		4.8	170 bar	600 rpm	3500 rpm
G580S-S1		5.8	170 bar	600 rpm	3000 rpm
G800S-S1		8	110 bar	600 rpm	2100 rpm



Power Unit Tank - MS Series - Steel

Part #	List Price \$	Usable Litres	Length	Cylinder ø
MS1AB		1.0 L	160mm	122mm
MS2AB		1.4 L	200mm	122mm
MS4AB		2.4 L	300mm	122mm
MS6AB		3.3 L	400mm	122mm



Power Unit Tank - LS Series - Steel

Part #	List Price \$	Usable Litres	Length	Cylinder ø
LS0AB		3.0 L	240mm	177mm
LS1AB		3.8 L	280mm	177mm
LS2AB		5.7 L	350mm	177mm



Power Unit Tank - MT Series - Steel

Part #	List Price \$	Usable Litres	Length	Width	Height
MT0AB		2.5 L	160mm	140mm	220mm
MT2AB		7.5 L	280mm	200mm	200mm
MT3AB		10 L	335mm	200mm	200mm
MT4AB		12 L	395mm	200mm	200mm
MT5AB		15 L	510mm	200mm	200mm
MT6AB		19 L	625mm	200mm	200mm
MT18AB		18 L	300mm	280mm	300mm



Power Unit Tank - HR Series - Steel

Part #	List Price \$	Usable Litres	Length	Width	Height
HR4ABC		22 L	380mm	250mm	300mm
HR5ABC		30 L	500mm	250mm	300mm
HR6ABC		38 L	600mm	250mm	300mm



Power Unit Tank - RP Series - Nylon

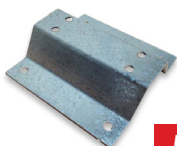
Part #	List Price \$	Usable Litres	Length	Width	Height
RP0AB		2.3 L	198mm	173mm	173mm
RP2AB		6 L	332mm	173mm	173mm



Please note: All tank measurements on this page include tank flange!

Power Unit Tank Accessories

Part #	List Price \$	Description
PUMT		Suits all power units with 130mm centre manifold
TKBR		Tank breather 3/4" NPT
TKBP		Tank plug 3/4" NPT
FLST120		Weld flange for power unit mount
DMC01		DC power unit dust cover



PUMT



TKBR



TKBP



FLST120



DMC01

Hydraulics Network



1800-OILSOL
1800-645765

<https://oilsolutions.com.au/>

sales@oilsolutions.com.au

MELBOURNE

VICTORIA

- 📍 23 Quinlan Road, Epping, VIC 3076
- ✉️ sales@hydraulicsnetwork.com.au
- ☎️ 03 9399 8957

BRISBANE

QUEENSLAND

- 📍 29 Annie Street, Coopers Plains, QLD 4108
- ✉️ salesqld@hydraulicsnetwork.com.au
- ☎️ 07 3277 5969

www.hydraulicsnetwork.com.au

AUSTRALIAN-OWNED
INDEPENDENT HYDRAULICS WHOLESALER