

CB-E 齿轮泵

CB-E GEAR PUMPS

简介 General Description

CB-E 齿轮泵是一种小排量的液压泵，由一对齿轮轴、轴套、泵体、前盖、后盖等主要部件组成。该齿轮泵具有体积小、重量轻、效率高、噪音低等优点。适用于各种小型的中高压液压系统。

用户需注意：CB-E 齿轮泵有顺时针、逆时针两种转向及后盖进 / 前盖出、泵体进 / 前盖出、泵体进 / 泵体出、后盖进 / 泵体出五种进出油方式。

Small in displacement, the CB-E pump consists of a gear pair supported by two aluminum bearing blocks, a housing, front cover and rear cover. The features of CB-E pump have small dimension, low weight, high mechanical and volumetric efficiency as well as low noise level. It has been widely used in small hydraulic systems of medium/high pressure for a majority of applications.

Notes: The CB-E gear pump has four inlet/outlet positions: rear in/front out, side in/ front out, side in/side out, rear in/side out. Both CW and CCW direction pumps are available.



型谱 Order Code

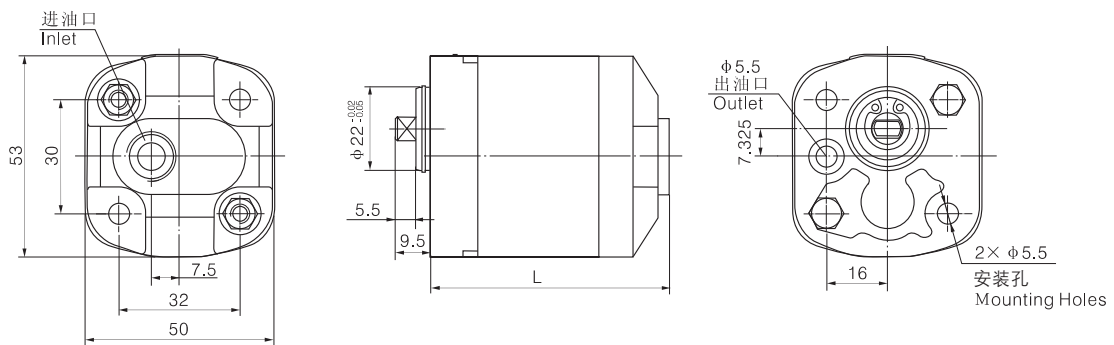
CB-E * * * *

16MPa 额定压力 Rated pressure			
0,26 - 1.5 mL/r 排量 Displacement			
		轴端形式 Shaft Option	
		WK	半圆键 Woodruff Key
		P	平键 Straight Key
		空白 Omit	扁势 Tang
		旋向 Direction	
		空白 Omit	右旋 CW
		F	左旋 CCW

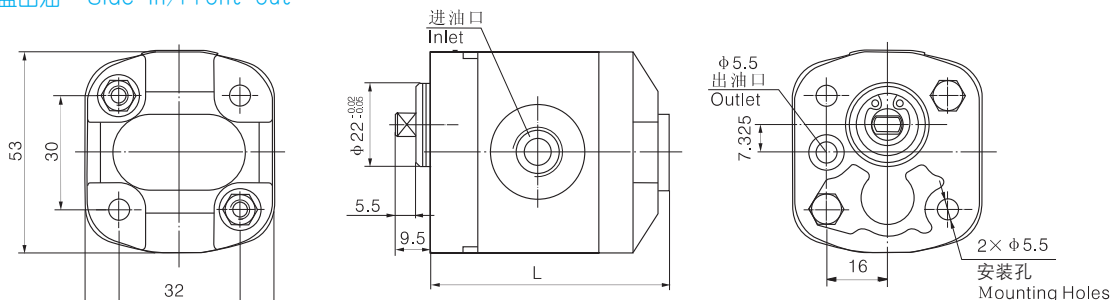
F	后盖G1/4进/泵体G1/8出 Rear in G1/4/Side out G1/8	空白 Omit	后盖G1/4进/前盖出 Rear in G1/4/Front out	进油口位置与尺寸 Inlet Position and Size
G	泵体Z1/8进/泵体Z1/8出 Side in Z1/8/Side out Z1/8	A	后盖Z1/4进/前盖出 Rear in NPT1/4/Front out	
K	前盖进/前盖出 Front in /Front out	B	泵体G1/4进/前盖出 Side in G1/4/Front out	
N	后盖Z3/8进/前盖出 Rear in NPT3/8/Front out	C	泵体M10 × 1.5进/前盖出 Side in M10 × 1.5/Front out	
R	后盖G3/8进/前盖出 Rear in G3/8/Front out	D	泵体G1/4进/泵体G1/4出 Side in G1/4/Side out G1/4	
		E	泵体M10 × 1进/泵体M10 × 1出 Side in M10 × 1/Side out M10 × 1	

外形尺寸图 Outline Dimension

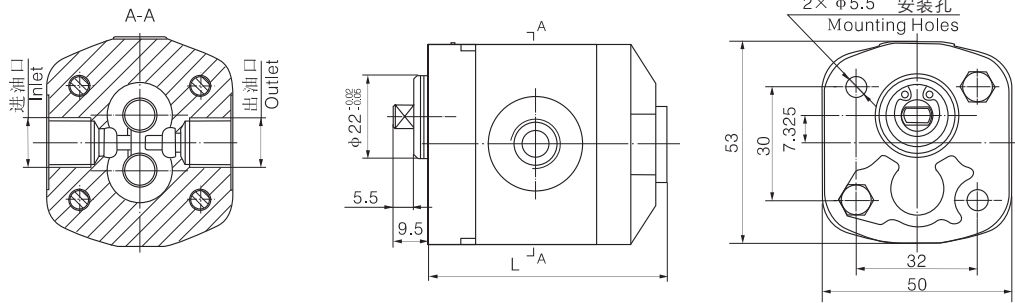
后盖进油 / 前盖出油 Rear in/Front out



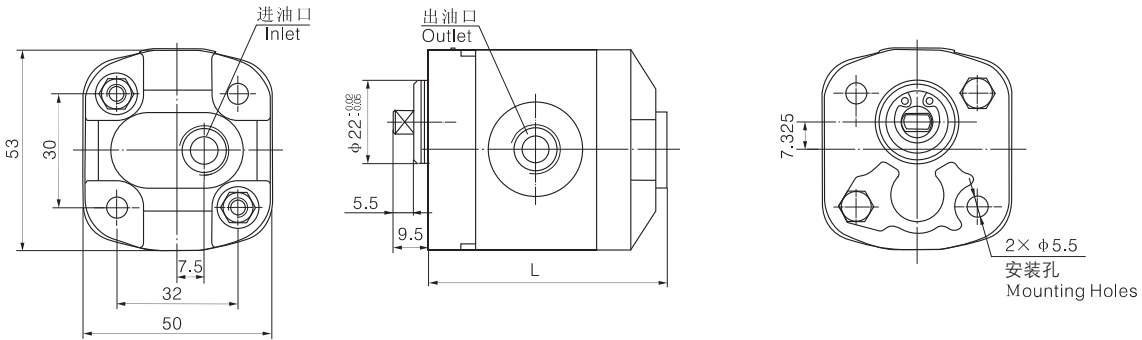
泵体进油 / 前盖出油 Side in/Front out



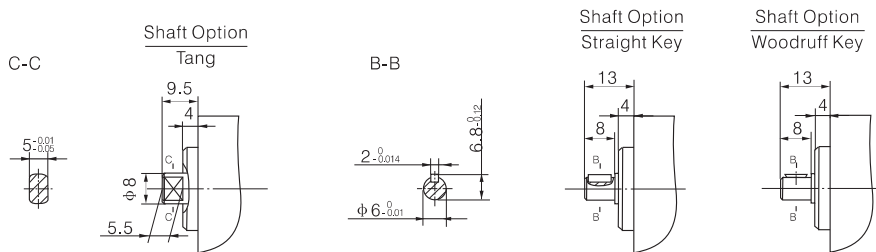
泵体进油 / 泵体出油 Side in/Side out



后盖进油 / 泵体出油 Rear in/Side out



轴端选择 Shaft Option



技术参数 Technical Data

Model 型号	Displacement 排量 mL/r(in ³ /r)	压力 pressure (MPa)			Speed (RPM) 转速	尺寸 Dimension L(mm)	Efficiency 容积效率
		P1	P2	P3			
CB-E0.26 * * *	0.27 (0.0165)	16	18	20	3000	61.2	82%
CB-E0.32 * * *	0.33 (0.0201)					61.7	
CB-E0.38 * * *	0.39 (0.0238)					62.2	
CB-E0.5 * * *	0.49 (0.0299)					63	85%
CB-E0.6 * * *	0.61 (0.037)					64	
CB-E0.63 * * *	0.64 (0.039)					64.2	
CB-E0.75 * * *	0.76 (0.046)					65.2	
CB-E0.88 * * *	0.88 (0.0537)					66.2	86%
CB-E1.00 * * *	1.00 (0.061)					67.2	
CB-E1.25 * * *	1.25 (0.0763)					69.2	
CB-E1.5 * * *	1.54(0.094)	71.5	88%				
CB-E1.9 * * *	1.91(0.1165)	74.5					