

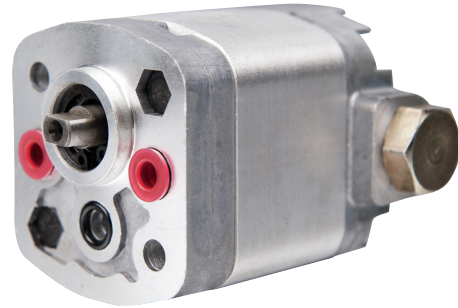
# CB-E\*\*S\* 双向齿轮泵

## CB-E\*\*S\* BIDIRECTIONAL GEAR PUMPS

### 简介 General Description

CB-E\*\*S\* 双向齿轮泵是一种小排量液压泵，它由一对齿轮轴、轴套，一个泵体、前盖、后盖组成。其中后盖含有两个单向阀，因此可同时实现正反向工作，适用于小型双向液压系统中。

CB-E\*\*S\* Bidirectional Gear Pump has a low displacement. It consists of a gear pair supported by bearing blocks, a housing, a flange and a rear cover. Equipped with two check valves in the rear cover, the pump can work in both cw and ccw direction. It is suitable for small bidirectional hydraulic systems.



### 型谱 Order Code



OIL SOLUTIONS

PO Box 38  
Strathfieldsaye, VIC, 3551  
1800 OIL SOL  
1800 645 765  
[sales@oilsolutions.com.au](mailto:sales@oilsolutions.com.au)  
[www.oilsolutions.com.au](http://www.oilsolutions.com.au)  
"For All Your Hydraulic Needs"

CB - E \* \* S \*

16MPa 额定压力  
Rated pressure

0.26 ~ 1.5mL/r 排量  
Displacement

轴端形式  
Shaft end

M	螺纹 + 平键 Thread + Flat Key
P	平键 Flat key
空白 Omit	扁势 Tang

旋向  
Direction

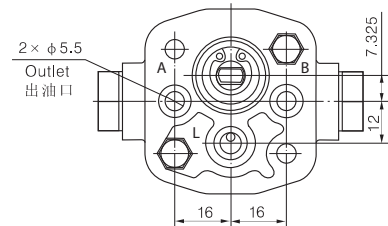
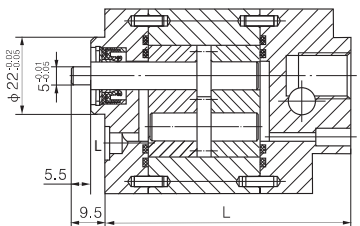
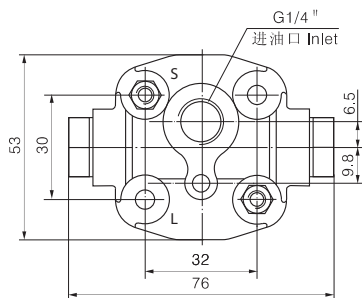
双向旋转 Bidirectional

进油口位置  
Inlet/Outlet Position

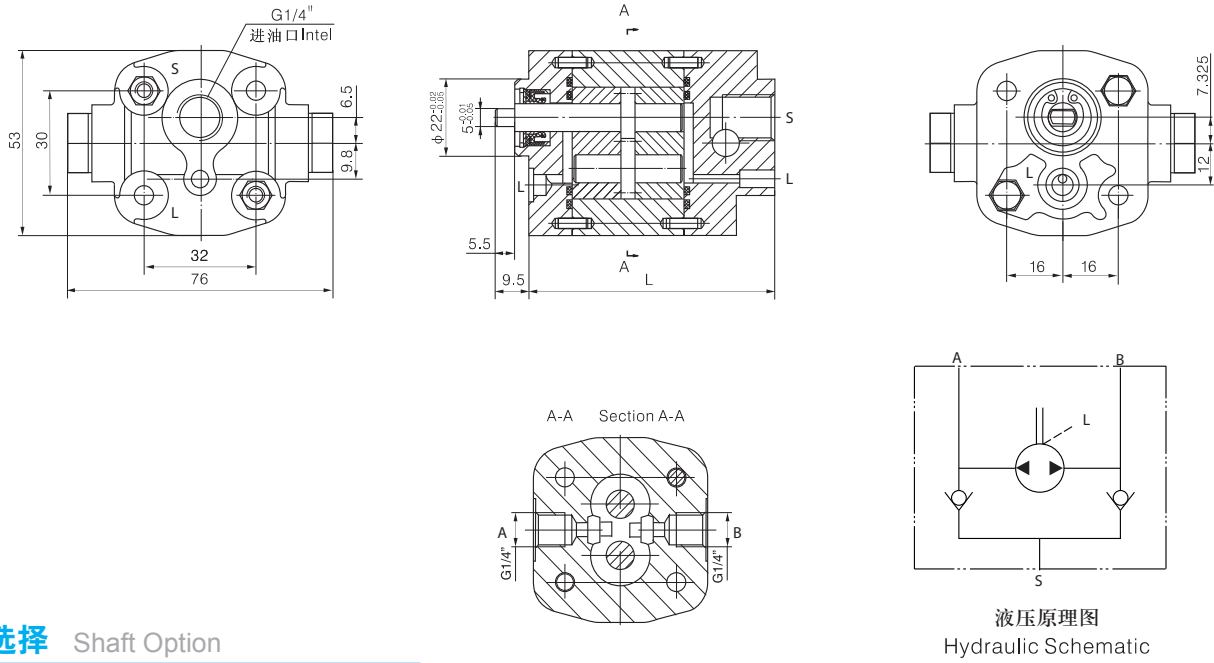
B	后盖进 泵体出 Rear in/Side out
空白 Omit	后盖进 前盖出 Rear in/Front out

### 外形尺寸图 Outline Dimension

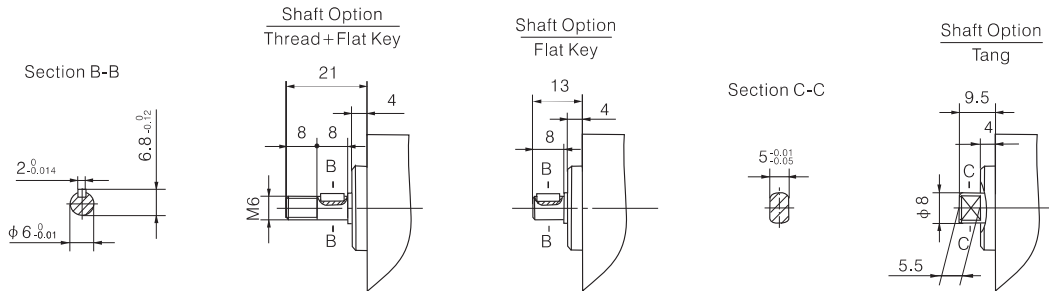
CB-E\*S



CB-E\*BS



轴端选择 Shaft Option



技术参数 Technical Data

Model 型号	Displacement 排量 (mL/r)	压力 pressure (MPa)			Speed (RPM) 转速	尺寸 Displacement L(mm)	Efficiency 容积效率
		P1	P2	P3			
CB-E0.26*S*	0.27	16	18	20	3000	68.7	80%
CB-E0.32*S*	0.33					69.2	
CB-E0.38*S*	0.39					82%	69.6
CB-E0.50*S*	0.49						70.5
CB-E0.60*S*	0.61						71.5
CB-E0.63*S*	0.64						71.7
CB-E0.75*S*	0.76						72.7
CB-E0.88*S*	0.88						73.7
CB-E1.00*S*	1.00					85%	74.7
CB-E1.25*S*	1.25						76.7
CB-E1.50*S*	1.54	79					