

Welcome To **BUCHER** hydraulics

POWER UNITS

Our quality: We always adhere to the implementation of ISO9001 quality management system and continuously strengthen and improve internal management, as well as providing our customers with best quality products. Quality and service is our sincere commitment.



Search:

Position: Index >> Products

Gear Pumps and Gear Motors Power Units Hydraulic Valves Accessories

CB-E**S* Bidirectional Gear Pumps

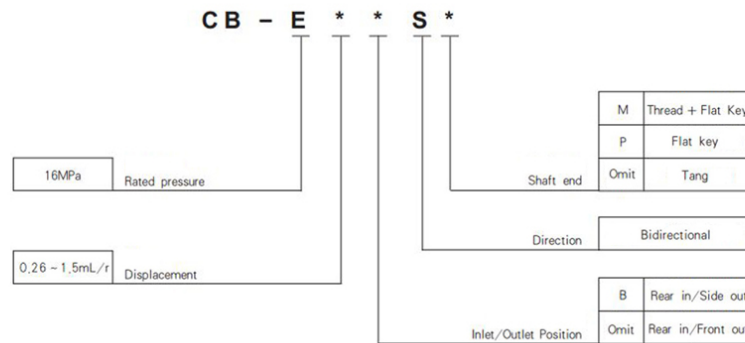
CB-ES* Bidirectional Gear Pumps**

General Description



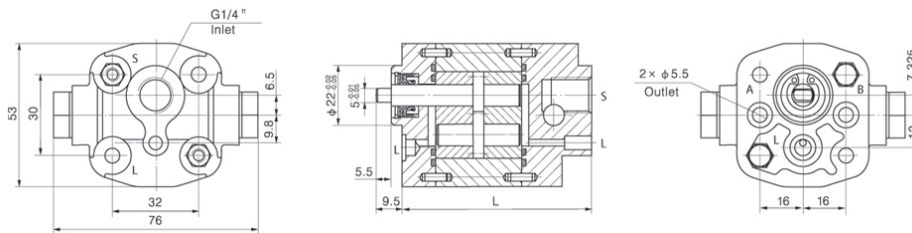
CB-E**S* Bidirectional Gear Pump has a low displacement. It consists of a gear pair supported by bearing blocks, a housing, a flange and a rear cover. Equipped with two check valves in the rear cover, the pump can work in both cw and ccw direction. It is suitable for small bidirectional hydraulic systems.

Order Code



Outline Dimension

CB-E*S

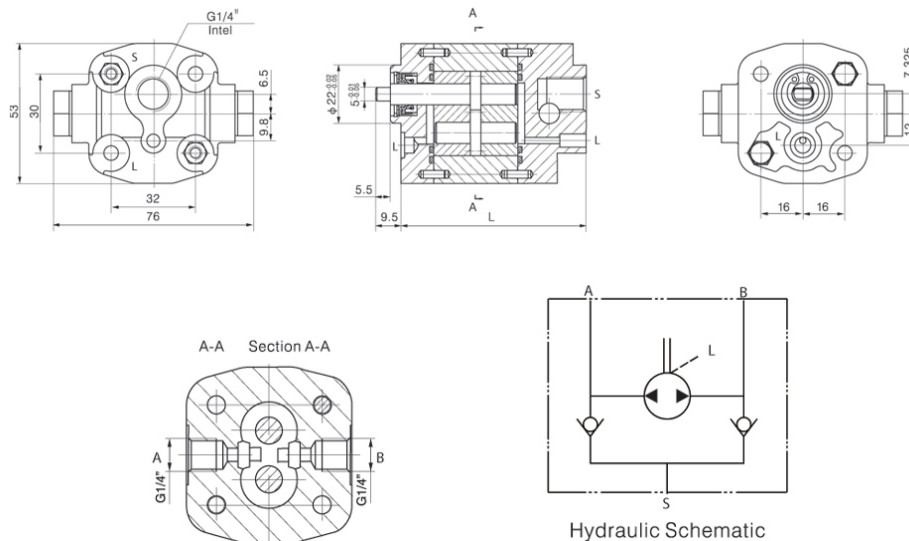


CB-E*BS

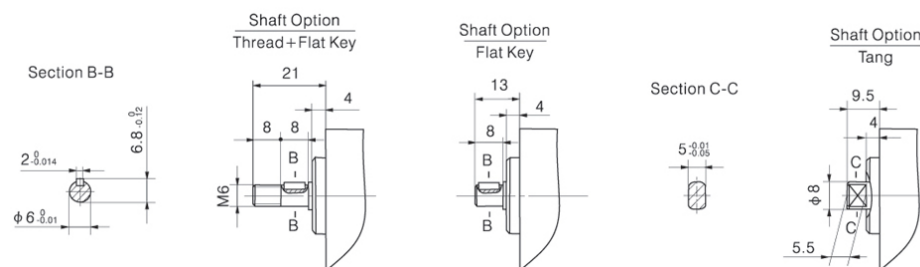


OIL SOLUTIONS

PO Box 38
Strathfieldsaye, VIC, 3551
1800 OIL SOL
1800 645 765
sales@oilsolutions.com.au
www.oilsolutions.com.au
"For All Your Hydraulic Needs"



Shaft Option



Technical Data

Model	Displacement (mL/r)	pressure (MPa)			Speed (RPM)	Displacement L(mm)	Efficiency
		P1	P2	P3			
CB-E0.26*S*	0.27	16	18	20	3000	68.7	80%
CB-E0.32*S*	0.33					69.2	
CB-E0.38*S*	0.39					69.6	82%
CB-E0.50*S*	0.49					70.5	
CB-E0.60*S*	0.61					71.5	85%
CB-E0.63*S*	0.64					71.7	
CB-E0.75*S*	0.76					72.7	
CB-E0.88*S*	0.88					73.7	
CB-E1.00*S*	1.00					74.7	
CB-E1.25*S*	1.25					76.7	85%
CB-E1.50*S*	1.54	79					