

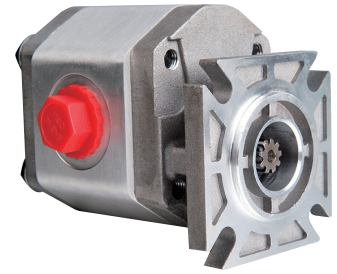
CB1S 齿轮泵

CB1S GEAR PUMPS

简介 General Description

CB1S 齿轮泵系高压小排量齿轮油泵，由一对高强度齿轮、轴套、泵体、前盖、后盖等主要部件组成，具有美国 STN 安装尺寸，轴向间隙由高精度浮动轴套自动补偿，使得 CB1S 齿轮泵具有较高的机械效率和容积效率，该泵噪音低、可靠性高，广泛应用于卡车的液压系统，举升和传送机械，矿山机械，农业机械等。

The CB1S gear pump consists of a gear pair supported by two aluminum bearing blocks, a housing, front cover and rear cover. Its STN mounting dimension enable it to enjoy a good market share in the US and European countries. The axial clearance can be automatically compensated by the bearing blocks. The features of CB1S pump are simple structure, high mechanical and volumetric efficiency low noise level as well as high reliability. It is widely used in the hydraulic system of truck, lift and transport machinery, mine machinery, and agriculture machinery, etc.

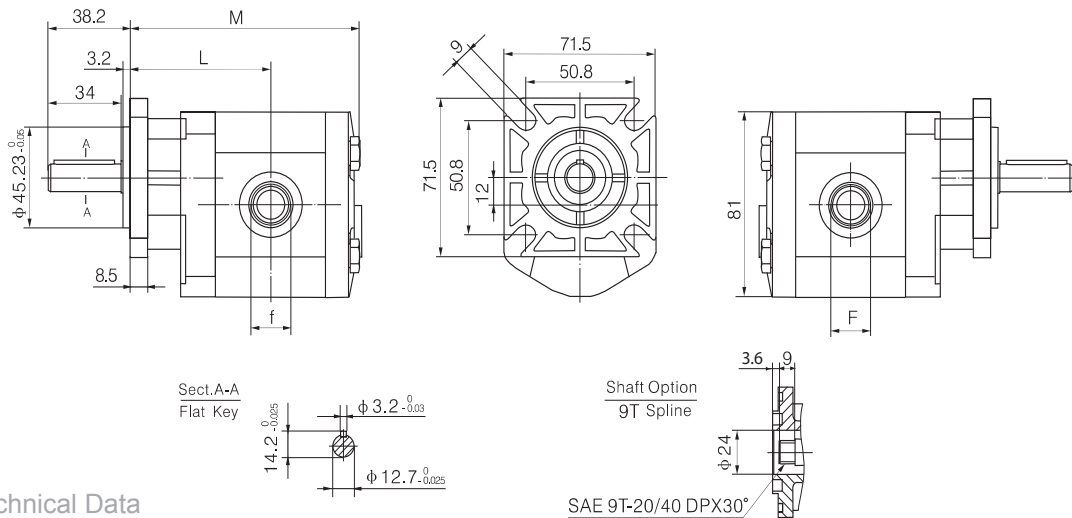


型谱 Order Code

CB1S - F * * * *

20MPa	额定压力 Rated Pressure				
1.3 ~ 13 mL/r	排量 Displacement				
空白或 S Omit or S	SAE 油口 SAE O-ring boss				轴端形式 Shaft Option
A	管螺纹 (BSPP) Gas Threaded Ports (BSPP)				空白 Omit
B	公制螺纹 Metric Threaded Ports				A
	油口形式 Port Configurations				9 齿花键 9T Spline
					平键 Flat key
					旋向 Direction
					空白 Omit
					右旋 CW
					左旋 CCW

外形尺寸图 Outline Dimension



技术参数 Technical Data

Model 型号	Displacement 排量 mL/r (in ³ /r)	压力 (MPa) pressure			转速 (RPM) pressure		尺寸 Dimension			
		P1	P2	P3	Rated	Max	L (mm)	M (mm)	F 进油口 (Inlet)	f 出油口 (Outlet)
CB1S-F1.3 *	1.36 (0.083)	20	25	28	2000	4000	58.8	98.8	SAE 口 SAE port 3/4-16UN	SAE 口 SAE port 9/16-18UN
CB1S-F2 *	2.05 (0.125)						59.8	100.8	BSP 口 BSP port G1/2"	BSP 口 BSP port G3/8"
CB1S-F2.7 *	2.74 (0.167)						60.8	102.8	公制口 Metric port M18X1.5	公制口 Metric port M14X1.5
CB1S-F3.2 *	3.42 (0.209)						61.8	104.8		
CB1S-F4 *	4.10 (0.250)						62.8	106.8		
CB1S-F5 *	5.13 (0.313)						64.8	109.8		
CB1S-F6 *	6.16 (0.376)	65.8	112.8							
CB1S-F7 *	7.52 (0.459)	18	20	22	2000	3500	67.8	116.8	7/8-14UN G3/4" M22X1.5	3/4-16UN G1/2" M18X1.5
CB1S-F9 *	9.23 (0.563)						3000	70.3		
CB1S-F10 *	10.95 (0.668)	15	18	20	2000	2500	72.8	126.8		
CB1S-F13 *	13.68 (0.835)						2000	76.8	134.8	