

CBM1 齿轮泵

CBM1 GEAR PUMPS

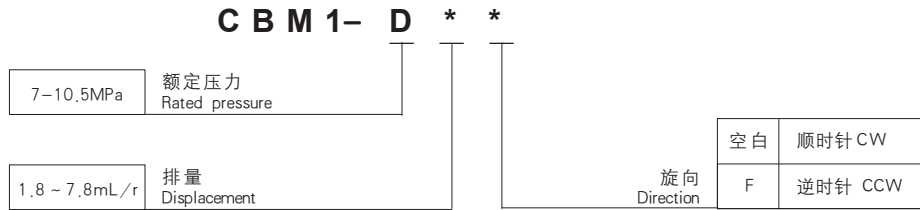
简介 General Description

CBM1 齿轮油泵采用高强度的压铸铝合金制成的前、后盖和粉末冶金泵体、高强度齿轮和轴，结构简单合理，且该齿轮泵具有体积小、重量轻、效率高、噪音低和寿命长等优点。

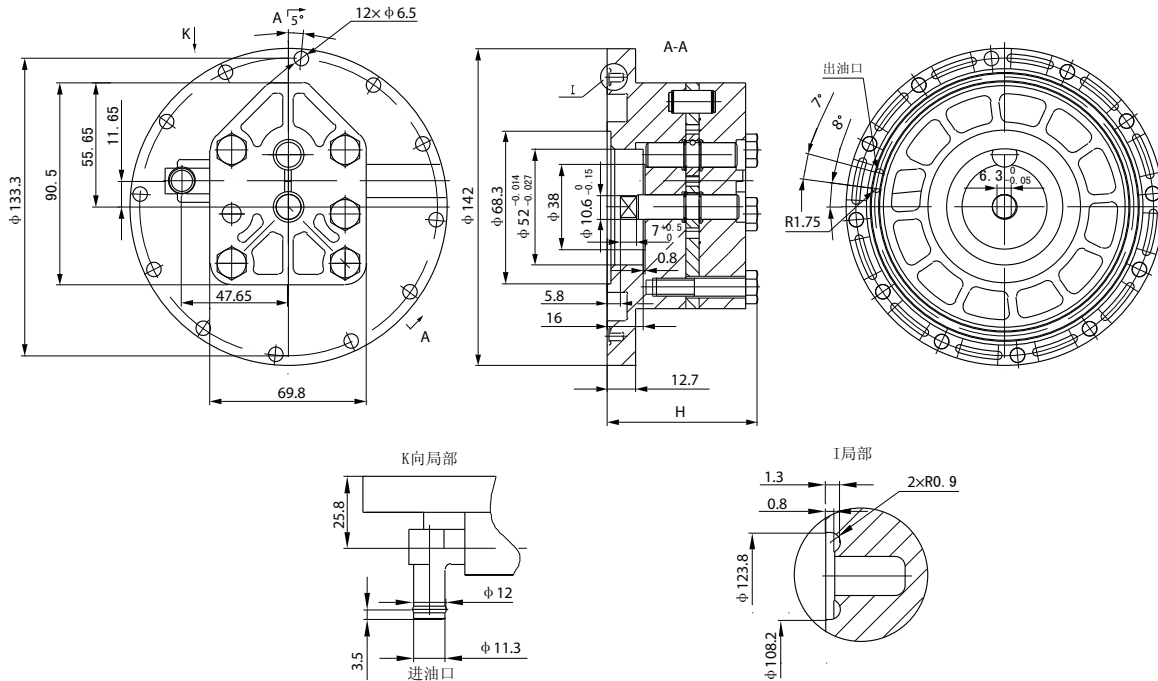
The CBM1 gear pump consists of a gear pair, a housing, a front cover and a rear cover. The CBM1 Series Gear Pump features high mechanical and volumetric efficiency, low noise level as well as low weight/power ratio.



型谱 Order Code



外形尺寸图 Outline Dimension



技术参数 Technical Data

Model 型号	Displacement 排量 mL/r (in ³ /r)	压力 pressure (MPa)		Speed (RPM) 额定转速	H	Efficiency 容积效率	Overall Efficiency 总效率
		额定 Rated (MPa)	最高 Max (MPa)				
CBM1-D1.8	1.92	10.5	14	1775	67	> 85%	> 72%
CBM1-D3.2	3.32						
CBM1-D4.2	4.36	9.1	12.5		71.3		
CBM1-D6.3	6.38				74.5		
CBM1-D7.8	8.26	7		1450	80.7		
					86.5		