

Welcome To **BUCHER** hydraulics

POWER UNITS

Our quality: We always adhere to the implementation of ISO9001 quality management system and continuously strengthen and improve internal management, as well as providing our customers with best quality products. Quality and service is our sincere commitment.



Search:

Position: Index >> Products

Gear Pumps and Gear Motors Power Units Hydraulic Valves Accessories

CBNA Hi/low Gear Pumps

CBNA Hi/low Gear Pumps

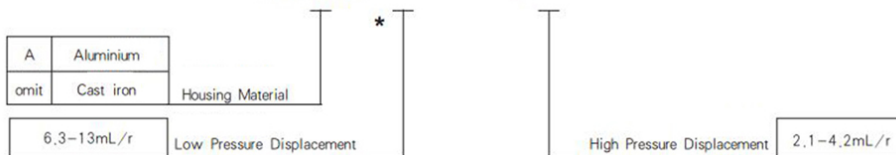
General Description



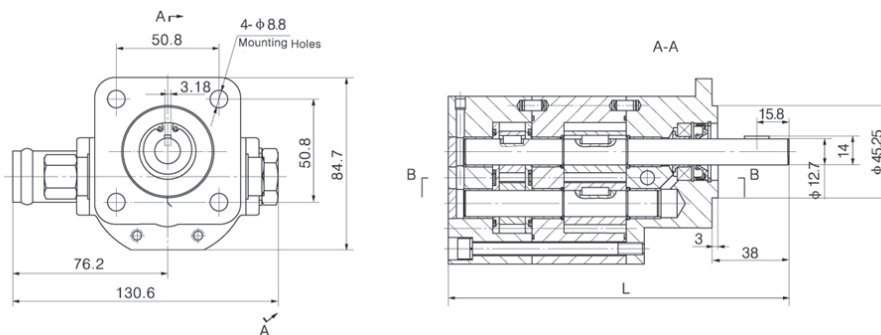
The CBN gear pump consists of a big displacement, low pressure pump and a small displacement, high pressure pump, a check valve as well as a relief valve. When working at the pressure lower than the relief pressure, both big and small pump supply volume. When working at a high pressure, only small pump supplies volume, which highly reduces the power consumption. The CBN pump is widely used in log splitter, press, machine tools.

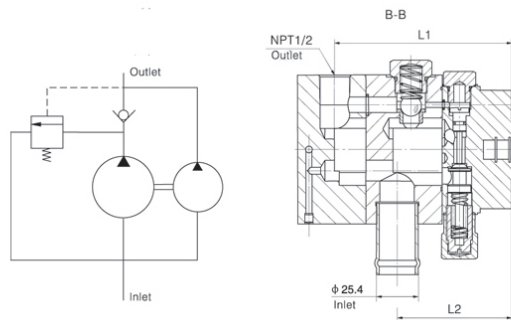
Order Code

CBNA - * /



Outline Dimension





Technical data

Model	Flow L/min (GPM)	Displacement (mL/r)		Pressure(MPa)		Speed (RPM)	Dimension(mm)		
		Hi Pre.	Low Pre.	Unload	Work		L	L1	L2
CBNA-6.3/2.1	30(8)	2.1	6.3	Range: 2.8-6.3	21	3600	154.2	95.2	6N.2
CBNA-6.3/3.0	33.5(8.5)	3.0	6.3				157.8	95.2	6N.2
CBNA-6.3/3.6	35.5(9)	3.6	6.3				159.9	99.6	6N.6
CBNA-8.8/1.6	37.4(10)	1.6	8.8				162	103.6	69.6
CBNA-8.8/2.1	39(10)	2.1	8.8				162.7	103.6	69.6
CBNA-8.8/3.0	42(10.5)	3.0	8.8				166.2	103.6	69.6
CBNA-8.8/3.6	44(11)	3.6	8.8				167.9	No7.6	69.6
CBNA-8.8/4.2	46(11.5)	4.2	8.8				N7o.2	No9.9	69.6
CBNA-10.9/2.1	46(12)	2.1	10.9				N7o.2	No9.9	77.N
CBNA-10.9/3.0	50(12.5)	3.0	10.9				N73.7	NN3.4	77.N
CBNA-10.9/3.6	50(13)	3.6	10.9				N75.4	NN5.N	77.N
CBNA-10.9/4.2	52(13.5)	4.2	10.9				N77.7	117.4	77.N
CBNA-13/3.0	58(15.4)	3.0	13				N8o.7	N22.N	84.N
CBNA-13/4.2	62(16.4)	4.2	13				N84.7	N22.N	84.N

Copyright: Bucher Hydraulics (Wuxi)Co.,Ltd. 编号: 苏ICP备18069474号-1