

Welcome To **BUCHER** hydraulics

POWER UNITS

Our quality: We always adhere to the implementation of ISO9001 quality management system and continuously strengthen and improve internal management, as well as providing our customers with best quality products. Quality and service is our sincere commitment.



Search:

Position: Index >> Products

Gear Pumps and Gear Motors Power Units Hydraulic Valves Accessories

CBR Gear Pumps

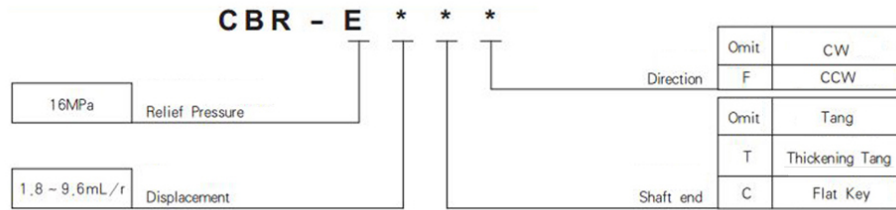
CBR Gear Pumps

General Description

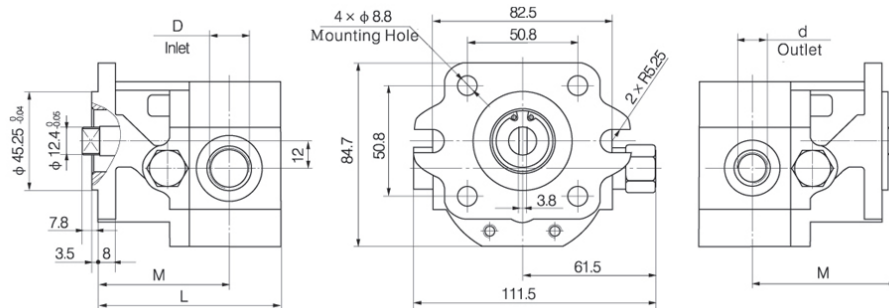


Equipped with a relief valve and a check valve, the CBR pump features small displacement, high pressure. Its axial clearance is compensated automatically by the floating side plates. It is easy to get a "power up, gravity down" circuit by combining CBR pump and a two-way two positions release valve.

Order Code



Outline Dimension

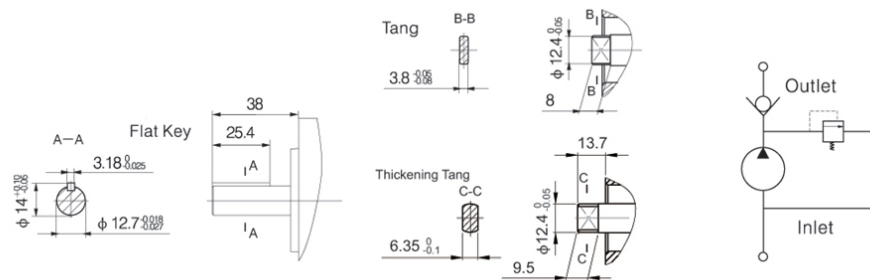


Shaft Option



OIL SOLUTIONS

PO Box 38
Strathfieldsaye, VIC, 3551
1800 OIL SOL
1800 645 765
sales@oilsolutions.com.au
www.oilsolutions.com.au
"For All Your Hydraulic Needs"



Technical Data

Model	Displacement mL/r (in ³ /r)	Rated Pressure (MPa)	Relief Pre (MPa)	Speed (RPM)		L (mm)	M (mm)	D Inlet	d Outlet
				Rated	Max				
CBR-E1.8**	1.88 (0.11)	12	17.5	2000	3450	93.8	65.3	SAE 油口 SAE Port 3/4-16UN	SAE 油口 SAE Port 9/16-18UN
CBR-E2.1**	2.1 (0.13)					94.8			
CBR-E2.6**	2.6 (0.15)					96.3			
CBR-E3**	3.18 (0.18)					98.3			
CBR-E3.6**	3.6 (0.22)					100	71.8		
CBR-E4**	4.2 (0.26)					102.3			
CBR-E5**	4.89 (0.3)					104.2			
CBR-E7.7**	7.81 (0.47)					8	14		
CBR-E9.6**	9.69 (0.59)	120.8							

Copyright: Bucher Hydraulics (Wuxi) Co., Ltd. 编号: 苏ICP备18069474号-1