

Welcome To **BUCHER** hydraulics

POWER UNITS

Our quality: We always adhere to the implementation of ISO9001 quality management system and continuously strengthen and improve internal management, as well as providing our customers with best quality products. Quality and service is our sincere commitment.



Search:

Position: Index >> Products

Gear Pumps and Gear Motors Power Units Hydraulic Valves Accessories

CBS Gear Pump

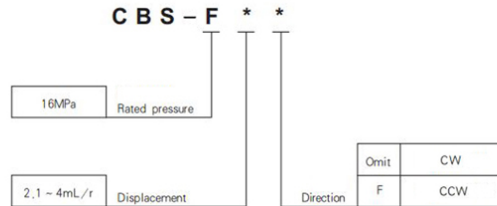
CBS Gear Pump

General Description

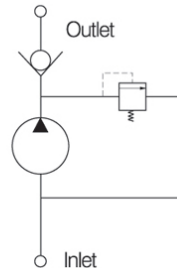


Equipped with a relief valve and a check valve, the CBS series product is a small displacement, high pressure gear pump whose axial clearance is compensated automatically by the floating side plates. Its STN mounting dimension and SAE spline shaft enable it to enjoy a good market share in the US and European countries. It is easy to get a "power up, gravity down" circuit by combination of a CBS pump and a 2 way, 2 position release valve.

Order Code



Outline Dimension



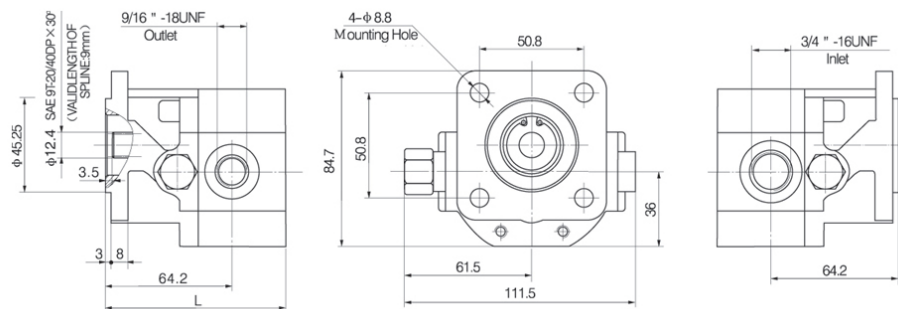
OIL SOLUTIONS

**PO Box 38
Strathfieldsaye, VIC, 3551
1800 OIL SOL
1800 645 765**

sales@oilsolutions.com.au

www.oilsolutions.com.au

"For All Your Hydraulic Needs"



Technical data

Model	Displacement mL/r(in ³ /r)	Rated Pressure (MPa)	Relief Pre (MPa)	Relief Pre (MPa)	Speed (RPM)		L(mm)	Efficiency
					Rated	Max		
CBS-F2.1*	2.1(0.13)	16	21	21	2000	3450	87.2	86%
CBS-F3*	3.18(0.18)						90.7	
CBS-F3.6*	3.6(0.22)						92.4	
CBS-F4*	4.2(0.26)						94.7	

Copyright: Bucher Hydraulics (Wuxi)Co.,Ltd. 编号: 苏ICP备18069474号-1