

CB2E 齿轮泵

GROUP2 EUROPEAN STYLE GEAR PUMPS

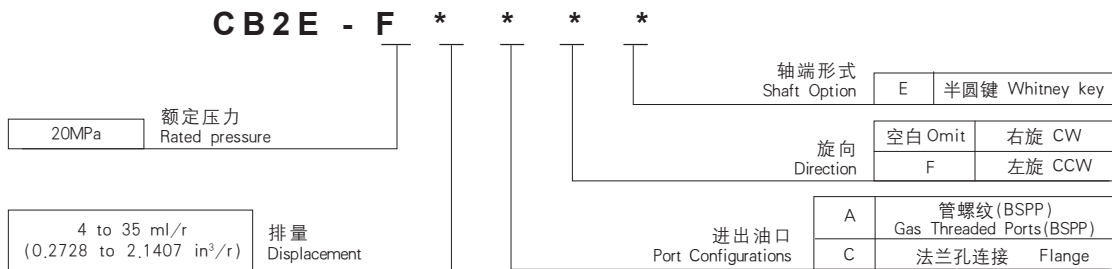
简介 General Description

CB2E 齿轮泵系高压小排量齿轮油泵，由一对高强度齿轮、轴套、泵体、前盖、后盖等主要部件组成，轴向间隙由高精度浮动轴套自动补偿，使得CB2E 齿轮泵具有高的机械效率和容积效率，该泵噪音低、可靠性高，低的重量 / 功率比，该系列泵具有顺时针、逆时针两种旋向。

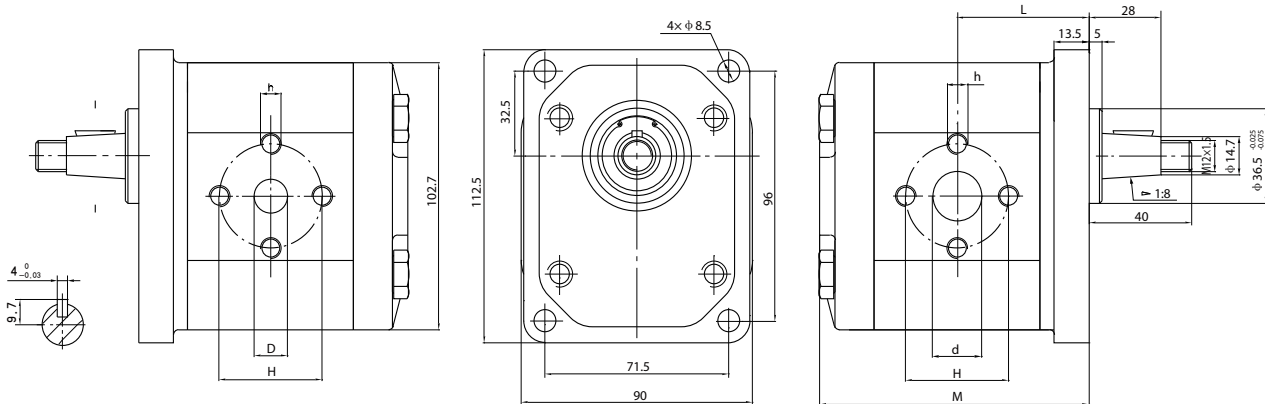
The CB2E gear pump consists of a gear pair supported by two aluminum bearing blocks, a housing, front cover and rear cover. The axial clearance can be automatically compensated by the bearing blocks. The CB2E pump features simple structure, high mechanical and volumetric efficiency, low noise, high reliability, as well as low weight/power ratio. Both CW and CCW directions pumps are available.



型谱 Order Code



外形尺寸图 Outline Dimension



技术参数 Technical Data

Model 型号	Displacement 排量 mL/r(in ³ /r)	压力(MPa) pressure			转速(RPM)Speed		管螺纹 BSPP		法兰连接尺寸 Dimension					
		P1	P2	P3	Rated	Max	进油口 Intel	出油口 Outlet	L	M	d	D	h	H
CB2E-F4***	4.47 (0.2728)	20	25	28	2000	4000	G3/4"	G1/2"	45.65	93.3	13	13	M6	30
CB2E-F6***	6.37 (0.3887)								47.15	96.4	13	13	M6	30
CB2E-F7***	7.01 (0.4278)								47.75	97.5	13	13	M6	30
CB2E-F9***	9.57 (0.5840)								49.65	101.4	13	13	M6	30
CB2E-F11***	11.49 (0.7012)								51.35	104.7	19	13	M8	40
CB2E-F14***	14.04 (0.8568)								53.45	109	19	13	M8	40
CB2E-F15***	15.94 (0.9727)								54.95	112	19	13	M8	40
CB2E-F17***	17.76 (1.0900)								56.45	115	19	13	M8	40
CB2E-F21***	21.06 (1.2852)	18	20	22	1500	2200	G1"	G3/4"	59.15	120.4	19	19	M8	40
CB2E-F23***	23.61 (1.4408)								60.95	124	19	19	M8	40
CB2E-F28***	28.07 (1.7129)								64.05	130.2	19	19	M8	40
CB2E-F35***	35.08 (2.1407)								70.65	143.3	21	19	M8	40