

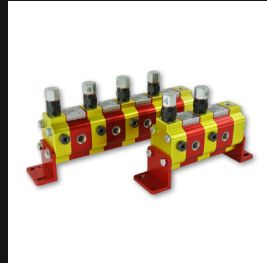
Hydraulics Network



1800-OILSOL
1800-645765

<https://oilsolutions.com.au/>

sales@oilsolutions.com.au



GEAR PUMPS, MOTORS & FLOW DIVIDERS

2023

ORDER CODES FOR VIVOIL GROUP 0 PUMPS

| Series | Group | Pump | Displacement | Flange | Shaft | Inlet Port | Outlet Port | Rear Cover |
|--------|-------|------|--------------|--------|-------|------------|-------------|------------|
| X | 0 | P | 05 | 02 | A | B | B | A |

| DISPLACEMENT | |
|--------------|----|
| 0.16cc | 01 |
| 0.24cc | 02 |
| 0.45cc | 04 |
| 0.56cc | 05 |
| 0.75cc | 06 |
| 0.98cc | 07 |
| 1.27cc | 09 |
| 1.48cc | 11 |
| 2.28cc | 13 |

| SHAFT |
|---|
| <p>CI001 - Parallel</p> <p>$T_2 = 2.1 \text{ [Nm]}$</p> <p>Parallel $\varnothing 7 \text{ mm}$ M7x1 Key 2mm</p> |

| REAR COVER |
|------------|
| |

| FLANGE |
|-----------------------|
| <p>LEFT ROTATION</p> |
| 01 |
| <p>RIGHT ROTATION</p> |
| 02 |

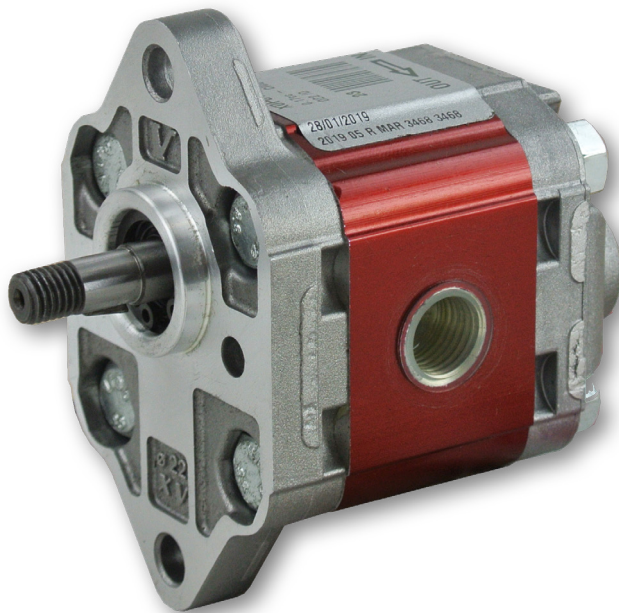
| PORTS | INLET | OUTLET |
|---------------|-------|--------|
| 0.17cc | B | B |
| 0.25cc | B | B |
| 0.45cc | B | B |
| 0.57cc | B | B |
| 0.76cc | B | B |
| 0.98cc | B | B |
| 1.27cc | B | B |
| 1.52cc | B | B |
| 2.30cc | B | B |
| B = 1/4" BSPP | | |

Group 0 Pump DIN Mount, M7x1 Keyed Shaft

| Part # | List Price \$ | CC | Maximum Pressure (bar) | | Max/Min Speed (RPM) | Port S | Port P | Dimension (mm) | | |
|-------------|---------------|------|------------------------|------|---------------------|-----------|-----------|----------------|------|------|
| | | | Working | Peak | | | | A | B | C |
| XOP0102ABBA | | 0.16 | 220 | 260 | 700/9000 | 1/4" BSPP | 1/4" BSPP | 55.8 | 26.2 | 46.8 |
| XOP0202ABBA | | 0.24 | 220 | 260 | 700/9000 | 1/4" BSPP | 1/4" BSPP | 56.4 | 26.5 | 47.4 |
| XOP0402ABBA | | 0.45 | 220 | 237 | 700/9000 | 1/4" BSPP | 1/4" BSPP | 58 | 27.3 | 49 |
| XOP0502ABBA | | 0.56 | 191 | 191 | 700/9000 | 1/4" BSPP | 1/4" BSPP | 59 | 27.8 | 50 |
| XOP0602ABBA | | 0.75 | 142 | 142 | 700/9000 | 1/4" BSPP | 1/4" BSPP | 60.5 | 28.5 | 51.5 |
| XOP0702ABBA | | 0.92 | 116 | 116 | 700/6000 | 1/4" BSPP | 1/4" BSPP | 62 | 29.3 | 53 |
| XOP0902ABBA | | 1.26 | 85 | 85 | 700/6000 | 1/4" BSPP | 1/4" BSPP | 64.5 | 30.5 | 55.5 |
| XOP1102ABBA | | 1.48 | 72 | 72 | 700/6000 | 1/4" BSPP | 1/4" BSPP | 66.5 | 31.5 | 57.5 |
| XOP1302ABBA | | 2.28 | 47 | 47 | 700/5000 | 1/4" BSPP | 1/4" BSPP | 72.5 | 34.5 | 63.5 |

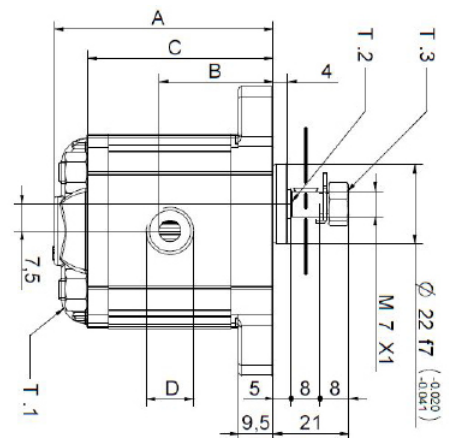
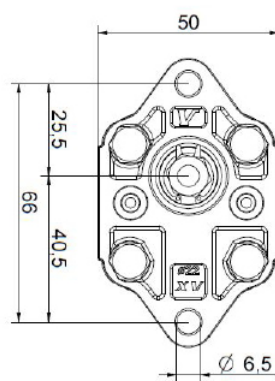
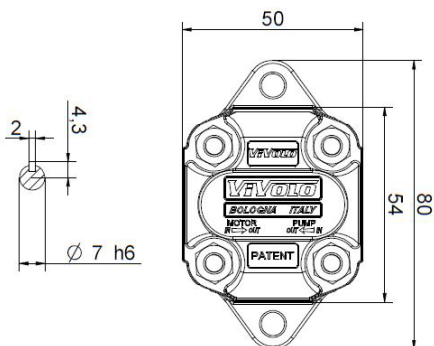
Group 0 Pump Seal Kit

| Part # | List Price \$ | Material |
|-----------|---------------|----------|
| 8KGX0P1.A | | NBR |



CW (standard) or CCW rotation available

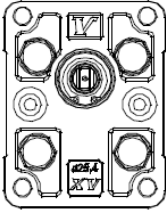
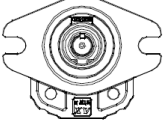
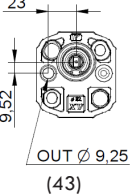
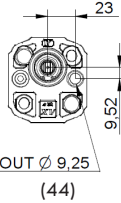
Group 0-3 tandem pump compatible

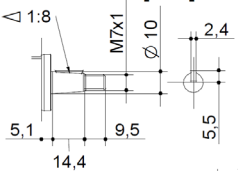
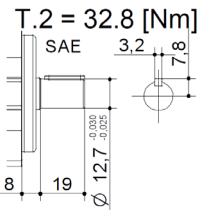
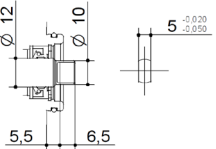


ORDER CODES FOR VIVOIL GROUP 1 PUMPS

| Series | Group | Pump | Displacement | Flange | Shaft | Inlet Port | Outlet Port | Rear Cover |
|--------|-------|------|--------------|--------|-------|------------|-------------|------------|
| X | 1 | P | 27 | 01 | F | B | B | A |

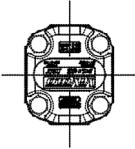
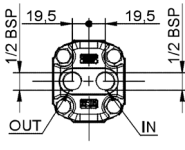
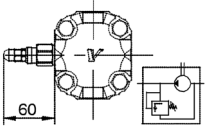
| DISPLACEMENT | |
|--------------|----|
| 0.91cc | 16 |
| 1.17cc | 17 |
| 1.56cc | 18 |
| 2.08cc | 20 |
| 2.60cc | 21 |
| 3.12cc | 23 |
| 3.64cc | 25 |
| 4.16cc | 27 |
| 4.94cc | 29 |
| 5.85cc | 31 |
| 6.50cc | 32 |
| 7.54cc | 34 |
| 9.88cc | 36 |

| FLANGE | LEFT ROTATION | RIGHT ROTATION |
|--|--|----------------|
| |  DIN Group 1 | 01 |
|  SAE-AA | 61 | 62 |
|  OUT Ø 9.25 (43) | 43 | 44 |
|  OUT Ø 9.25 (44) | 41 | 42 |

| SHAFT | |
|--|---|
| <p>CO001 - Tapered</p> <p>T.2 = 43 [Nm]</p>  <p>Tapered 1:8 Ø 10mm - M7x1 Key 2.4mm</p> | F |
| <p>CI002 - Parallel</p> <p>T.2 = 32.8 [Nm]</p>  <p>Parallel Ø 1/2" - Key 3.2mm</p> | B |
| <p>CF002 - Milled shank</p> <p>T.2 = 13.8 [Nm]</p>  | D |

| PORTS | INLET | OUTLET |
|-------|-------|--------|
| 0.9cc | B | B |
| 1.2cc | B | B |
| 1.7cc | B | B |
| 2.2cc | B | B |
| 2.6cc | B | B |
| 3.2cc | C | B |
| 3.8cc | C | B |
| 4.3cc | C | B |
| 4.9cc | C | B |
| 5.9cc | C | B |
| 6.5cc | C | B |
| 7.8cc | C | B |
| 9.8cc | C | B |

B = 3/8" BSPP, C = 1/2" BSPP

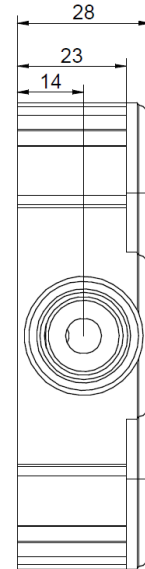
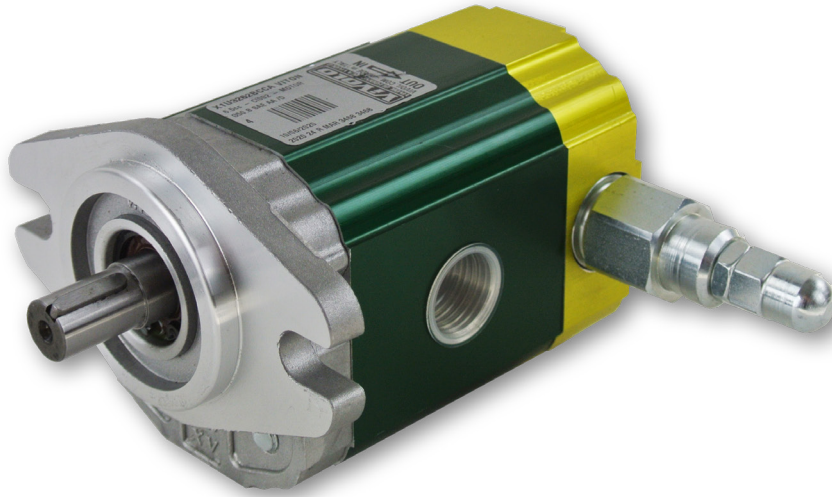
| REAR COVER | |
|---|-------------------|
|  | A |
|  | D |
|  | With Relief Valve |
| N-11 | 10-105 bar |
| N-12 | 70-210 bar |
| N-13 | 140-350 bar |

RELIEF VALVES OPTIONS ON NEXT PAGE

Please note:
Additional costs apply for non-standard options

Group 1 Pump Rear Cover with Integrated Relief Valve

| Part # | List Price \$ | Maximum Flow Rate | Relief Range | |
|--------|---------------|-------------------|--------------|---------|
| | | | Minimum | Maximum |
| N-11 | | 50 lpm | 10 bar | 105 bar |
| N-12 | | 50 lpm | 70 bar | 210 bar |
| N-13 | | 50 lpm | 140 bar | 350 bar |



Please Note:

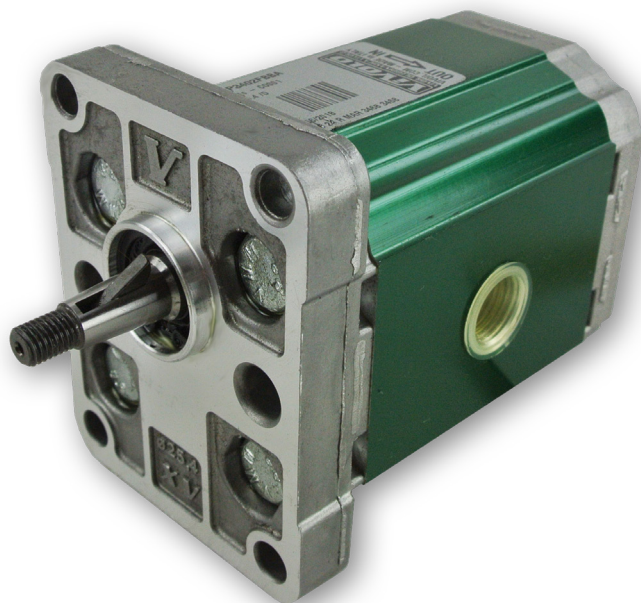
Pricing for rear cover with integrated relief valve is in addition to standard pump price.

Group 1 Pump DIN Mount, 1:8 Tapered Shaft

| Part # | List Price \$ | CC | Maximum Pressure (bar) | | Max/Min Speed (RPM) | Port S | Port P | Dimension (mm) | | |
|-------------|---------------|------|------------------------|------|---------------------|-----------|-----------|----------------|------|-------|
| | | | Working | Peak | | | | A | B | C |
| X1P1602FBBA | | 0.91 | 240 | 280 | 6000/700 | 3/8" BSPP | 3/8" BSPP | 78.1 | 37.3 | 66.1 |
| X1P1702FBBA | | 1.17 | 250 | 290 | 6000/700 | 3/8" BSPP | 3/8" BSPP | 79.0 | 37.8 | 67.0 |
| X1P1802FBBA | | 1.56 | 250 | 290 | 6000/700 | 3/8" BSPP | 3/8" BSPP | 80.5 | 38.5 | 68.5 |
| X1P2002FBBA | | 2.08 | 250 | 290 | 6000/700 | 3/8" BSPP | 3/8" BSPP | 82.5 | 39.5 | 70.5 |
| X1P2102FBBA | | 2.60 | 250 | 300 | 6000/700 | 3/8" BSPP | 3/8" BSPP | 84.5 | 40.5 | 72.5 |
| X1P2302FCBA | | 3.12 | 250 | 300 | 6000/700 | 1/2" BSPP | 3/8" BSPP | 86.5 | 41.5 | 74.5 |
| X1P2502FCBA | | 3.64 | 250 | 300 | 6000/700 | 1/2" BSPP | 3/8" BSPP | 88.5 | 42.5 | 76.5 |
| X1P2702FCBA | | 4.16 | 250 | 300 | 6000/700 | 1/2" BSPP | 3/8" BSPP | 90.5 | 43.5 | 78.5 |
| X1P2902FCBA | | 4.94 | 250 | 300 | 6000/700 | 1/2" BSPP | 3/8" BSPP | 93.5 | 45.0 | 81.5 |
| X1P3102FCBA | | 5.85 | 250 | 300 | 5000/700 | 1/2" BSPP | 3/8" BSPP | 97.0 | 46.8 | 85.0 |
| X1P3202FCBA | | 6.50 | 250 | 300 | 5000/700 | 1/2" BSPP | 3/8" BSPP | 98.5 | 48.0 | 86.5 |
| X1P3402FCBA | | 7.54 | 220 | 260 | 5000/700 | 1/2" BSPP | 3/8" BSPP | 103.5 | 50.0 | 91.5 |
| X1P3602FCBA | | 9.88 | 190 | 230 | 4000/700 | 1/2" BSPP | 3/8" BSPP | 112.5 | 54.5 | 100.5 |

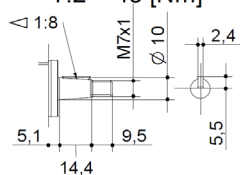
Group 1 Pump Seal Kit

| Part # | List Price \$ | Material |
|-----------|---------------|----------|
| 8KGX1P1.A | | NBR |
| 8KGX1P1.V | | Viton |



CO001 - Tapered

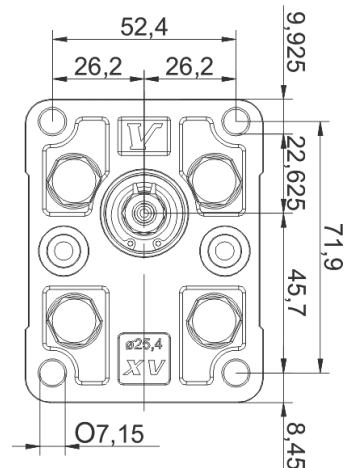
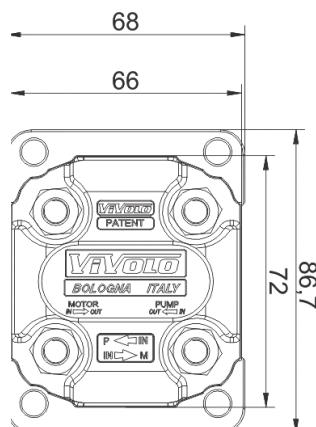
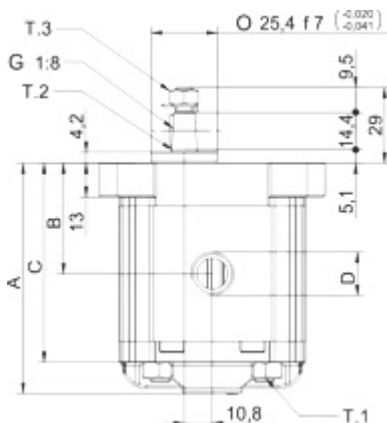
T.2 = 43 [Nm]



CW (standard) or CCW rotation available

Relief valves/tandem pumps available

SAE A-2 bolt w/ keyed shaft available

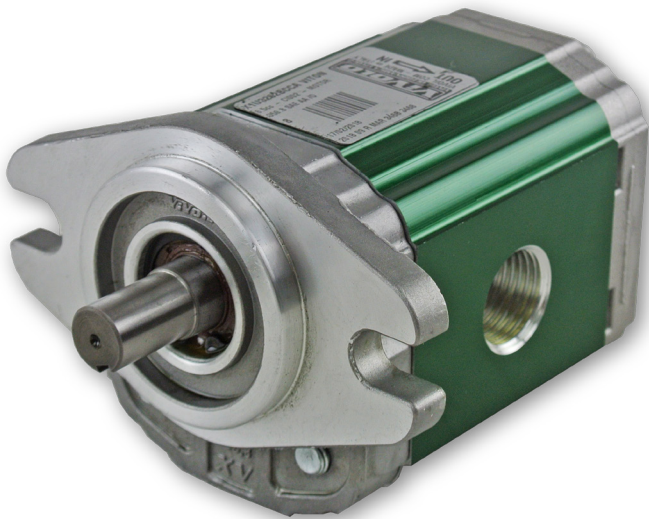


Group 1 Pump SAE AA Mount, 1/2" Keyed Shaft

| Part # | List Price \$ | CC | Maximum Pressure (bar) | | Max/Min Speed (RPM) | Port S | Port P | Dimension (mm) | | |
|-------------|---------------|------|------------------------|------|---------------------|-----------|-----------|----------------|------|-------|
| | | | Working | Peak | | | | A | B | C |
| X1P1662BBBA | | 0.91 | 240 | 280 | 6000/700 | 3/8" BSPP | 3/8" BSPP | 82.6 | 41.8 | 70.6 |
| X1P1762BBBA | | 1.17 | 250 | 290 | 6000/700 | 3/8" BSPP | 3/8" BSPP | 83.5 | 42.3 | 71.5 |
| X1P1862BBBA | | 1.56 | 250 | 290 | 6000/700 | 3/8" BSPP | 3/8" BSPP | 85.0 | 43.0 | 73.0 |
| X1P2062BBBA | | 2.08 | 250 | 290 | 6000/700 | 3/8" BSPP | 3/8" BSPP | 87.0 | 44.0 | 75.0 |
| X1P2162BBBA | | 2.60 | 250 | 300 | 6000/700 | 3/8" BSPP | 3/8" BSPP | 89.0 | 45.0 | 77.0 |
| X1P2362BCBA | | 3.12 | 250 | 300 | 6000/700 | 1/2" BSPP | 3/8" BSPP | 91.0 | 46.5 | 79.0 |
| X1P2562BCBA | | 3.64 | 250 | 300 | 6000/700 | 1/2" BSPP | 3/8" BSPP | 93.0 | 47.0 | 81.0 |
| X1P2762BCBA | | 4.16 | 250 | 300 | 6000/700 | 1/2" BSPP | 3/8" BSPP | 95.0 | 48.0 | 83.0 |
| X1P2962BCBA | | 4.94 | 250 | 300 | 6000/700 | 1/2" BSPP | 3/8" BSPP | 98.0 | 49.5 | 86.0 |
| X1P3162BCBA | | 5.85 | 250 | 299 | 5000/700 | 1/2" BSPP | 3/8" BSPP | 101.5 | 51.3 | 89.5 |
| X1P3262BCBA | | 6.50 | 250 | 269 | 5000/700 | 1/2" BSPP | 3/8" BSPP | 105.0 | 52.5 | 93.0 |
| X1P3462BCBA | | 7.54 | 220 | 232 | 5000/700 | 1/2" BSPP | 3/8" BSPP | 108.0 | 54.5 | 96.0 |
| X1P3662BCBA | | 9.88 | 177 | 177 | 4000/700 | 1/2" BSPP | 3/8" BSPP | 117.0 | 59.0 | 105.0 |

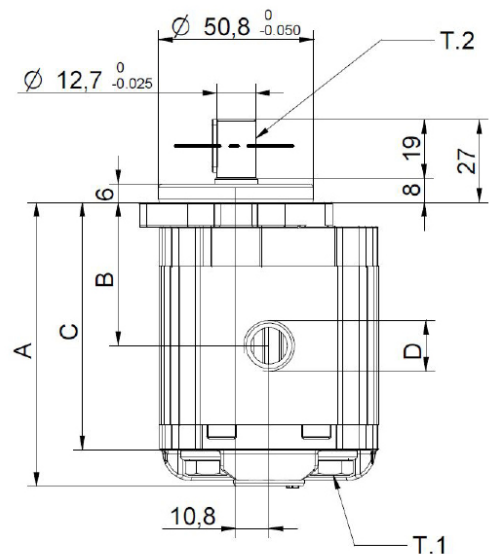
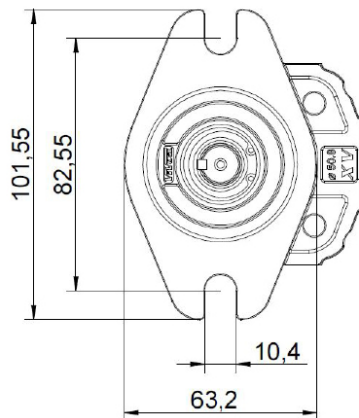
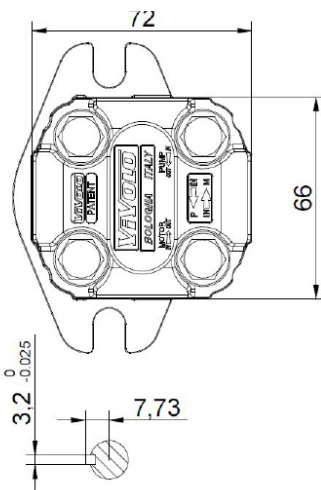
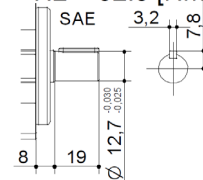
Group 1 Pump Seal Kit

| Part # | List Price \$ | Material |
|-----------|---------------|----------|
| 8KGX1P2.A | | NBR |
| 8KGX1P2.V | | Viton |



CI002 - Parallel

T.2 = 32.8 [Nm]



Group 1 Pump BH Mount, Tang Drive Shaft (CCW Standard)

| Part # | List Price \$ | CC | Maximum Pressure (bar) | | Max/Min Speed (RPM) | Port S | Port P | Dimension (mm) | | |
|-------------|---------------|------|------------------------|------|---------------------|-----------|-----------|----------------|------|-------|
| | | | Working | Peak | | | | A | B | C |
| X1P1641DBBA | | 0.91 | 240 | 280 | 6000/700 | 3/8" BSPP | 3/8" BSPP | 82.6 | 41.8 | 70.6 |
| X1P1741DBBA | | 1.17 | 250 | 290 | 6000/700 | 3/8" BSPP | 3/8" BSPP | 83.5 | 42.3 | 71.5 |
| X1P1841DBBA | | 1.56 | 250 | 290 | 6000/700 | 3/8" BSPP | 3/8" BSPP | 85.0 | 43.0 | 73.0 |
| X1P2041DBBA | | 2.08 | 250 | 290 | 6000/700 | 3/8" BSPP | 3/8" BSPP | 87.0 | 44.0 | 75.0 |
| X1P2141DBBA | | 2.60 | 250 | 283 | 6000/700 | 3/8" BSPP | 3/8" BSPP | 89.0 | 45.0 | 77.0 |
| X1P2341DCBA | | 3.12 | 236 | 236 | 6000/700 | 1/2" BSPP | 3/8" BSPP | 91.0 | 46.5 | 79.0 |
| X1P2541DCBA | | 3.64 | 202 | 202 | 6000/700 | 1/2" BSPP | 3/8" BSPP | 93.0 | 47.0 | 81.0 |
| X1P2741DCBA | | 4.16 | 177 | 177 | 6000/700 | 1/2" BSPP | 3/8" BSPP | 95.0 | 48.0 | 83.0 |
| X1P2941DCBA | | 4.94 | 149 | 149 | 6000/700 | 1/2" BSPP | 3/8" BSPP | 98.0 | 49.5 | 86.0 |
| X1P3141DCBA | | 5.85 | 126 | 126 | 5000/700 | 1/2" BSPP | 3/8" BSPP | 101.5 | 51.3 | 89.5 |
| X1P3241DCBA | | 6.50 | 113 | 113 | 5000/700 | 1/2" BSPP | 3/8" BSPP | 105.0 | 52.5 | 93.0 |
| X1P3441DCBA | | 7.54 | 98 | 98 | 5000/700 | 1/2" BSPP | 3/8" BSPP | 108.0 | 54.5 | 96.0 |
| X1P3641DCBA | | 9.88 | 75 | 75 | 4000/700 | 1/2" BSPP | 3/8" BSPP | 117.0 | 59.0 | 105.0 |



41/42 Flange



43 Flange



44 Flange

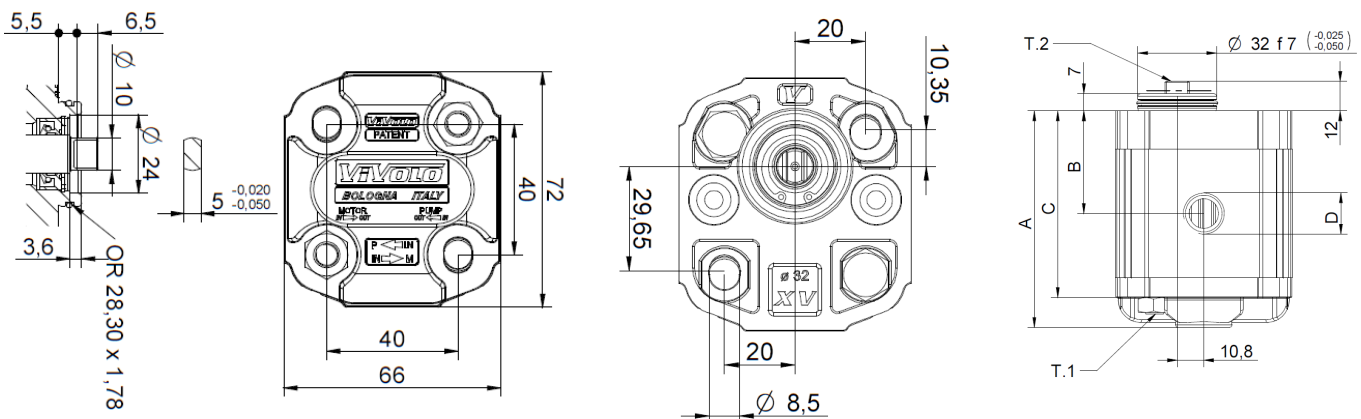
* See nomenclature chart on page 102 for flange codings

CW (standard) or CCW rotation available

Relief valves/tandem pumps available

Group 1 Pump Seal Kit

| Part # | List Price \$ | Material |
|-----------|---------------|----------|
| 8KGX1P2.A | | NBR |
| 8KGX1P2.V | | Viton |



Suitable for Hydraulics Network DC & AC Power Units - see order code for centre block port covers (page 102)


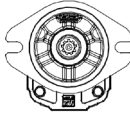




ORDER CODES FOR VIVOIL GROUP 2 PUMPS

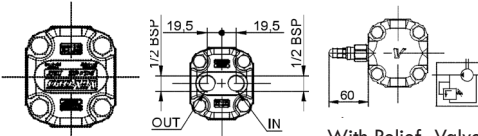
| Series | Group | Pump | Displacement | Flange | Shaft | Inlet Port | Outlet Port | Rear Cover |
|--------|-------|------|--------------|--------|-------|------------|-------------|------------|
| X | 2 | P | 51 | 02 | E | C | B | A |

| DISPLACEMENT | |
|--------------|----|
| 4.2cc | 41 |
| 6.0cc | 43 |
| 8.4cc | 45 |
| 10.8cc | 47 |
| 14.4cc | 49 |
| 16.8cc | 51 |
| 19.2cc | 53 |
| 22.8cc | 55 |
| 26.2cc | 57 |
| 30.0cc | 59 |
| 34.2cc | 61 |
| 39.6cc | 63 |

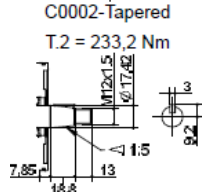
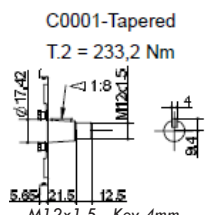
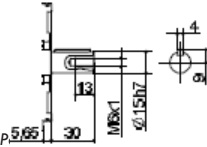
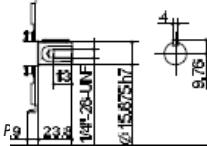
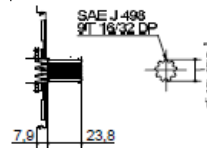
| PORTS | INLET | OUTLET |
|--------|-------|--------|
| 4.2cc | B | B |
| 6.0cc | B | B |
| 8.4cc | C | B |
| 10.8cc | C | B |
| 14.4cc | C | B |
| 16.8cc | D | C |
| 19.2cc | D | C |
| 22.8cc | D | C |
| 26.2cc | D | C |
| 30.0cc | D | C |
| 34.2cc | D | C |
| 39.6cc | D | C |

| |
|----------------------|
| B = 1/2" BSPP |
| C = 3/4" BSPP |
| D = 1" BSPP |

| | FLANGE | |
|---|---------------|----------------|
| | LEFT ROTATION | RIGHT ROTATION |
|  DIN Group 2 | 01 | 02 |
|  SAE-A | 51 | 52 |
|  Ø80 German Standard | 41 | 42 |
|  Ø50 HY German Standardised (highlighted mounting hole) | 21 | 22 |
|  Ø50 BH German Standardised (highlighted mounting hole) | 11 | 12 |
|  DIN Group 2 Bearing Carrier 1:8 taper | 1S | 1D |

| REAR COVER | |
|--|-------------------|
|  | With Relief Valve |

| | | |
|---|---|---------------------|
| A | D | N-21 10-105 bar |
| | | N-22 70-210 bar |
| | | N-23 140-350 bar |
| RELIEF VALVE & PRIORITY HEAD OPTIONS ON NEXT PAGE | | |

| SHAFT | |
|---|---|
| C0002-Tapered T.2 = 233,2 Nm  Tapered 1:5 Ø 17.4mm M12x1.5 - Key 3mm GERMAN STANDARDIZED ONLY | F |
| C0001-Tapered T.2 = 233,2 Nm  M12x1.5 - Key 4mm | E |
| CI001-Parallel T.2 = 44,1 Nm  | A |
| CI002-Parallel T.2 = 67,5 Nm  | B |
| SCF04-Splined T.2 = 104,6 Nm  | I |

10 & 11 Tooth Shaft - see page 113

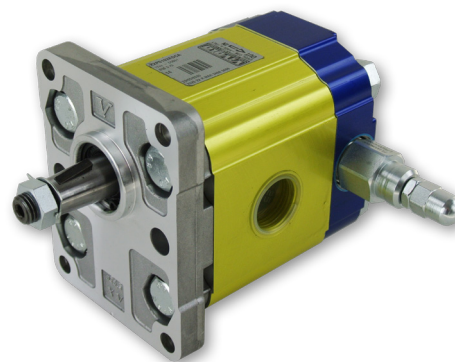
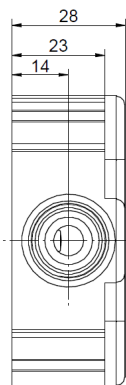
Please note:
Additional costs apply for non-standard options

Group 2 Pump Rear Cover with Integrated Relief Valve

| Part # | List Price \$ | Maximum Flow Rate | Relief Range | |
|--------|---------------|-------------------|--------------|---------|
| | | | Minimum | Maximum |
| N-21 | | 50 lpm | 10 bar | 105 bar |
| N-22 | | 50 lpm | 70 bar | 210 bar |
| N-23 | | 50 lpm | 140 bar | 350 bar |

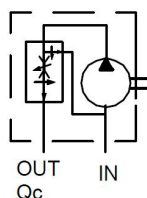
Please Note:

Pricing for rear cover with integrated relief valve and rear cover with priority head is in addition to standard pump price.



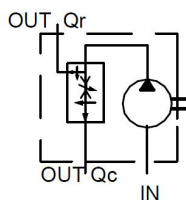
Priority Head Internal Excess Flow

| Rear Cover Part # | List Price \$ | QC Port | Flow Adjustment | |
|-------------------|---------------|-----------|-----------------|---------|
| | | | Minimum | Maximum |
| CB62 | | 3/8" BSPP | 3 lpm | 6 lpm |
| CB58 | | 3/8" BSPP | 6 lpm | 11 lpm |
| CB63 | | 3/8" BSPP | 8 lpm | 16 lpm |
| CB64 | | 3/8" BSPP | 13 lpm | 25 lpm |
| CB70 | | 3/8" BSPP | 25 lpm | 45 lpm |



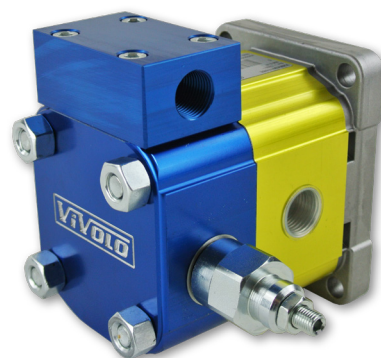
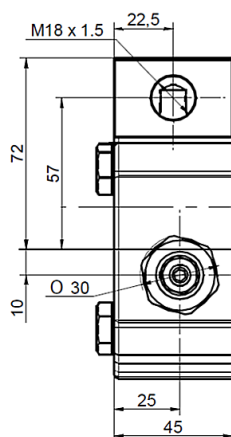
CB

Qc = ADJUSTABLE CONSTANT FLOW



CA

Qc = ADJUSTABLE CONSTANT FLOW
Qr = EXCEEDING FLOW



Priority Head External Excess Flow

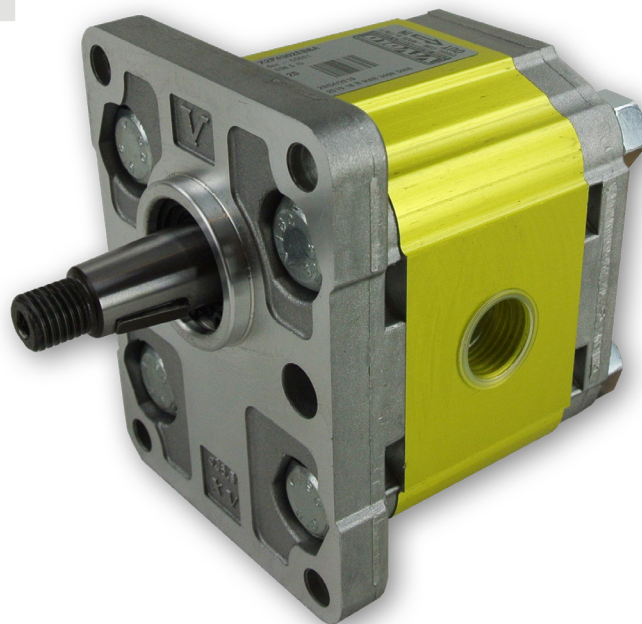
| Rear Cover Part # | List Price \$ | QC/QR Ports | Flow Adjustment | |
|-------------------|---------------|-------------|-----------------|---------|
| | | | Minimum | Maximum |
| CA62 | | 3/8" BSPP | 3 lpm | 6 lpm |
| CA58 | | 3/8" BSPP | 6 lpm | 11 lpm |
| CA63 | | 3/8" BSPP | 8 lpm | 16 lpm |
| CA64 | | 3/8" BSPP | 13 lpm | 25 lpm |
| CA70 | | 3/8" BSPP | 25 lpm | 45 lpm |

Group 2 Pump DIN Mount, 1:8 Tapered Shaft

| Part # | List Price \$ | CC | Maximum Pressure (bar) | | Max/Min Speed (RPM) | Port S | Port P | Dimension (mm) | | |
|-------------|---------------|------|------------------------|------|---------------------|-----------|-----------|----------------|------|-------|
| | | | Working | Peak | | | | A | B | C |
| X2P4102EBBA | | 4.2 | 260 | 300 | 3500/700 | 1/2" BSPP | 1/2" BSPP | 87.2 | 41.7 | 77.2 |
| X2P4302EBBA | | 6.0 | 260 | 300 | 3500/700 | 1/2" BSPP | 1/2" BSPP | 90.2 | 43.2 | 80.2 |
| X2P4502ECBA | | 8.4 | 260 | 300 | 3500/700 | 3/4" BSPP | 1/2" BSPP | 94.2 | 45.2 | 84.2 |
| X2P4702ECBA | | 10.8 | 260 | 300 | 3500/700 | 3/4" BSPP | 1/2" BSPP | 98.2 | 47.2 | 88.2 |
| X2P4902ECBA | | 14.4 | 250 | 290 | 3500/700 | 3/4" BSPP | 1/2" BSPP | 104.2 | 50.2 | 94.2 |
| X2P5102EDCA | | 16.8 | 230 | 270 | 3500/700 | 1" BSPP | 3/4" BSPP | 108.2 | 52.2 | 98.2 |
| X2P5302EDCA | | 19.2 | 210 | 250 | 3000/700 | 1" BSPP | 3/4" BSPP | 112.2 | 54.2 | 102.2 |
| X2P5502EDCA | | 22.8 | 200 | 240 | 3000/700 | 1" BSPP | 3/4" BSPP | 118.2 | 57.2 | 108.2 |
| X2P5702EDCA | | 26.2 | 170 | 210 | 3000/700 | 1" BSPP | 3/4" BSPP | 122.2 | 59.2 | 112.2 |
| X2P5902EDCA | | 30.0 | 160 | 200 | 2500/700 | 1" BSPP | 3/4" BSPP | 130.2 | 63.2 | 120.2 |
| X2P6102EDCA | | 34.2 | 150 | 190 | 2500/700 | 1" BSPP | 3/4" BSPP | 137.2 | 66.7 | 127.2 |
| X2P6302EDCA | | 39.6 | 140 | 180 | 2000/700 | 1" BSPP | 3/4" BSPP | 146.2 | 71.2 | 136.2 |

Group 2 Pump Seal Kit

| Part # | List Price \$ | Material |
|-----------|---------------|----------|
| 8KGX2P1.A | | NBR |
| 8KGX2P1.V | | Viton |



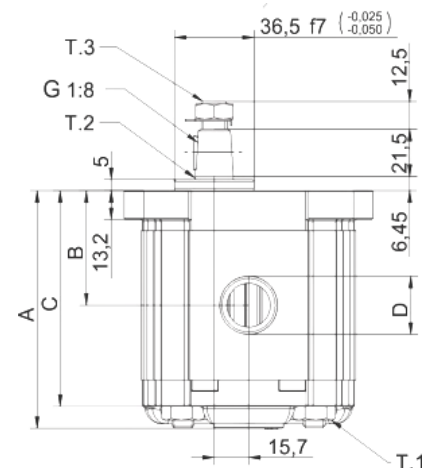
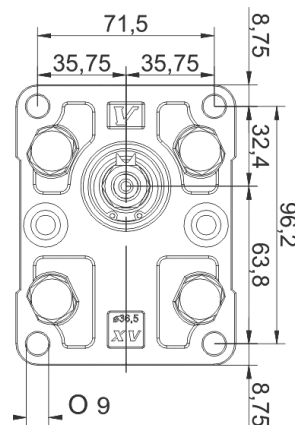
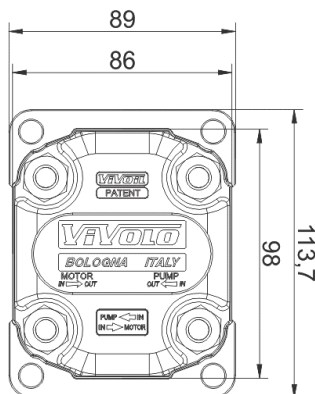
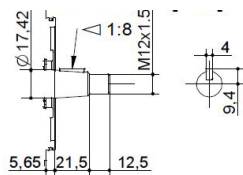
CW (standard) or CCW rotation available

Group 0-3 tandem pump compatible

Relief valves/tandem pumps available

SAE A-2 bolt available keyed or spline shaft

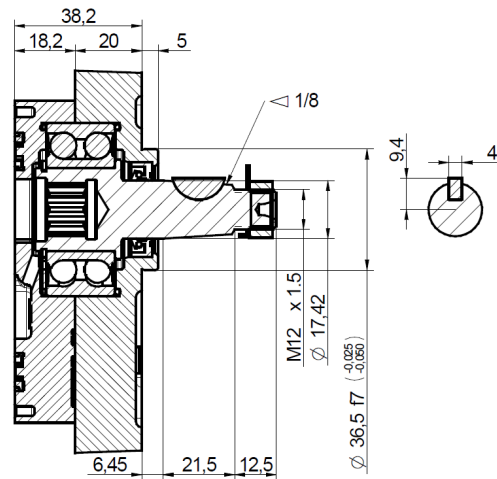
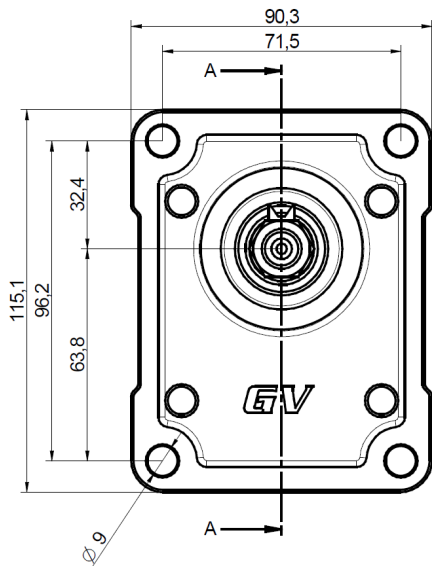
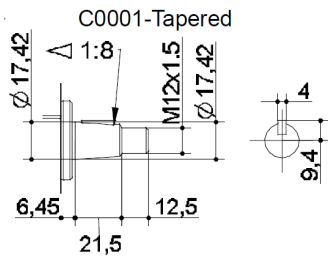
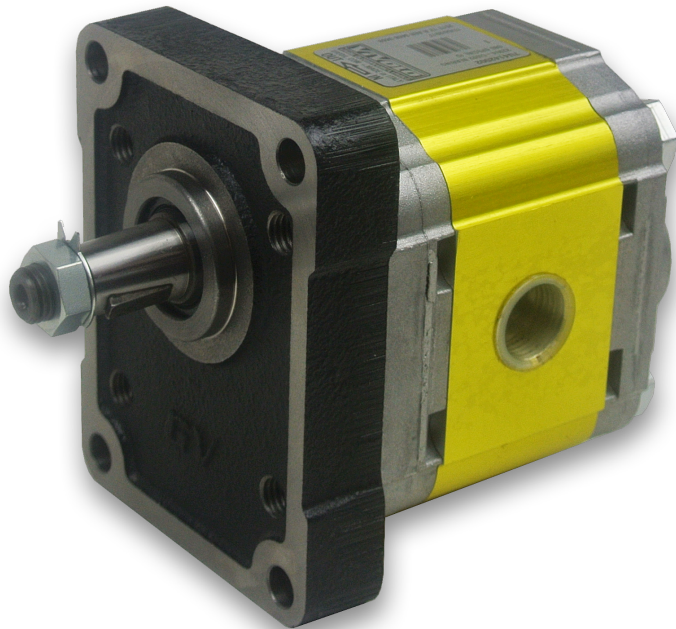
Priority head options on page 108



Group 2 Pump DIN Mount With Bearing Carrier, 1:8 Tapered Shaft



| Part # | List Price \$ | CC | Maximum Pressure (bar) | | Max/Min Speed (RPM) | Port S | Port P | Dimension (mm) | | |
|------------------------|---------------|------|------------------------|------|---------------------|-----------|-----------|----------------|------|-------|
| | | | Working | Peak | | | | A | B | C |
| NEW X2P411DEBBA | | 4.2 | 260 | 300 | 3500/700 | 1/2" BSPP | 1/2" BSPP | 107.2 | 41.7 | 77.2 |
| NEW X2P431DEBBA | | 6.0 | 260 | 300 | 3500/700 | 1/2" BSPP | 1/2" BSPP | 110.2 | 43.2 | 80.2 |
| NEW X2P451DECBA | | 8.4 | 260 | 300 | 3500/700 | 3/4" BSPP | 1/2" BSPP | 114.2 | 45.2 | 84.2 |
| NEW X2P471DECBA | | 10.8 | 260 | 300 | 3500/700 | 3/4" BSPP | 1/2" BSPP | 118.2 | 47.2 | 88.2 |
| NEW X2P491DECBA | | 14.4 | 250 | 290 | 3500/700 | 3/4" BSPP | 1/2" BSPP | 124.2 | 50.2 | 94.2 |
| NEW X2P511DEDCA | | 16.8 | 230 | 270 | 3500/700 | 1" BSPP | 3/4" BSPP | 128.2 | 52.2 | 98.2 |
| NEW X2P531DEDCA | | 19.2 | 210 | 250 | 3000/700 | 1" BSPP | 3/4" BSPP | 132.2 | 54.2 | 102.2 |
| NEW X2P551DEDCA | | 22.8 | 200 | 240 | 3000/700 | 1" BSPP | 3/4" BSPP | 138.2 | 57.2 | 108.2 |
| NEW X2P571DEDCA | | 26.2 | 170 | 210 | 3000/700 | 1" BSPP | 3/4" BSPP | 142.2 | 59.2 | 112.2 |
| NEW X2P591DEDCA | | 30.0 | 160 | 200 | 2500/700 | 1" BSPP | 3/4" BSPP | 150.2 | 63.2 | 120.2 |
| NEW X2P611DEDCA | | 34.2 | 150 | 190 | 2500/700 | 1" BSPP | 3/4" BSPP | 157.2 | 66.7 | 127.2 |
| NEW X2P631DEDCA | | 39.6 | 140 | 180 | 2000/700 | 1" BSPP | 3/4" BSPP | 166.2 | 71.2 | 136.2 |



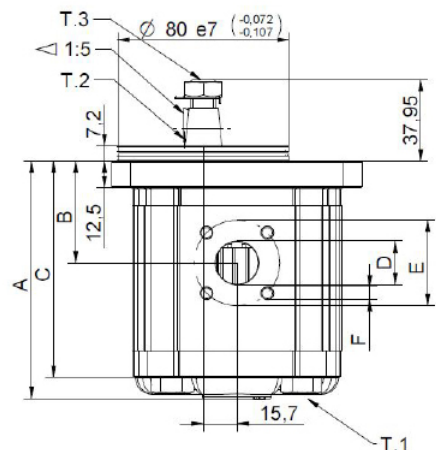
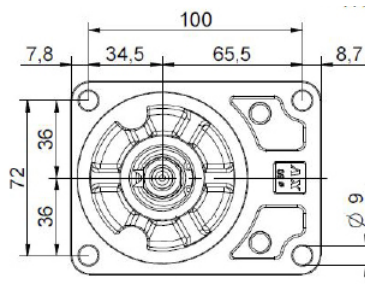
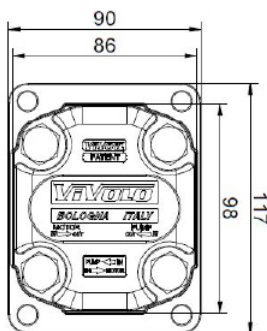
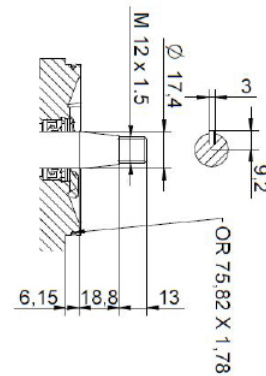
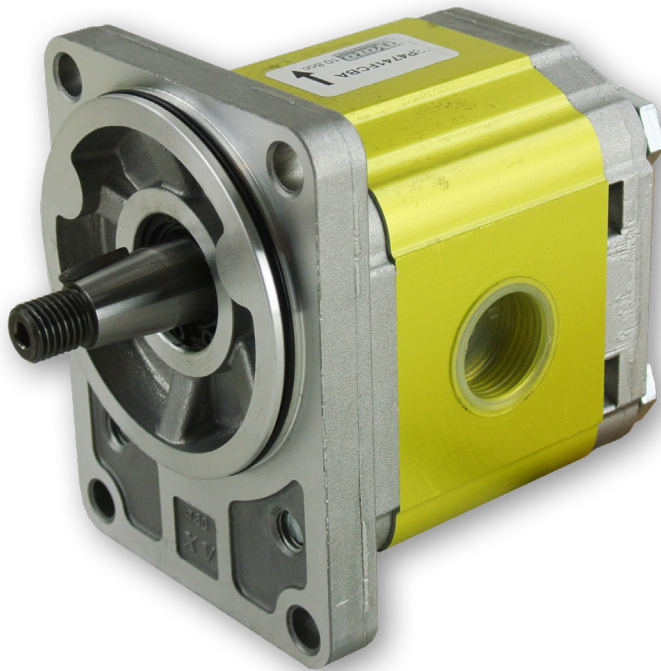
Group 2 Pump Standard German Mount, 1:5 Tapered Shaft



| Part # | List Price \$ | CC | Maximum Pressure (bar) | | Max/Min Speed (RPM) | Port S | Port P | Dimension (mm) | | |
|-------------|---------------|------|------------------------|------|---------------------|-----------|-----------|----------------|------|-------|
| | | | Working | Peak | | | | A | B | C |
| X2P4142FBBA | | 4.2 | 260 | 300 | 3500/700 | 1/2" BSPP | 1/2" BSPP | 89.7 | 41.1 | 79.7 |
| X2P4342FBBA | | 6.0 | 260 | 300 | 3500/700 | 1/2" BSPP | 1/2" BSPP | 92.7 | 41.1 | 82.7 |
| X2P4542FCBA | | 8.4 | 260 | 300 | 3500/700 | 3/4" BSPP | 1/2" BSPP | 96.7 | 43.1 | 86.7 |
| X2P4742FCBA | | 10.8 | 260 | 300 | 3500/700 | 3/4" BSPP | 1/2" BSPP | 100.7 | 47.5 | 90.7 |
| X2P4942FCBA | | 14.4 | 250 | 290 | 3500/700 | 3/4" BSPP | 1/2" BSPP | 106.7 | 47.5 | 96.7 |
| X2P5142FDCA | | 16.8 | 230 | 270 | 3500/700 | 1" BSPP | 3/4" BSPP | 110.7 | 47.5 | 100.7 |
| X2P5342FDCA | | 19.2 | 210 | 250 | 3000/700 | 1" BSPP | 3/4" BSPP | 114.7 | 47.5 | 104.7 |
| X2P5542FDCA | | 22.8 | 200 | 240 | 3000/700 | 1" BSPP | 3/4" BSPP | 120.7 | 55 | 110.7 |
| X2P5742FDCA | | 26.2 | 170 | 210 | 3000/700 | 1" BSPP | 3/4" BSPP | 124.7 | 55 | 114.7 |
| X2P5942FDCA | | 30.0 | 160 | 200 | 2500/700 | 1" BSPP | 3/4" BSPP | 132.7 | 63.2 | 122.7 |
| X2P6142FDCA | | 34.2 | 150 | 190 | 2500/700 | 1" BSPP | 3/4" BSPP | 139.7 | 63.2 | 129.7 |
| X2P6342FDCA | | 39.6 | 140 | 180 | 2500/700 | 1" BSPP | 3/4" BSPP | 148.7 | 63.2 | 138.7 |

CW (standard) or CCW rotation available

Priority head options on page 108



Group 2 Pump SAE A Mount, 5/8" Keyed Shaft



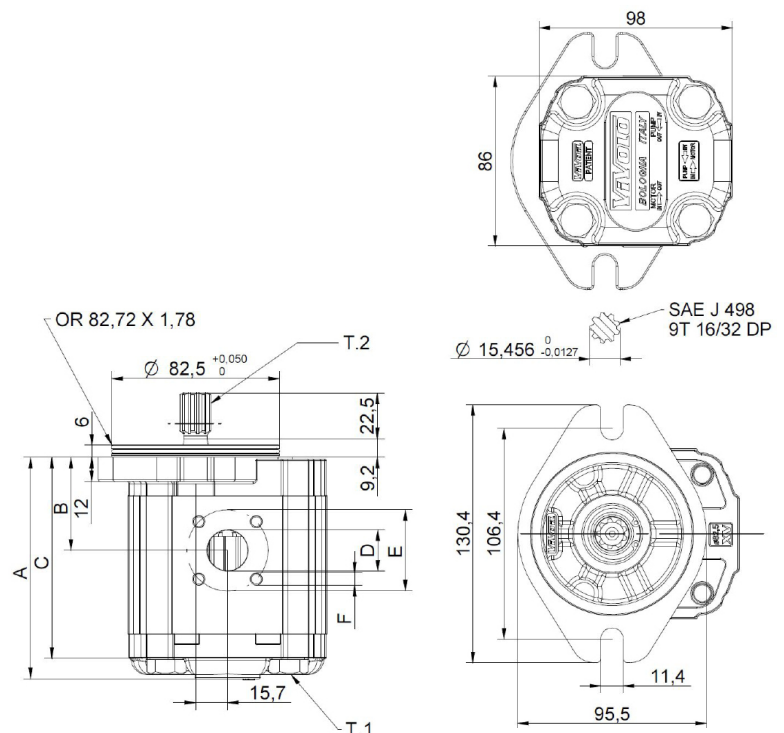
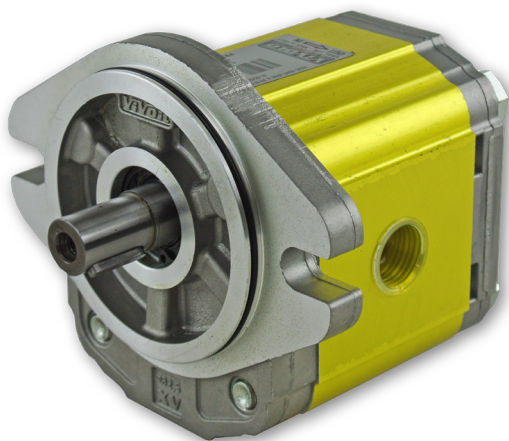
| Part # | List Price \$ | CC | Maximum Pressure (bar) | | Max/Min Speed (RPM) | Port S | Port P | Dimension (mm) | | |
|-------------|---------------|------|------------------------|------|---------------------|-----------|-----------|----------------|------|-------|
| | | | Working | Peak | | | | A | B | C |
| X2P4152BBBA | | 4.2 | 260 | 300 | 3500/700 | 1/2" BSPP | 1/2" BSPP | 88.0 | 39.4 | 78.0 |
| X2P4352BBBA | | 6.0 | 260 | 300 | 3500/700 | 1/2" BSPP | 1/2" BSPP | 91.0 | 39.4 | 81.0 |
| X2P4552BCBA | | 8.4 | 260 | 300 | 3500/700 | 3/4" BSPP | 1/2" BSPP | 95.0 | 41.4 | 85.0 |
| X2P4752BCBA | | 10.8 | 260 | 300 | 3500/700 | 3/4" BSPP | 1/2" BSPP | 99.0 | 45.8 | 89.0 |
| X2P4952BCBA | | 14.4 | 250 | 250 | 3500/700 | 3/4" BSPP | 1/2" BSPP | 105.0 | 45.8 | 95.0 |
| X2P5152BDCA | | 16.8 | 214 | 214 | 3500/700 | 1" BSPP | 3/4" BSPP | 109.0 | 45.8 | 99.0 |
| X2P5352BDCA | | 19.2 | 188 | 188 | 3000/700 | 1" BSPP | 3/4" BSPP | 113.0 | 45.8 | 103.0 |
| X2P5552BDCA | | 22.8 | 158 | 158 | 3000/700 | 1" BSPP | 3/4" BSPP | 119.0 | 53.3 | 109.0 |
| X2P5752BDCA | | 26.2 | 138 | 138 | 3000/700 | 1" BSPP | 3/4" BSPP | 123.0 | 53.3 | 113.0 |
| X2P5952BDCA | | 30.0 | 120 | 120 | 2500/700 | 1" BSPP | 3/4" BSPP | 131.0 | 61.5 | 121.0 |
| X2P6152BDCA | | 34.2 | 105 | 105 | 2500/700 | 1" BSPP | 3/4" BSPP | 138.0 | 61.5 | 128.0 |
| X2P6352BDCA | | 39.6 | 91 | 91 | 2000/700 | 1" BSPP | 3/4" BSPP | 147.0 | 61.5 | 137.0 |

Group 2 Pump SAE A Mount, 5/8" 9 Tooth Splined Shaft



| Part # | List Price \$ | CC | Maximum Pressure (bar) | | Max/Min Speed (RPM) | Port S | Port P | Dimension (mm) | | |
|-------------|---------------|------|------------------------|------|---------------------|-----------|-----------|----------------|------|-------|
| | | | Working | Peak | | | | A | B | C |
| X2P4152IBBA | | 4.2 | 260 | 300 | 3500/700 | 1/2" BSPP | 1/2" BSPP | 88.0 | 39.4 | 78.0 |
| X2P4352IBBA | | 6.0 | 260 | 300 | 3500/700 | 1/2" BSPP | 1/2" BSPP | 91.0 | 39.4 | 81.0 |
| X2P4552ICBA | | 8.4 | 260 | 300 | 3500/700 | 3/4" BSPP | 1/2" BSPP | 95.0 | 41.4 | 85.0 |
| X2P4752ICBA | | 10.8 | 260 | 300 | 3500/700 | 3/4" BSPP | 1/2" BSPP | 99.0 | 45.8 | 89.0 |
| X2P4952ICBA | | 14.4 | 249 | 249 | 3500/700 | 3/4" BSPP | 1/2" BSPP | 105.0 | 45.8 | 95.0 |
| X2P5152IDCA | | 16.8 | 213 | 213 | 3500/700 | 1" BSPP | 3/4" BSPP | 109.0 | 45.8 | 99.0 |
| X2P5352IDCA | | 19.2 | 187 | 187 | 3000/700 | 1" BSPP | 3/4" BSPP | 113.0 | 45.8 | 103.0 |
| X2P5552IDCA | | 22.8 | 157 | 157 | 3000/700 | 1" BSPP | 3/4" BSPP | 119.0 | 53.3 | 109.0 |
| X2P5752IDCA | | 26.2 | 137 | 137 | 3000/700 | 1" BSPP | 3/4" BSPP | 123.0 | 53.3 | 113.0 |
| X2P5952IDCA | | 30.0 | 119 | 119 | 2500/700 | 1" BSPP | 3/4" BSPP | 131.0 | 61.5 | 121.0 |
| X2P6152IDCA | | 34.2 | 105 | 105 | 2500/700 | 1" BSPP | 3/4" BSPP | 138.0 | 61.5 | 128.0 |
| X2P6352IDCA | | 39.6 | 90 | 90 | 2000/700 | 1" BSPP | 3/4" BSPP | 147.0 | 61.5 | 137.0 |

Priority head options
page 108



Group 2 Pump SAE A Mount, 10 Tooth Shaft (Cast Iron End Plates)



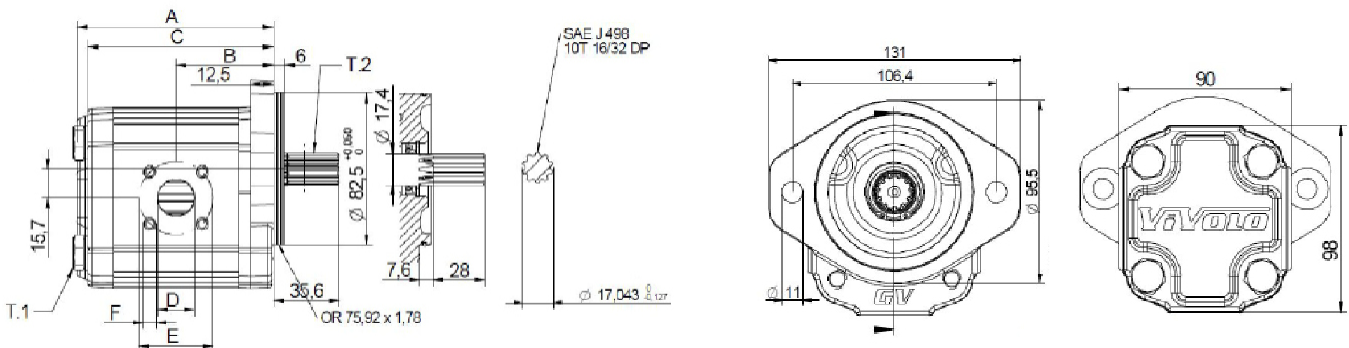
| Part # | List Price \$ | CC | Maximum Pressure (bar) | | Max/Min Speed (RPM) | Port S | Port P | Dimension (mm) | | |
|-------------|---------------|------|------------------------|------|---------------------|---------|-----------|----------------|------|-------|
| | | | Working | Peak | | | | A | B | C |
| G2P5152RDCA | | 16.8 | 230 | 270 | 700/3500 | 1" BSPP | 3/4" BSPP | 107.0 | 53 | 101.0 |
| G2P5552RDCA | | 22.8 | 200 | 240 | 700/3000 | 1" BSPP | 3/4" BSPP | 117.0 | 58 | 111.0 |
| G2P5752RDCA | | 26.2 | 170 | 210 | 700/3000 | 1" BSPP | 3/4" BSPP | 121.0 | 60 | 115.0 |
| G2P5952RDCA | | 30.0 | 160 | 200 | 700/2500 | 1" BSPP | 3/4" BSPP | 129.0 | 64 | 123.0 |
| G2P6152RDCA | | 34.2 | 150 | 190 | 700/2500 | 1" BSPP | 3/4" BSPP | 136.0 | 67.5 | 130.0 |

Group 2 Pump SAE A Mount, 11 Tooth Shaft (Cast Iron End Plates)

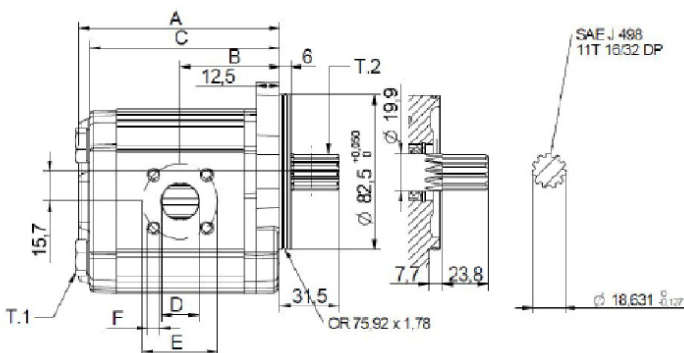


| Part # | List Price \$ | CC | Maximum Pressure (bar) | | Max/Min Speed (RPM) | Port S | Port P | Dimension (mm) | | |
|-------------|---------------|------|------------------------|------|---------------------|-----------|-----------|----------------|------|-------|
| | | | Working | Peak | | | | A | B | C |
| G2P4152SBBA | | 4.2 | 260 | 300 | 700/3500 | 1/2" BSPP | 1/2" BSPP | 86.0 | 42.5 | 80.0 |
| G2P4352SCBA | | 6.0 | 260 | 300 | 700/3500 | 3/4" BSPP | 1/2" BSPP | 89.0 | 44 | 83.0 |
| G2P4552SCBA | | 8.4 | 260 | 300 | 700/3500 | 3/4" BSPP | 1/2" BSPP | 93.0 | 46 | 87.0 |
| G2P4752SCBA | | 10.8 | 260 | 300 | 700/3500 | 3/4" BSPP | 1/2" BSPP | 97.0 | 48 | 91.0 |
| G2P4952SCBA | | 14.4 | 250 | 290 | 700/3500 | 3/4" BSPP | 1/2" BSPP | 103.0 | 51 | 97.0 |
| G2P5152SCBA | | 16.8 | 230 | 270 | 700/3500 | 3/4" BSPP | 1/2" BSPP | 107.0 | 53 | 101.0 |
| G2P5352SDCA | | 19.2 | 210 | 250 | 700/3000 | 1" BSPP | 3/4" BSPP | 111.0 | 55 | 105.0 |
| G2P5552SDCA | | 22.8 | 200 | 240 | 700/3000 | 1" BSPP | 3/4" BSPP | 117.0 | 58 | 111.0 |
| G2P5752SDCA | | 26.2 | 170 | 210 | 700/3000 | 1" BSPP | 3/4" BSPP | 121.0 | 60 | 115.0 |

10 Tooth



11 Tooth



ORDER CODES FOR VIVOIL GROUP 3 PUMPS

| Series | Group | Pump | Displacement | Flange | Shaft | Inlet Port | Outlet Port | Rear Cover |
|--------|-------|------|--------------|--------|-------|------------|-------------|------------|
| X | 3 | P | 66 | 32 | I | D | D | A |

| DISPLACEMENT | |
|--------------|----|
| 14.89cc | 66 |
| 17.37cc | 68 |
| 21.10cc | 70 |
| 26.97cc | 72 |
| 32.27cc | 74 |
| 38.47cc | 78 |
| 43.44cc | 79 |
| 47.16cc | 80 |
| 50.88cc | 81 |
| 54.60cc | 82 |
| 60.81cc | 83 |
| 64.53cc | 85 |
| 70.74cc | 86 |
| 74.46cc | 87 |
| 86.87cc | 89 |

| SHAFT | | |
|--|---|---|
| <p>CO001 - Tapered</p> <p>T.2 = 482 [Nm]</p> <p>Tapered 1:8 Ø 22mm M14x1.5 - Key 4mm</p> | A | |
| <p>CI004 - Parallel</p> <p>T.2 = 180 [Nm]</p> <p>Parallel Ø 7/8" - Key 6.35mm</p> | | H |
| <p>SCF04 - Splined</p> <p>T.2 = 264 [Nm]</p> <p>Splined 7/8" 13t</p> | | |

| PORTS | INLET | OUTLET |
|-----------------|-------|--------|
| 14.9cc | D | D |
| 17.4cc | E | D |
| 21.1cc | E | D |
| 27.0cc | E | D |
| 32.3cc | E | D |
| 38.5cc | E | D |
| 43.4cc | F | E |
| 47.2cc | F | E |
| 50.9cc | F | E |
| 54.6cc | F | E |
| 60.8cc | F | E |
| 64.5cc | F | E |
| 70.7cc | F | E |
| 74.5cc | F | F |
| 86.9cc | F | F |
| D = 3/4" BSPP | | |
| E = 1" BSPP | | |
| F = 1.1/4" BSPP | | |

| | FLANGE | |
|--------------------|---------------|----------------|
| | LEFT ROTATION | RIGHT ROTATION |
| <p>DIN Group 3</p> | 01 | 02 |
| <p>SAE-B</p> | 31 | 32 |

| REAR COVER | |
|--|---|
| <p style="text-align: center; font-size: 2em;">A</p> | D |
| | |

Please note:
Additional costs apply for non-standard options

Group 3 Pump DIN Mount, 1:8 Tapered Shaft

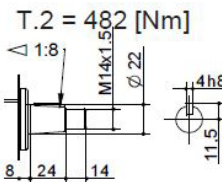
| Part # | List Price \$ | CC | Maximum Pressure (bar) | | Max/Min Speed (RPM) | Port S | Port P | Dimension (mm) | |
|-------------|---------------|-------|------------------------|------|---------------------|-------------|-------------|----------------|------|
| | | | Working | Peak | | | | A | B |
| X3P6602ADDA | | 14.89 | 300 | 320 | 3000/700 | 3/4" BSPP | 3/4" BSPP | 124.0 | 61.0 |
| X3P6802AEDA | | 17.37 | 300 | 320 | 3000/700 | 1" BSPP | 3/4" BSPP | 126.0 | 62.0 |
| X3P7002AEDA | | 21.10 | 280 | 300 | 3000/700 | 1" BSPP | 3/4" BSPP | 129.0 | 63.5 |
| X3P7202AEDA | | 26.97 | 250 | 270 | 3000/700 | 1" BSPP | 3/4" BSPP | 133.0 | 65.5 |
| X3P7402AEDA | | 32.27 | 250 | 270 | 3000/700 | 1" BSPP | 3/4" BSPP | 138.0 | 68.0 |
| X3P7802AEDA | | 38.47 | 250 | 270 | 2800/700 | 1" BSPP | 3/4" BSPP | 143.0 | 70.5 |
| X3P7902AFEA | | 43.44 | 250 | 270 | 2800/700 | 1.1/4" BSPP | 1" BSPP | 147.0 | 72.5 |
| X3P8002AFEA | | 47.16 | 230 | 250 | 2800/700 | 1.1/4" BSPP | 1" BSPP | 150.0 | 74.0 |
| X3P8102AFEA | | 50.88 | 230 | 250 | 2800/700 | 1.1/4" BSPP | 1" BSPP | 153.0 | 75.5 |
| X3P8202AFEA | | 54.60 | 230 | 250 | 2300/700 | 1.1/4" BSPP | 1" BSPP | 156.0 | 77.0 |
| X3P8302AFEA | | 60.81 | 230 | 250 | 2300/700 | 1.1/4" BSPP | 1" BSPP | 161.0 | 79.5 |
| X3P8502AFEA | | 64.53 | 210 | 230 | 2300/700 | 1.1/4" BSPP | 1" BSPP | 164.0 | 81.0 |
| X3P8602AFEA | | 70.74 | 200 | 220 | 2300/700 | 1.1/4" BSPP | 1" BSPP | 169.0 | 83.5 |
| X3P8702AFFA | | 74.46 | 180 | 200 | 2300/700 | 1.1/4" BSPP | 1.1/4" BSPP | 172.0 | 85.0 |
| X3P8902AFFA | | 86.87 | 150 | 170 | 2300/700 | 1.1/4" BSPP | 1.1/4" BSPP | 182.0 | 90.0 |

Group 3 Pump Seal Kit

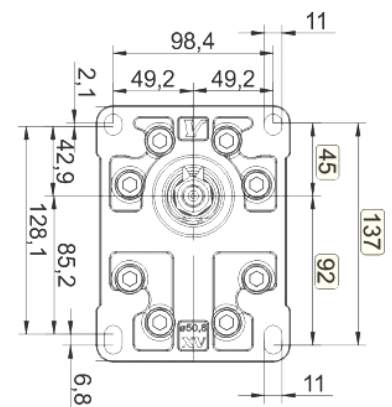
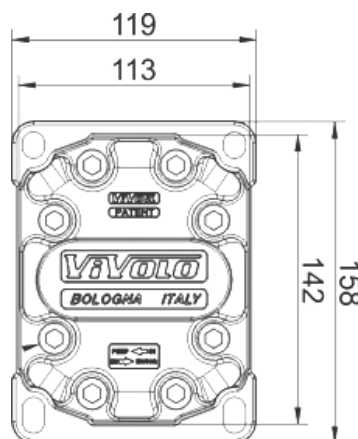
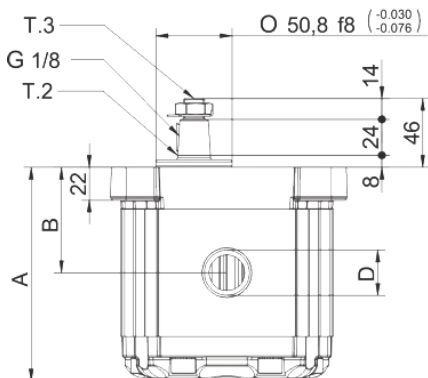
| Part # | List Price \$ | Material |
|-----------|---------------|----------|
| 8KGX3P1.A | | NBR |
| 8KGX3P1.V | | Viton |



CW (standard) or CCW rotation available

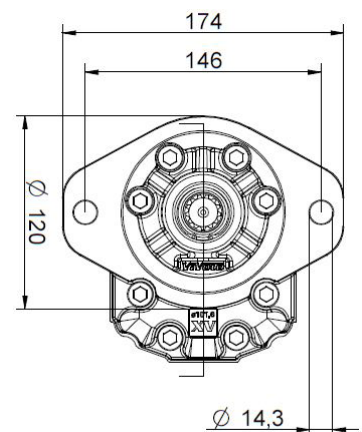
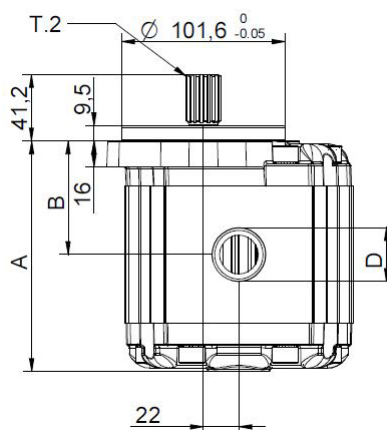
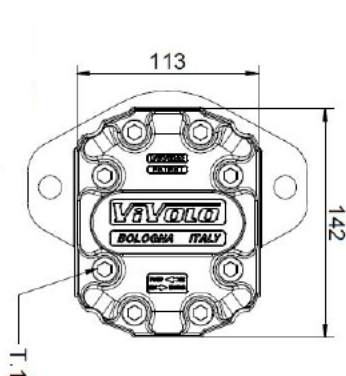
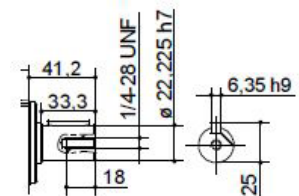


SAE A-2 bolt available keyed or spline shaft



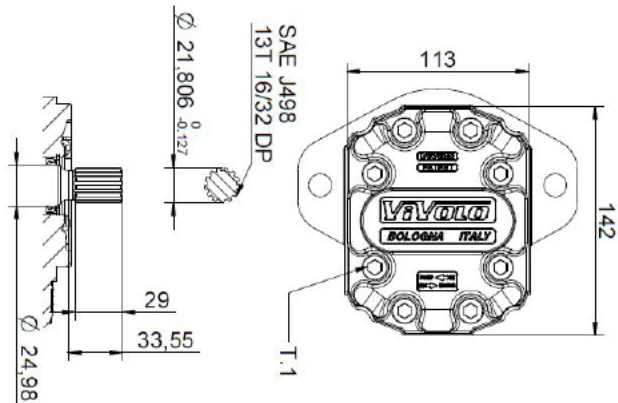
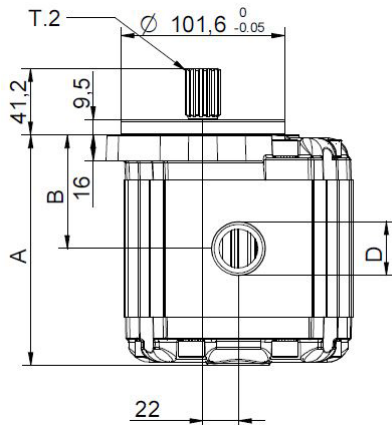
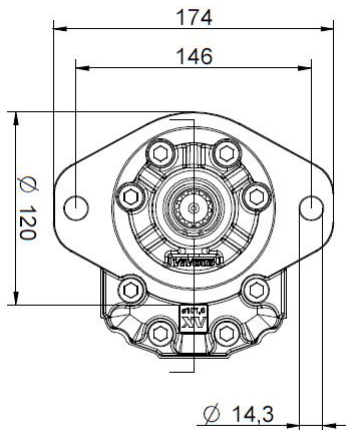
Group 3 Pump SAE B Mount, 7/8" Keyed Shaft

| Part # | List Price \$ | CC | Maximum Pressure (bar) | | Max/Min Speed (RPM) | Port S | Port P | Dimension (mm) | |
|-------------|---------------|-------|------------------------|------|---------------------|-------------|-------------|----------------|------|
| | | | Working | Peak | | | | A | B |
| X3P7032HEDA | | 21.10 | 280 | 300 | 3000/700 | 1" BSPP | 3/4" BSPP | 129.0 | 63.5 |
| X3P7232HEDA | | 26.97 | 250 | 270 | 3000/700 | 1" BSPP | 3/4" BSPP | 133.0 | 65.5 |
| X3P7432HEDA | | 32.27 | 250 | 270 | 3000/700 | 1" BSPP | 3/4" BSPP | 138.0 | 68.0 |
| X3P7832HEDA | | 38.47 | 250 | 250 | 2800/700 | 1" BSPP | 3/4" BSPP | 143.0 | 70.5 |
| X3P7932HFEA | | 43.44 | 221 | 221 | 2800/700 | 1.1/4" BSPP | 1" BSPP | 147.0 | 72.5 |
| X3P8032HFEA | | 47.16 | 204 | 204 | 2800/700 | 1.1/4" BSPP | 1" BSPP | 150.0 | 74.0 |
| X3P8132HFEA | | 50.88 | 189 | 189 | 2800/700 | 1.1/4" BSPP | 1" BSPP | 153.0 | 75.5 |
| X3P8232HFEA | | 54.60 | 176 | 176 | 2300/700 | 1.1/4" BSPP | 1" BSPP | 156.0 | 77.0 |
| X3P8332HFEA | | 60.81 | 158 | 158 | 2300/700 | 1.1/4" BSPP | 1" BSPP | 161.0 | 79.5 |
| X3P8532HFEA | | 64.53 | 149 | 149 | 2300/700 | 1.1/4" BSPP | 1" BSPP | 164.0 | 81.0 |
| X3P8732HFFA | | 74.46 | 129 | 129 | 2300/700 | 1.1/4" BSPP | 1.1/4" BSPP | 172.0 | 85.0 |



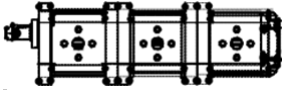
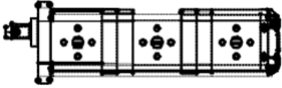
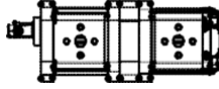
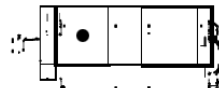
Group 3 Pump SAE B Mount, 7/8" 13 Tooth Splined Shaft

| Part # | List Price \$ | CC | Maximum Pressure (bar) | | Max/Min Speed (RPM) | Port S | Port P | Dimension (mm) | |
|-------------|---------------|-------|------------------------|------|---------------------|-------------|-------------|----------------|------|
| | | | Working | Peak | | | | A | B |
| X3P6632IDDA | | 14.89 | 300 | 320 | 3000/700 | 3/4" BSPP | 3/4" BSPP | 124.0 | 61.0 |
| X3P6832IEDA | | 17.37 | 300 | 320 | 3000/700 | 1" BSPP | 3/4" BSPP | 126.0 | 62.0 |
| X3P7032IEDA | | 21.10 | 280 | 300 | 3000/700 | 1" BSPP | 3/4" BSPP | 129.0 | 63.5 |
| X3P7232IEDA | | 26.97 | 250 | 270 | 3000/700 | 1" BSPP | 3/4" BSPP | 133.0 | 65.5 |
| X3P7432IEDA | | 32.27 | 250 | 270 | 3000/700 | 1" BSPP | 3/4" BSPP | 138.0 | 68.0 |
| X3P7832IEDA | | 38.47 | 250 | 270 | 2800/700 | 1" BSPP | 3/4" BSPP | 143.0 | 70.5 |
| X3P7932IFEA | | 43.44 | 250 | 270 | 2800/700 | 1.1/4" BSPP | 1" BSPP | 147.0 | 72.5 |
| X3P8032IFEA | | 47.16 | 230 | 250 | 2800/700 | 1.1/4" BSPP | 1" BSPP | 150.0 | 74.0 |
| X3P8132IFEA | | 50.88 | 230 | 250 | 2800/700 | 1.1/4" BSPP | 1" BSPP | 153.0 | 75.5 |
| X3P8232IFEA | | 54.60 | 230 | 250 | 2300/700 | 1.1/4" BSPP | 1" BSPP | 156.0 | 77.0 |
| X3P8332IFEA | | 60.81 | 230 | 232 | 2300/700 | 1.1/4" BSPP | 1" BSPP | 161.0 | 79.5 |
| X3P8532IFEA | | 64.53 | 210 | 218 | 2300/700 | 1.1/4" BSPP | 1" BSPP | 164.0 | 81.0 |
| X3P8632IFEA | | 70.74 | 199 | 199 | 2300/700 | 1.1/4" BSPP | 1" BSPP | 169.0 | 83.5 |
| X3P8732IFFA | | 74.46 | 180 | 189 | 2300/700 | 1.1/4" BSPP | 1.1/4" BSPP | 172.0 | 85.0 |
| X3P8932IFFA | | 86.87 | 150 | 162 | 2300/700 | 1.1/4" BSPP | 1.1/4" BSPP | 182.0 | 90.0 |



ORDER CODES FOR VIVOIL MULTIPLE PUMPS

| | Body Shape | No. of Elements | Flange/Rotation | Shaft | Ports | Rear Cover | Displacement CCs | | |
|----------|------------|-----------------|-----------------|----------|----------|------------|------------------|--|--|
| 9 | M | 2 | 02 | E | G | A | 16 | | |

| Body Shape | | |
|------------|------------------|--|
| M | Standard |  |
| S | Shaped |  |
| T | Separated Stages |  |
| A | Single Inlet |  |

| No. of Elements | Adaptor | List Price \$ |
|-----------------|---------|---------------|
| 2+ | 0P + 0P | |
| | 1P + 0P | |
| | 1P + 1P | |
| | 2P + 1P | |
| | 2P + 0P | |
| | 2P + 2P | |
| | 3P + 1P | |
| | 3P + 0P | |
| | 3P + 2P | |
| 3P + 3P | | |

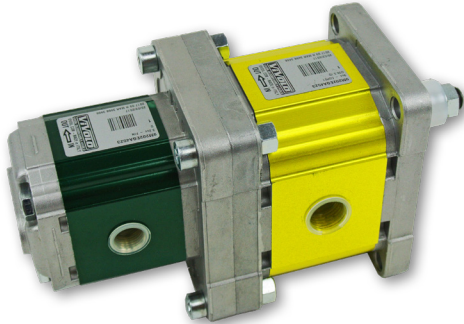
| Flange & Rotation | | | | |
|-------------------|-----------|------------|------------|----------------|
| DIN Flange | | SAE Flange | | Group |
| CW | CCW | CW | CCW | |
| 02 | 01 | n/a | n/a | Group 0 |
| 02 | 01 | 62 | 61 | Group 1 |
| 02 | 01 | 52 | 51 | Group 2 |
| 02 | 01 | 32 | 31 | Group 3 |

| Shaft | | |
|----------|----------------|-----------------------|
| A | Group 0 | 7mm Keyed |
| F | Group 1 | DIN 1:8 Taper |
| E | Group 2 | DIN 1:8 Taper |
| I | | 5/8" 9T Spline SAE A |
| B | | 5/8" Keyed SAE A |
| A | Group 3 | DIN 1:8 Taper |
| H | | 7/8" Keyed SAE B |
| I | | 7/8" 13T Spline SAE B |

Note: Other shafts available ex-Vivoil on request

| Ports | |
|----------|------|
| G | BSPP |

* Others available ex-Vivoil on request

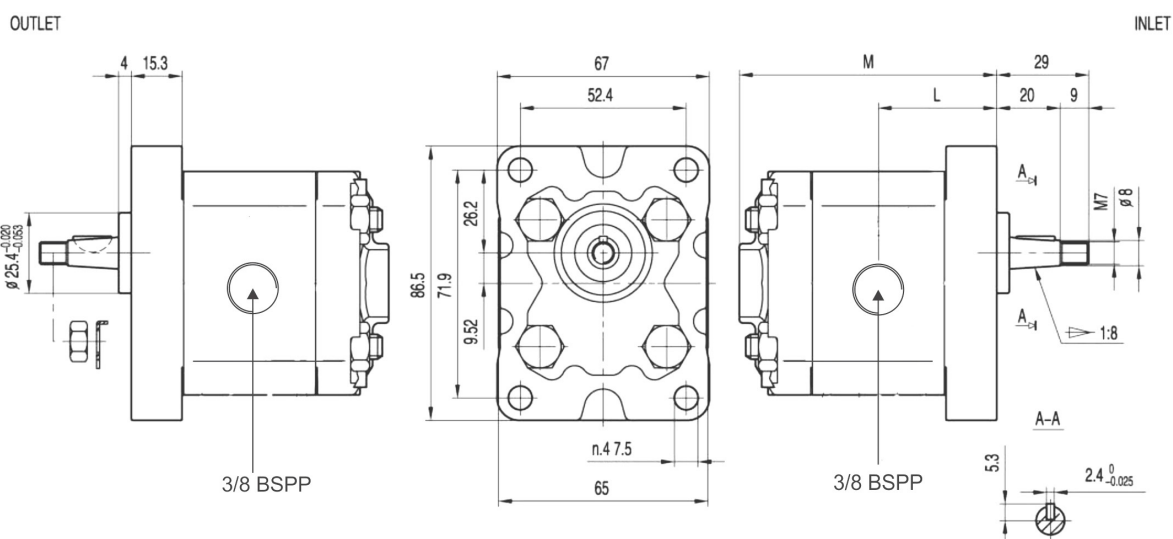
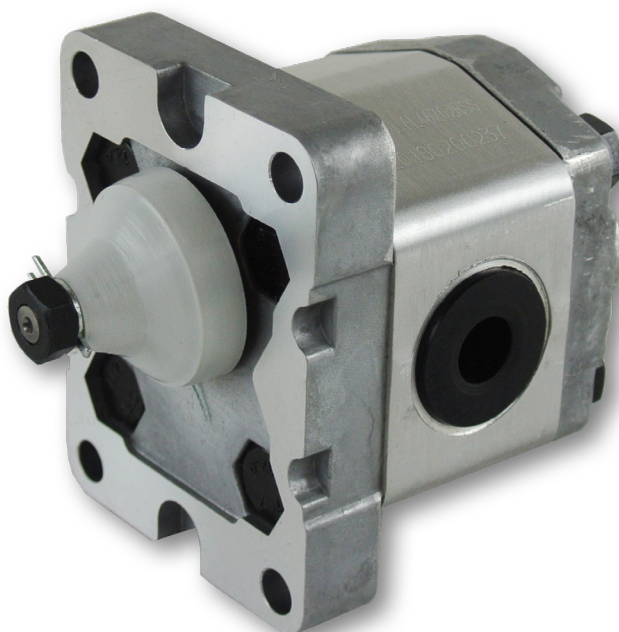


| | | List Price \$ | | |
|----------|---------------------------------|---------------|---------|---------|
| | | Group 1 | Group 2 | Group 3 |
| A | Standard blank cover | - | - | - |
| B | Rear suction port | | | |
| C | Rear pressure port | | | |
| D | Rear suction & pressure ports | | | |
| O | Rear relief with internal drain | | | - |

| Displacement | | | | | | | |
|--------------|---------------|-----------|---------------|-----------|---------------|-----------|---------------|
| Group 0 | | Group 1 | | Group 2 | | Group 3 | |
| Pump (cc) | List Price \$ | Pump (cc) | List Price \$ | Pump (cc) | List Price \$ | Pump (cc) | List Price \$ |
| 01 | 0.16 | 16 | 0.91 | 41 | 4.20 | 66 | 14.89 |
| 02 | 0.24 | 17 | 1.17 | 43 | 6.00 | 68 | 17.37 |
| 04 | 0.45 | 18 | 1.56 | 45 | 8.40 | 70 | 21.10 |
| 05 | 0.56 | 20 | 2.08 | 47 | 10.80 | 72 | 26.97 |
| 06 | 0.75 | 21 | 2.60 | 49 | 14.40 | 74 | 32.27 |
| 07 | 0.92 | 23 | 3.12 | 51 | 16.80 | 78 | 38.47 |
| 09 | 1.26 | 25 | 3.64 | 53 | 19.20 | 79 | 43.44 |
| 11 | 1.48 | 27 | 4.16 | 55 | 22.80 | 80 | 47.16 |
| 13 | 2.28 | 29 | 4.94 | 57 | 26.20 | 81 | 50.88 |
| | | 31 | 5.85 | 59 | 30.00 | 82 | 54.60 |
| | | 32 | 6.50 | 61 | 34.20 | 83 | 60.81 |
| | | 34 | 7.54 | 63 | 39.60 | 85 | 64.53 |
| | | 36 | 9.88 | | | 86 | 70.74 |
| | | | | | | 87 | 74.46 |
| | | | | | | 89 | 86.87 |

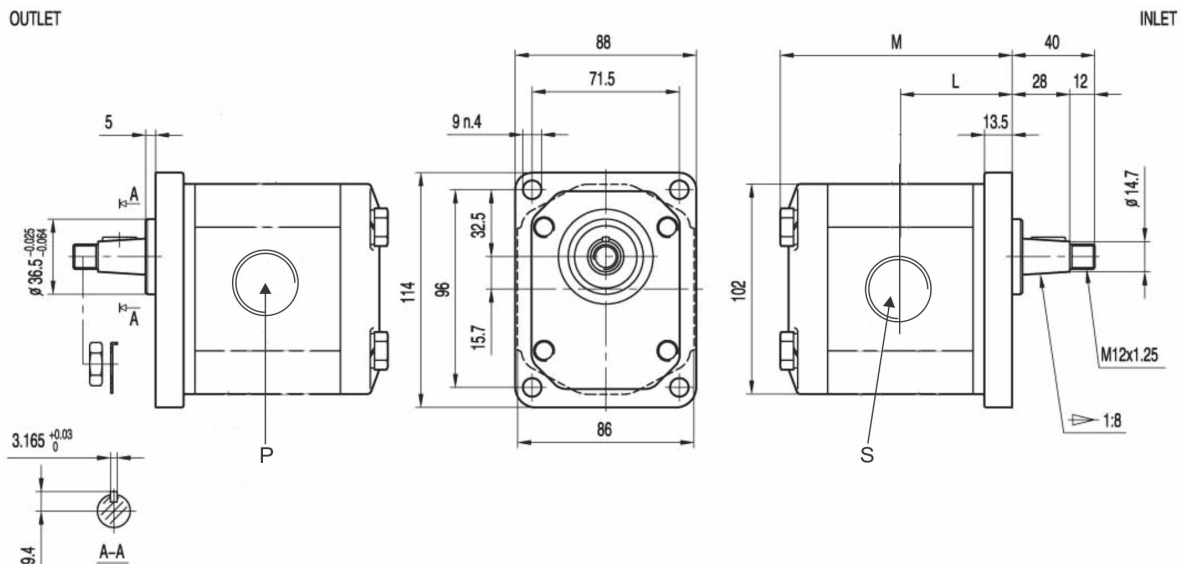
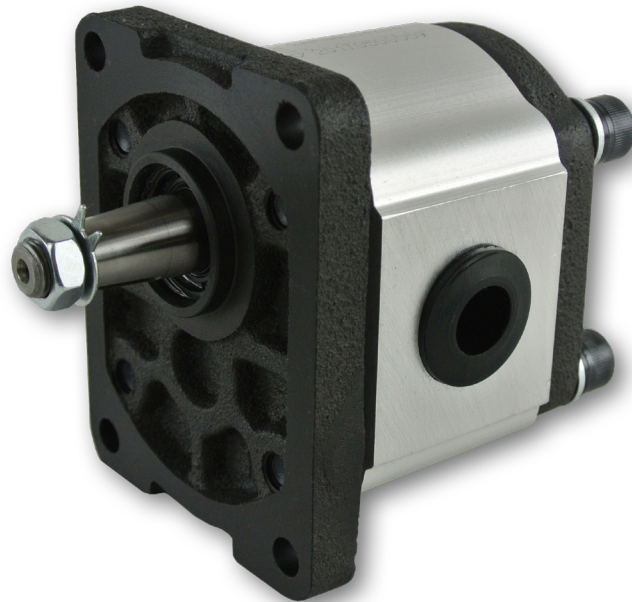
Group 1 Pump DIN Mount, 1:8 Tapered Shaft

| Part # | List Price \$ | CC | Pressure | | Max/Min Speed (RPM) | Port P | Port S |
|-----------------------|---------------|-----|----------|---------|---------------------|-----------|-----------|
| | | | Rated | Maximum | | | |
| 1APG-1.1-L46-Z02-R-SS | | 1.1 | 200 bar | 250 bar | 6000/600 | 3/8" BSPP | 3/8" BSPP |
| 1APG-1.6-L46-Z02-R-SS | | 1.6 | 200 bar | 250 bar | 6000/600 | 3/8" BSPP | 3/8" BSPP |
| 1APG-2.1-L46-Z02-R-SS | | 2.1 | 200 bar | 250 bar | 6000/600 | 3/8" BSPP | 3/8" BSPP |
| 1APG-2.7-L46-Z02-R-SS | | 2.7 | 200 bar | 250 bar | 6000/600 | 3/8" BSPP | 3/8" BSPP |
| 1APG-3.2-L46-Z02-R-SS | | 3.2 | 200 bar | 250 bar | 5000/600 | 3/8" BSPP | 3/8" BSPP |
| 1APG-3.7-L46-Z02-R-SS | | 3.7 | 200 bar | 250 bar | 4500/600 | 3/8" BSPP | 3/8" BSPP |
| 1APG-4.2-L46-Z02-R-SS | | 4.2 | 200 bar | 250 bar | 4000/600 | 3/8" BSPP | 3/8" BSPP |
| 1APG-4.8-L46-Z02-R-SS | | 4.8 | 160 bar | 200 bar | 3500/600 | 3/8" BSPP | 3/8" BSPP |
| 1APG-5.8-L46-Z02-R-SS | | 5.8 | 160 bar | 200 bar | 2900/600 | 3/8" BSPP | 3/8" BSPP |
| 1APG-8.0-L46-Z02-R-SS | | 8.0 | 160 bar | 200 bar | 2100/600 | 3/8" BSPP | 3/8" BSPP |



Group 2 Pump DIN Mount, 1:8 Tapered Shaft

| Part # | List Price \$ | CC | Pressure | | Max/Min Speed (RPM) | Port P | Port S | Dimension (mm) | |
|------------------------|---------------|----|----------|---------|---------------------|-----------|-----------|----------------|------|
| | | | Rated | Maximum | | | | M | L |
| 2APG-4-L04-Z03-R-SS-K | | 4 | 175 bar | 200 bar | 3500/500 | 1/2" BSPP | 1/2" BSPP | 93.0 | 44.5 |
| 2APG-6-L04-Z03-R-SS-K | | 6 | 175 bar | 200 bar | 3500/500 | 1/2" BSPP | 1/2" BSPP | 96.0 | 46.0 |
| 2APG-8-L08-Z03-R-SS-K | | 8 | 175 bar | 200 bar | 3500/500 | 1/2" BSPP | 3/4" BSPP | 93.3 | 47.7 |
| 2APG-10-L08-Z03-R-SS-K | | 10 | 175 bar | 200 bar | 3500/500 | 1/2" BSPP | 3/4" BSPP | 102.6 | 49.3 |
| 2APG-12-L08-Z03-R-SS-K | | 12 | 175 bar | 200 bar | 3500/500 | 1/2" BSPP | 3/4" BSPP | 105.9 | 51.0 |
| 2APG-14-L08-Z03-R-SS-K | | 14 | 175 bar | 200 bar | 3500/500 | 1/2" BSPP | 3/4" BSPP | 109.3 | 52.7 |
| 2APG-16-L03-Z03-R-SS-K | | 16 | 175 bar | 200 bar | 3500/500 | 1/2" BSPP | 3/4" BSPP | 112.7 | 54.0 |
| 2APG-18-L03-Z03-R-SS-K | | 18 | 175 bar | 200 bar | 3500/500 | 3/4" BSPP | 1" BSPP | 116.0 | 56.0 |
| 2APG-20-L03-Z03-R-SS-K | | 20 | 175 bar | 200 bar | 3500/500 | 3/4" BSPP | 1" BSPP | 119.3 | 57.7 |
| 2APG-23-L03-Z03-R-SS-K | | 23 | 175 bar | 200 bar | 3000/500 | 3/4" BSPP | 1" BSPP | 122.6 | 59.3 |
| 2APG-25-L03-Z03-R-SS-K | | 25 | 175 bar | 200 bar | 3000/500 | 3/4" BSPP | 1" BSPP | 127.6 | 61.8 |
| 2APG-28-L03-Z03-R-SS-K | | 28 | 160 bar | 200 bar | 3000/500 | 3/4" BSPP | 1" BSPP | 132.6 | 64.3 |
| 2APG-30-L03-Z03-R-SS-K | | 30 | 160 bar | 200 bar | 3000/500 | 3/4" BSPP | 1" BSPP | 135.9 | 66.0 |

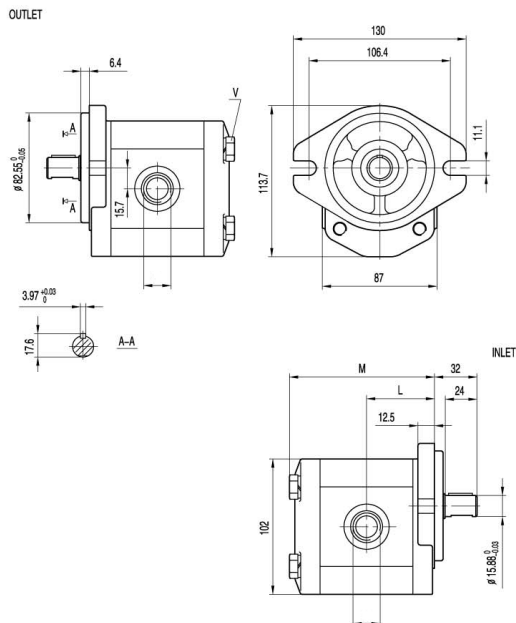


Group 2 Pump SAE A Mount, 5/8" Keyed Shaft

| Part # | List Price \$ | CC | Pressure | | Max/Min Speed (RPM) | Port P | Port S |
|------------------------|---------------|----|----------|---------|---------------------|-------------|-------------|
| | | | Rated | Maximum | | | |
| 2APG-4-L39-P02-R-SS-K | | 4 | 175 bar | 200 bar | 3500/500 | 7/8" UNO | 1.1/16" UNO |
| 2APG-6-L39-P02-R-SS-K | | 6 | 175 bar | 200 bar | 3500/500 | 7/8" UNO | 1.1/16" UNO |
| 2APG-8-L42-P02-R-SS-K | | 8 | 175 bar | 200 bar | 3500/500 | 1.1/16" UNO | 1.5/16" UNO |
| 2APG-10-L42-P02-R-SS-K | | 10 | 175 bar | 200 bar | 3500/500 | 1.1/16" UNO | 1.5/16" UNO |
| 2APG-12-L42-P02-R-SS-K | | 12 | 175 bar | 200 bar | 3500/500 | 1.1/16" UNO | 1.5/16" UNO |
| 2APG-14-L42-P02-R-SS-K | | 14 | 175 bar | 200 bar | 3500/500 | 1.1/16" UNO | 1.5/16" UNO |
| 2APG-16-L42-P02-R-SS-K | | 16 | 175 bar | 200 bar | 3500/500 | 1.1/16" UNO | 1.5/16" UNO |
| 2APG-18-L42-P02-R-SS-K | | 18 | 175 bar | 200 bar | 3500/500 | 1.1/16" UNO | 1.5/16" UNO |
| 2APG-20-L42-P02-R-SS-K | | 20 | 175 bar | 200 bar | 3500/500 | 1.1/16" UNO | 1.5/16" UNO |
| 2APG-23-L42-P02-R-SS-K | | 23 | 175 bar | 200 bar | 3000/500 | 1.1/16" UNO | 1.5/16" UNO |
| 2APG-25-L42-P02-R-SS-K | | 25 | 175 bar | 200 bar | 3000/500 | 1.1/16" UNO | 1.5/16" UNO |
| 2APG-28-L42-P02-R-SS-K | | 28 | 160 bar | 200 bar | 3000/500 | 1.1/16" UNO | 1.5/16" UNO |
| 2APG-30-L42-P02-R-SS-K | | 30 | 160 bar | 200 bar | 3000/500 | 1.1/16" UNO | 1.5/16" UNO |

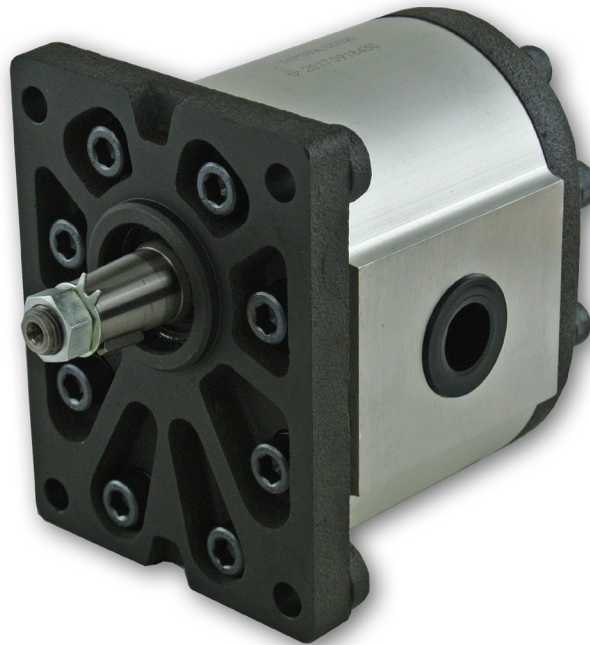
Group 2 Pump SAE A Mount, 5/8" 9 Tooth Spline Shaft

| Part # | List Price \$ | CC | Pressure | | Max/Min Speed (RPM) | Port P | Port S |
|------------------------|---------------|----|----------|---------|---------------------|-------------|-------------|
| | | | Rated | Maximum | | | |
| 2APG-6-L39-S03-R-SS-K | | 6 | 175 bar | 200 bar | 3500/500 | 7/8" UNO | 1.1/16" UNO |
| 2APG-8-L42-S03-R-SS-K | | 8 | 175 bar | 200 bar | 3500/500 | 1.1/16" UNO | 1.5/16" UNO |
| 2APG-10-L42-S03-R-SS-K | | 10 | 175 bar | 200 bar | 3500/500 | 1.1/16" UNO | 1.5/16" UNO |
| 2APG-12-L42-S03-R-SS-K | | 12 | 175 bar | 200 bar | 3500/500 | 1.1/16" UNO | 1.5/16" UNO |
| 2APG-14-L42-S03-R-SS-K | | 14 | 175 bar | 200 bar | 3500/500 | 1.1/16" UNO | 1.5/16" UNO |
| 2APG-16-L42-S03-R-SS-K | | 16 | 175 bar | 200 bar | 3500/500 | 1.1/16" UNO | 1.5/16" UNO |
| 2APG-18-L42-S03-R-SS-K | | 18 | 175 bar | 200 bar | 3500/500 | 1.1/16" UNO | 1.5/16" UNO |
| 2APG-20-L42-S03-R-SS-K | | 20 | 175 bar | 200 bar | 3500/500 | 1.1/16" UNO | 1.5/16" UNO |
| 2APG-23-L42-S03-R-SS-K | | 23 | 175 bar | 200 bar | 3000/500 | 1.1/16" UNO | 1.5/16" UNO |
| 2APG-25-L42-S03-R-SS-K | | 25 | 175 bar | 200 bar | 3000/500 | 1.1/16" UNO | 1.5/16" UNO |
| 2APG-28-L42-S03-R-SS-K | | 28 | 160 bar | 200 bar | 3000/500 | 1.1/16" UNO | 1.5/16" UNO |
| 2APG-30-L42-S03-R-SS-K | | 30 | 160 bar | 200 bar | 3000/500 | 1.1/16" UNO | 1.5/16" UNO |



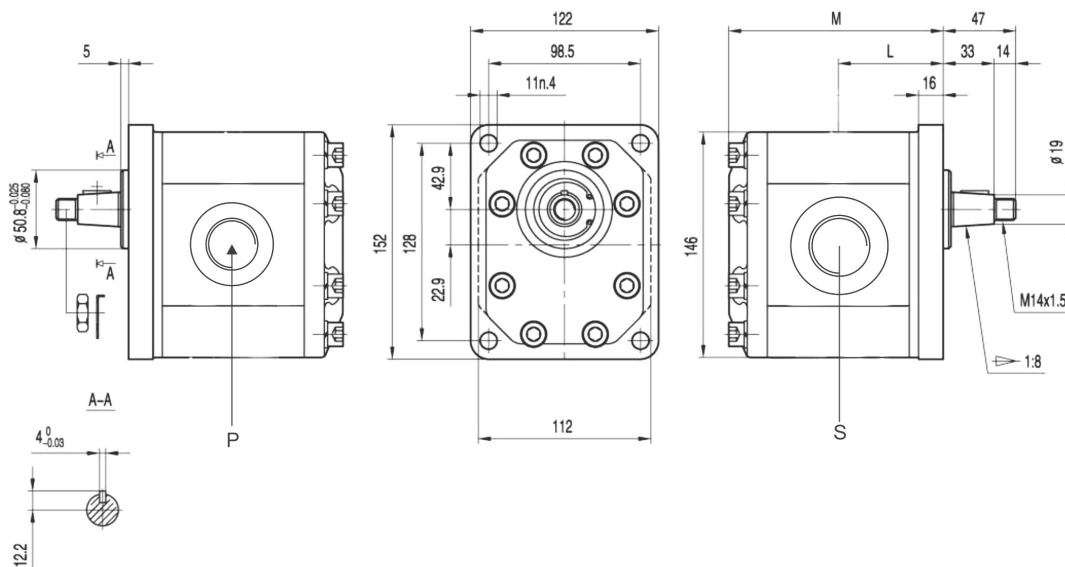
Group 3 Pump DIN Mount, 1:8 Tapered Shaft

| Part # | List Price \$ | CC | Pressure | | Max/Min Speed (RPM) | Port P | Port S | Dimension (mm) | |
|------------------------|---------------|----|----------|---------|---------------------|-------------|-------------|----------------|------|
| | | | Rated | Maximum | | | | M | L |
| 3APG-22-L69-Z05-R-SS-K | | 22 | 175 bar | 200 bar | 3000/400 | 3/4" BSPP | 3/4" BSPP | 128.5 | 65.5 |
| 3APG-26-L03-Z05-R-SS-K | | 26 | 175 bar | 200 bar | 3000/400 | 3/4" BSPP | 1" BSPP | 131.5 | 67.0 |
| 3APG-34-L03-Z05-R-SS-K | | 34 | 175 bar | 200 bar | 3000/400 | 3/4" BSPP | 1" BSPP | 137.0 | 69.8 |
| 3APG-39-L03-Z05-R-SS-K | | 39 | 175 bar | 200 bar | 3000/400 | 3/4" BSPP | 1" BSPP | 141.0 | 71.8 |
| 3APG-43-L11-Z05-R-SS-K | | 43 | 175 bar | 200 bar | 2800/400 | 1" BSPP | 1.1/4" BSPP | 143.5 | 73.0 |
| 3APG-51-L11-Z05-R-SS-K | | 51 | 175 bar | 200 bar | 2800/400 | 1" BSPP | 1.1/4" BSPP | 149.5 | 76.0 |
| 3APG-60-L11-Z05-R-SS-K | | 60 | 175 bar | 200 bar | 2800/400 | 1" BSPP | 1.1/4" BSPP | 156.0 | 79.3 |
| 3APG-70-L60-Z05-R-SS-K | | 70 | 175 bar | 200 bar | 2500/400 | 1.1/4" BSPP | 1.1/2" BSPP | 163.0 | 82.8 |
| 3APG-78-L60-Z05-R-SS-K | | 78 | 160 bar | 200 bar | 2300/400 | 1.1/4" BSPP | 1.1/2" BSPP | 171.0 | 85.0 |
| 3APG-89-L60-Z05-R-SS-K | | 89 | 140 bar | 180 bar | 2000/400 | 1.1/4" BSPP | 1.1/2" BSPP | 176.0 | 88.0 |



OUTLET

INLET



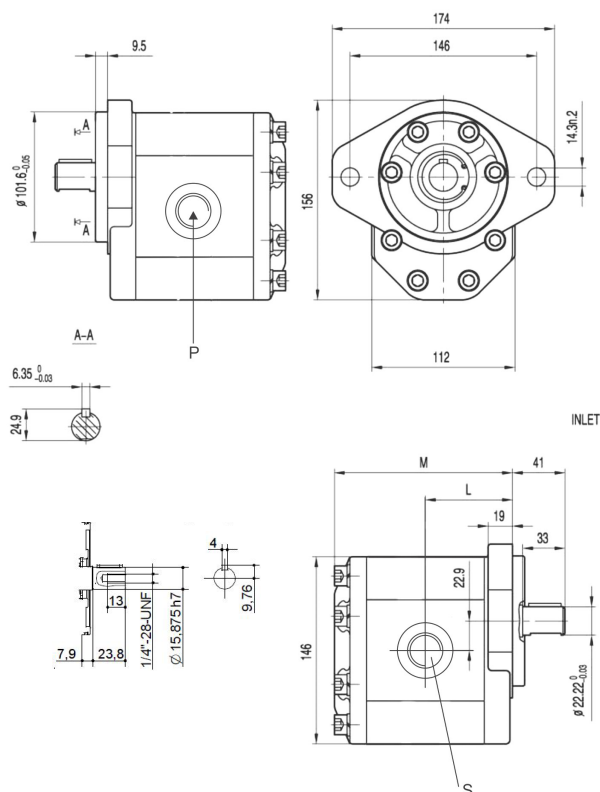
Group 3 Pump SAE B Mount, 7/8" Keyed Shaft

| Part # | List Price \$ | CC | Pressure | | Max/Min Speed (RPM) | Port P | Port S |
|------------------------|---------------|----|----------|---------|---------------------|-------------|-------------|
| | | | Rated | Maximum | | | |
| 3APG-22-L42-P16-R-SS-K | | 22 | 175 bar | 200 bar | 3000/400 | 1.1/16" UNO | 1.5/16" UNO |
| 3APG-26-L42-P16-R-SS-K | | 26 | 175 bar | 200 bar | 3000/400 | 1.1/16" UNO | 1.5/16" UNO |
| 3APG-34-L42-P16-R-SS-K | | 34 | 175 bar | 200 bar | 3000/400 | 1.1/16" UNO | 1.5/16" UNO |
| 3APG-39-L42-P16-R-SS-K | | 39 | 175 bar | 200 bar | 3000/400 | 1.1/16" UNO | 1.5/16" UNO |
| 3APG-43-L51-P16-R-SS-K | | 43 | 175 bar | 200 bar | 2800/400 | 1.1/16" UNO | 1.5/8" UNO |
| 3APG-51-L51-P16-R-SS-K | | 51 | 175 bar | 200 bar | 2800/400 | 1.1/16" UNO | 1.5/8" UNO |
| 3APG-60-L53-P16-R-SS-K | | 60 | 175 bar | 200 bar | 2800/400 | 1.5/16" UNO | 1.5/8" UNO |
| 3APG-70-L53-P16-R-SS-K | | 70 | 175 bar | 200 bar | 2500/400 | 1.5/16" UNO | 1.5/8" UNO |
| 3APG-78-L53-P16-R-SS-K | | 78 | 160 bar | 200 bar | 2300/400 | 1.5/16" UNO | 1.5/8" UNO |
| 3APG-89-L53-P16-R-SS-K | | 89 | 140 bar | 180 bar | 2000/400 | 1.5/16" UNO | 1.5/8" UNO |

Group 3 Pump SAE B Mount, 7/8" 13 Tooth Spline Shaft

| Part # | List Price \$ | CC | Pressure | | Max/Min Speed (RPM) | Port P | Port S |
|------------------------|---------------|----|----------|---------|---------------------|-------------|-------------|
| | | | Rated | Maximum | | | |
| 3APG-22-L42-S05-R-SS-K | | 22 | 175 bar | 200 bar | 3000/400 | 1.1/16" UNO | 1.5/16" UNO |
| 3APG-26-L42-S05-R-SS-K | | 26 | 175 bar | 200 bar | 3000/400 | 1.1/16" UNO | 1.5/16" UNO |
| 3APG-34-L42-S05-R-SS-K | | 34 | 175 bar | 200 bar | 3000/400 | 1.1/16" UNO | 1.5/16" UNO |
| 3APG-39-L42-S05-R-SS-K | | 39 | 175 bar | 200 bar | 3000/400 | 1.1/16" UNO | 1.5/16" UNO |
| 3APG-43-L51-S05-R-SS-K | | 43 | 175 bar | 200 bar | 2800/400 | 1.1/16" UNO | 1.5/8" UNO |
| 3APG-51-L51-S05-R-SS-K | | 51 | 175 bar | 200 bar | 2800/400 | 1.1/16" UNO | 1.5/8" UNO |
| 3APG-60-L53-S05-R-SS-K | | 60 | 175 bar | 200 bar | 2800/400 | 1.5/16" UNO | 1.5/8" UNO |
| 3APG-70-L53-S05-R-SS-K | | 70 | 175 bar | 200 bar | 2500/400 | 1.5/16" UNO | 1.5/8" UNO |
| 3APG-78-L53-S05-R-SS-K | | 78 | 160 bar | 200 bar | 2300/400 | 1.5/16" UNO | 1.5/8" UNO |
| 3APG-89-L53-S05-R-SS-K | | 89 | 140 bar | 180 bar | 2000/400 | 1.5/16" UNO | 1.5/8" UNO |

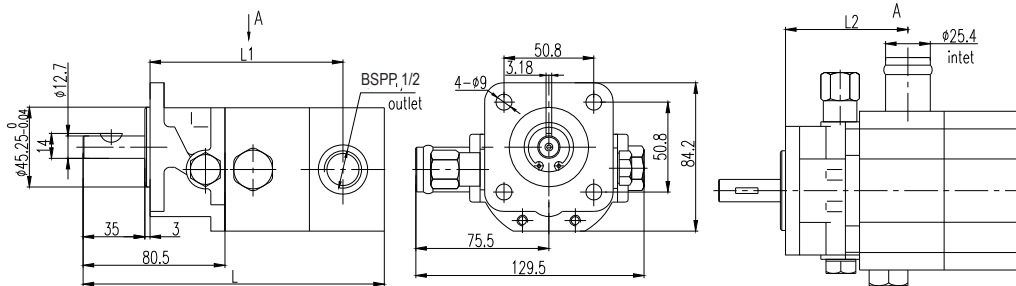
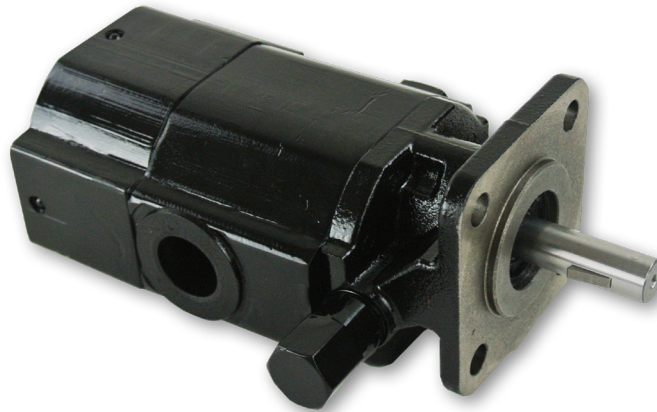
OUTLET



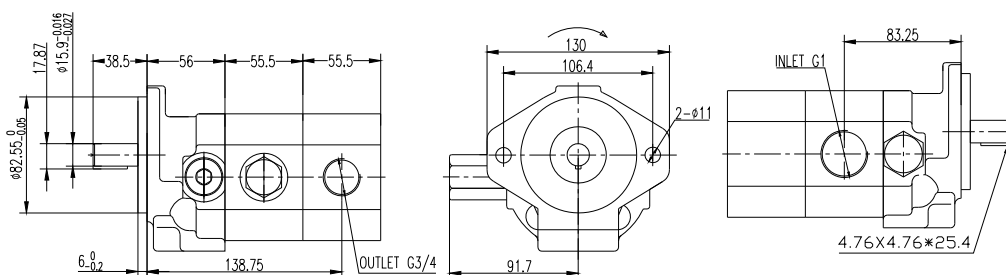
Log Splitter Pumps

| Part # | List Price \$ | CC Hi-Flow | CC Lo-Flow | Unload Pressure Range | Maximum Pressure | Inlet Port | Outlet Port |
|-------------------|---------------|------------|------------|-----------------------|------------------|------------|-------------|
| CBT8.8/2.1-L08-C | | 8.8 | 2.1 | 30-60 bar | 200 bar | 3/4" BSPP | 1/2" BSPP |
| CBT8.8/3.0-L08-C | | 8.8 | 3.0 | 30-60 bar | 200 bar | 3/4" BSPP | 1/2" BSPP |
| CBT13.0/2.1-L08-C | | 13.0 | 2.1 | 30-60 bar | 200 bar | 3/4" BSPP | 1/2" BSPP |
| CBT13.0/3.0-L08-C | | 13.0 | 3.0 | 30-60 bar | 200 bar | 3/4" BSPP | 1/2" BSPP |
| CBT13.0/4.2-L08-C | | 13.0 | 4.2 | 30-60 bar | 200 bar | 3/4" BSPP | 1/2" BSPP |
| CBT15.2/7.6-L03-C | | 15.2 | 7.6 | 30-60 bar | 200 bar | 1" BSPP | 3/4" BSPP |
| CBT22.9/7.6-L03-C | | 22.9 | 7.6 | 30-60 bar | 200 bar | 1" BSPP | 3/4" BSPP |

CBT8.8
CBT13.0



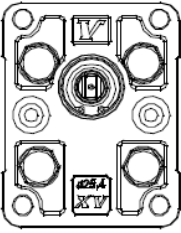
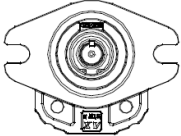
CBT15.2
CBT22.9



ORDER CODES FOR VIVOIL GROUP 1 MOTORS

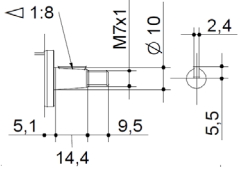
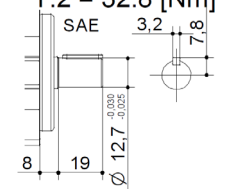
| Series | Group | Motor | Displacement | Flange | Shaft | Inlet Port | Outlet Port | Rear Cover |
|--------|-------|-------|--------------|--------|-------|------------|-------------|------------|
| X | 1 | M | 27 | 01 | F | B | B | E |

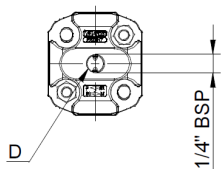
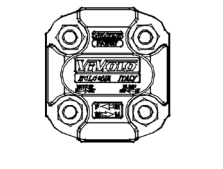
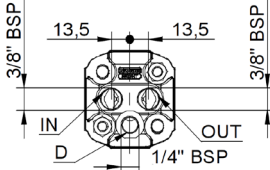
| DISPLACEMENT | |
|--------------|----|
| 0.91cc | 16 |
| 1.17cc | 17 |
| 1.56cc | 18 |
| 2.08cc | 20 |
| 2.60cc | 21 |
| 3.12cc | 23 |
| 3.64cc | 25 |
| 4.16cc | 27 |
| 4.94cc | 29 |
| 5.85cc | 31 |
| 6.50cc | 32 |
| 7.54cc | 34 |
| 9.88cc | 36 |

| FLANGE | |
|--|----|
|  | 01 |
|  | 02 |

| PORTS | INLET | OUTLET |
|-------|-------|--------|
| 0.9cc | B | B |
| 1.2cc | B | B |
| 1.7cc | B | B |
| 2.2cc | B | B |
| 2.6cc | B | B |
| 3.2cc | B | B |
| 3.6cc | B | B |
| 4.3cc | B | B |
| 4.9cc | B | B |
| 5.9cc | B | B |
| 6.5cc | B | B |
| 7.8cc | B | B |
| 9.8cc | B | B |

B = 3/8" BSPP

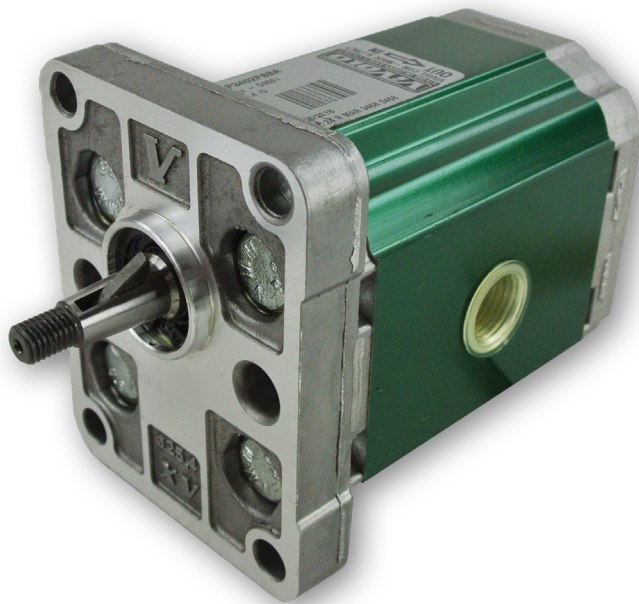
| SHAFT | |
|--|---|
| <p>CO001 - Tapered</p> <p>T.2 = 43 [Nm]</p>  <p>Tapered 1:8 Ø 10mm - M7x1 Key 2.4mm</p> | F |
| <p>CI002 - Parallel</p> <p>T.2 = 32.8 [Nm]</p>  <p>Parallel Ø 1/2" - Key 3.2mm</p> | B |

| REAR COVER | |
|---|---|
|  <p>EXTERNAL DRAIN</p> | E |
|  <p>INTERNAL DRAIN</p> | F |
|  <p>REAR PORTED EXTERNAL DRAIN</p> | K |

Please note:
Additional costs apply for non-standard options

Group 1 Motor DIN Mount, 1:8 Tapered Shaft

| Part # | List Price \$ | CC | Max Pressure (bar) | | Min Start Pressure (bar) | Max/Min Speed (RPM) | Port S | Port P | Dimension (mm) | | |
|-------------|---------------|------|--------------------|-------|--------------------------|---------------------|-----------|-----------|----------------|------|-------|
| | | | Inlet | Drain | | | | | A | B | C |
| X1M1601FBBE | | 0.91 | 240 | 6 | 30 | 6000/700 | 3/8" BSPP | 3/8" BSPP | 78.1 | 37.3 | 66.1 |
| X1M1701FBBE | | 1.17 | 250 | 6 | 30 | 6000/700 | 3/8" BSPP | 3/8" BSPP | 79.0 | 37.8 | 67.0 |
| X1M1801FBBE | | 1.56 | 250 | 6 | 30 | 6000/700 | 3/8" BSPP | 3/8" BSPP | 80.5 | 38.5 | 68.5 |
| X1M2001FBBE | | 2.08 | 250 | 6 | 25 | 6000/700 | 3/8" BSPP | 3/8" BSPP | 82.5 | 39.5 | 70.5 |
| X1M2101FBBE | | 2.60 | 250 | 6 | 20 | 6000/700 | 3/8" BSPP | 3/8" BSPP | 84.5 | 40.5 | 72.5 |
| X1M2301FBBE | | 3.12 | 250 | 6 | 15 | 6000/700 | 3/8" BSPP | 3/8" BSPP | 86.5 | 41.5 | 74.5 |
| X1M2501FBBE | | 3.64 | 250 | 6 | 15 | 6000/700 | 3/8" BSPP | 3/8" BSPP | 88.5 | 42.5 | 76.5 |
| X1M2701FBBE | | 4.16 | 250 | 6 | 15 | 6000/700 | 3/8" BSPP | 3/8" BSPP | 90.5 | 43.5 | 78.5 |
| X1M2901FBBE | | 4.94 | 250 | 6 | 15 | 6000/700 | 3/8" BSPP | 3/8" BSPP | 93.5 | 45.0 | 81.5 |
| X1M3101FBBE | | 5.85 | 250 | 6 | 15 | 5000/700 | 3/8" BSPP | 3/8" BSPP | 97.0 | 46.8 | 85.0 |
| X1M3201FBBE | | 6.50 | 250 | 6 | 10 | 5000/700 | 3/8" BSPP | 3/8" BSPP | 98.5 | 48.0 | 86.5 |
| X1M3401FBBE | | 7.54 | 220 | 6 | 10 | 5000/700 | 3/8" BSPP | 3/8" BSPP | 103.5 | 50.0 | 91.5 |
| X1M3601FBBE | | 9.88 | 190 | 6 | 10 | 4000/700 | 3/8" BSPP | 3/8" BSPP | 112.5 | 54.5 | 100.5 |



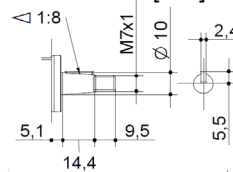
Group 1 Motor Seal Kit

| Part # | List Price \$ | Material |
|-----------|---------------|----------|
| 8KGX1M1.A | | NBR |
| 8KGX1M1.V | | Viton |

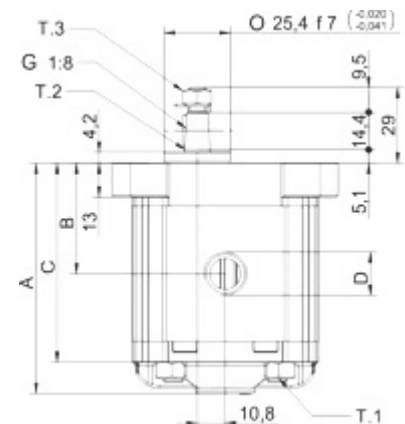
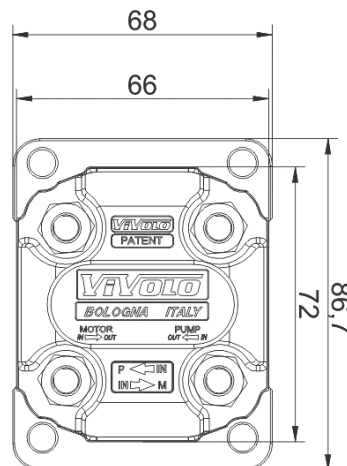
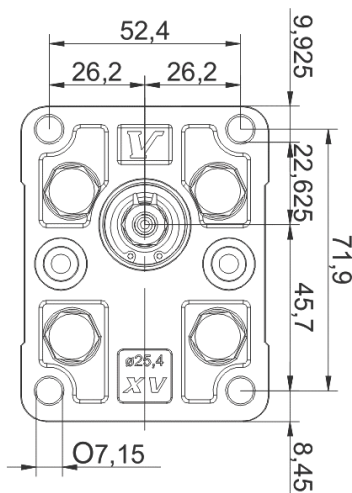
Rear port with drain available

CO001 - Tapered

T.2 = 43 [Nm]



SAE A-2 bolt available keyed or spline shaft

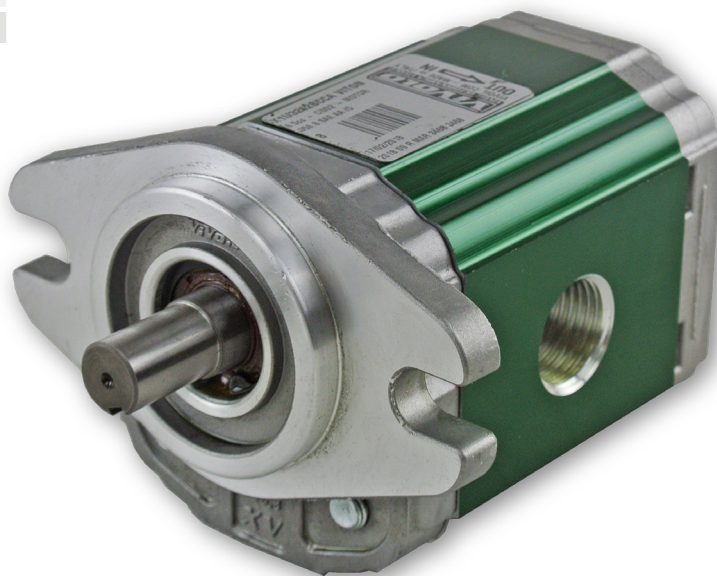


Group 1 Motor SAE AA Mount, 1/2" Keyed Shaft

| Part # | List Price \$ | CC | Max Pressure (bar) | | Min Start Pressure (bar) | Max/Min Speed (RPM) | Port S | Port P | Dimension (mm) | | |
|-------------|---------------|------|--------------------|-------|--------------------------|---------------------|-----------|-----------|----------------|------|-------|
| | | | Inlet | Drain | | | | | A | B | C |
| X1M1661BBBE | | 0.91 | 240 | 6 | 30 | 6000/700 | 3/8" BSPP | 3/8" BSPP | 82.6 | 41.8 | 70.6 |
| X1M1761BBBE | | 1.17 | 250 | 6 | 30 | 6000/700 | 3/8" BSPP | 3/8" BSPP | 83.5 | 42.3 | 71.5 |
| X1M1861BBBE | | 1.56 | 250 | 6 | 30 | 6000/700 | 3/8" BSPP | 3/8" BSPP | 85.0 | 43.0 | 73.0 |
| X1M2061BBBE | | 2.08 | 250 | 6 | 25 | 6000/700 | 3/8" BSPP | 3/8" BSPP | 87.0 | 44.0 | 75.0 |
| X1M2161BBBE | | 2.60 | 250 | 6 | 20 | 6000/700 | 3/8" BSPP | 3/8" BSPP | 89.0 | 45.0 | 77.0 |
| X1M2361BBBE | | 3.12 | 250 | 6 | 15 | 6000/700 | 3/8" BSPP | 3/8" BSPP | 91.0 | 46.5 | 79.0 |
| X1M2561BBBE | | 3.64 | 250 | 6 | 15 | 6000/700 | 3/8" BSPP | 3/8" BSPP | 93.0 | 47.0 | 81.0 |
| X1M2761BBBE | | 4.16 | 250 | 6 | 15 | 6000/700 | 3/8" BSPP | 3/8" BSPP | 95.0 | 48.0 | 83.0 |
| X1M2961BBBE | | 4.94 | 250 | 6 | 15 | 6000/700 | 3/8" BSPP | 3/8" BSPP | 98.0 | 49.5 | 86.0 |
| X1M3161BBBE | | 5.85 | 250 | 6 | 15 | 5000/700 | 3/8" BSPP | 3/8" BSPP | 101.5 | 51.3 | 89.5 |
| X1M3261BBBE | | 6.50 | 250 | 6 | 10 | 5000/700 | 3/8" BSPP | 3/8" BSPP | 105.0 | 52.5 | 93.0 |
| X1M3461BBBE | | 7.54 | 220 | 6 | 10 | 5000/700 | 3/8" BSPP | 3/8" BSPP | 108.0 | 54.5 | 96.0 |
| X1M3661BBBE | | 9.88 | 177 | 6 | 10 | 4000/700 | 3/8" BSPP | 3/8" BSPP | 117.0 | 59.0 | 105.0 |

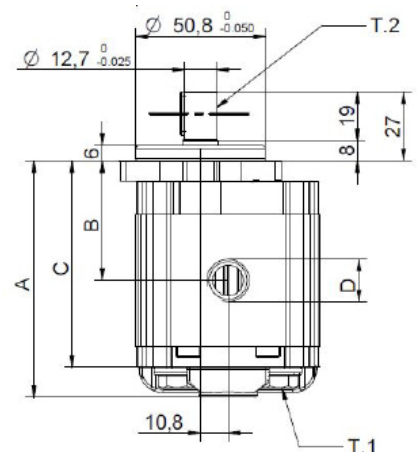
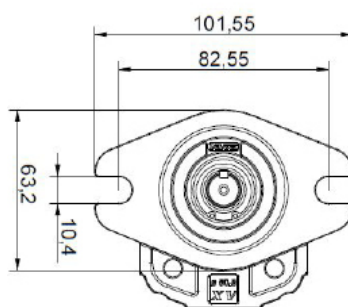
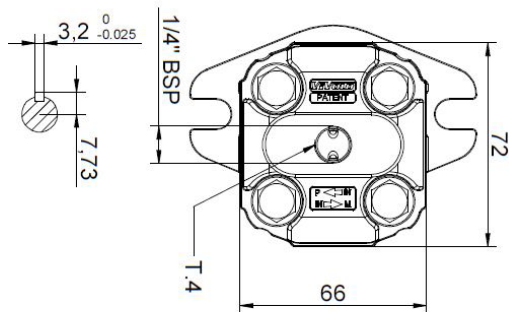
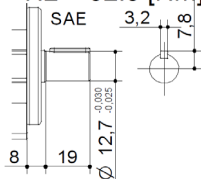
Group 1 Motor Seal Kit

| Part # | List Price \$ | Material |
|-----------|---------------|----------|
| 8KGX1M1.A | | NBR |
| 8KGX1M1.V | | Viton |



CI002 - Parallel

T.2 = 32.8 [Nm]



ORDER CODES FOR VIVOIL GROUP 2 MOTORS


| Series | Group | Motor | Displacement | Flange | Shaft | Inlet Port | Outlet Port | Rear Cover |
|--------|-------|-------|--------------|--------|-------|------------|-------------|------------|
| X | 2 | M | 51 | 32 | A | C | C | F |

| DISPLACEMENT | |
|--------------|----|
| 4.2cc | 41 |
| 6.0cc | 43 |
| 8.4cc | 45 |
| 10.8cc | 47 |
| 14.4cc | 49 |
| 16.8cc | 51 |
| 19.2cc | 53 |
| 22.8cc | 55 |
| 26.2cc | 57 |
| 30.0cc | 59 |
| 34.2cc | 61 |
| 39.6cc | 63 |

| PORTS | INLET | OUTLET |
|---------------|-------|--------|
| 4.2cc | B | B |
| 6.0cc | B | B |
| 8.4cc | B | B |
| 10.8cc | B | B |
| 14.4cc | C | C |
| 16.8cc | C | C |
| 19.2cc | C | C |
| 22.8cc | C | C |
| 26.2cc | D | D |
| 30.0cc | D | D |
| 34.2cc | D | D |
| 39.6cc | D | D |
| B = 1/2" BSPP | | |
| C = 3/4" BSPP | | |
| D = 1" BSPP | | |

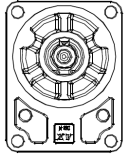
Please note:
Additional costs apply for non-standard options

FLANGE



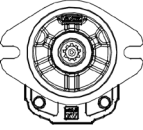
DIN Group 2

01




Ø80 German Standardized

25




SAE-A

31



Ø50 HY German Standardized

13



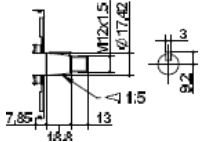
DIN Group 2 Bearing Carrier 1: Taper

1R

E

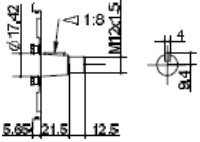
SHAFT

C0002-Tapered
T.2 = 233,2 Nm



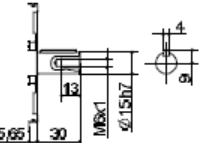
Tapered 1:5 Ø 17.4mm
M12x1.5, Key 3mm
GERMAN MOUNT ONLY

C0001-Tapered
T.2 = 233,2 Nm



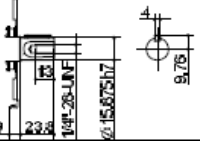
Tapered 1:8 Ø 17.2mm
M12x1.5, Key 4mm

CI001-Parallel
T.2 = 44,1 Nm



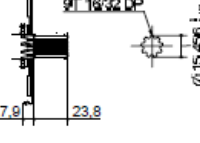
Parallel Ø 15mm - Key 4mm

CI002-Parallel
T.2 = 67,5 Nm



Parallel Ø 5/8" - Key 4mm

SCF04-Splined
T.2 = 104,6 Nm



Splined 9T 16/32 DP

F

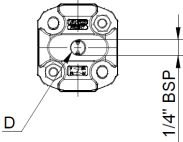
E

A

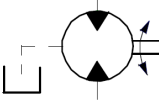
B

I

REAR COVER




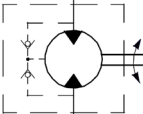
1/4" BSP



EXTERNAL DRAIN

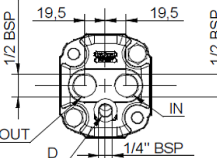
E



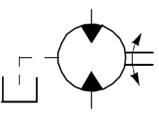


INTERNAL DRAIN

F

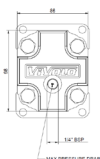


1/2 BSP
19,5
19,5
1/4" BSP
1/4" BSP

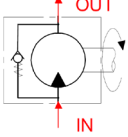


REAR PORTED EXTERNAL DRAIN

K



1/4" BSP
MAX PRESSURE DRAIN TANK



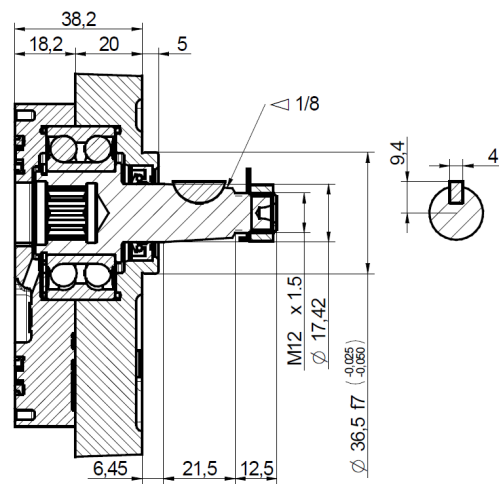
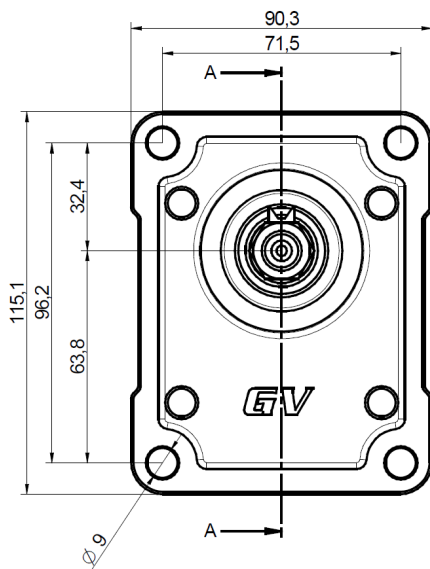
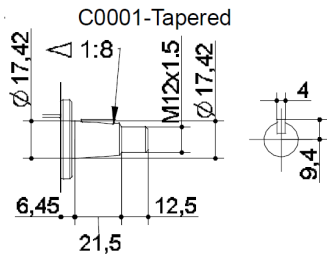
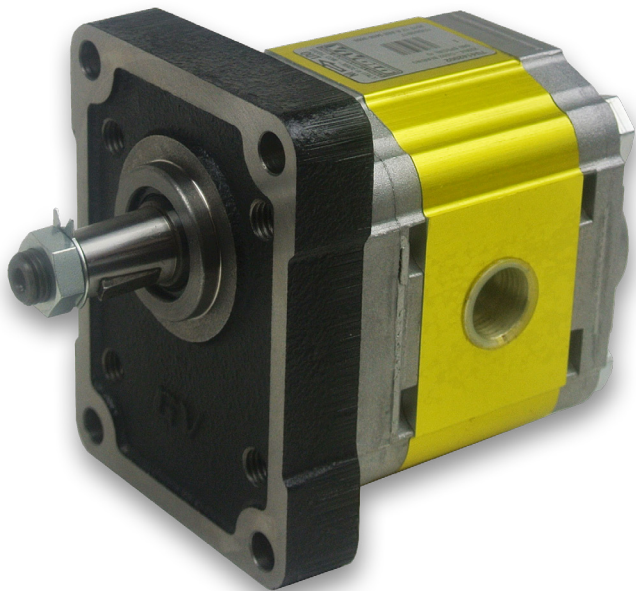
ANTI-CAVITY CHECK VALVE, EXTERNAL DRAIN

001

Group 2 Motor DIN Mount With Bearing Carrier, 1:8 Tapered Shaft



| Part # | List Price \$ | CC | Max Pressure (bar) | | Min Start Pressure (bar) | Max/Min Speed (RPM) | Port S | Port P | Dimension (mm) | | |
|------------------------|---------------|------|--------------------|-------|--------------------------|---------------------|-----------|-----------|----------------|------|-------|
| | | | Inlet | Drain | | | | | A | B | C |
| NEW X2M411REBBE | | 4.2 | 300 | 6 | 30 | 3500/700 | 1/2" BSPP | 1/2" BSPP | 107.2 | 41.7 | 77.2 |
| NEW X2M431REBBE | | 6.0 | 300 | 6 | 25 | 3500/700 | 1/2" BSPP | 1/2" BSPP | 110.2 | 43.2 | 80.2 |
| NEW X2M451REBBE | | 8.4 | 300 | 6 | 20 | 3500/700 | 1/2" BSPP | 1/2" BSPP | 104.2 | 45.2 | 84.2 |
| NEW X2M471REBBE | | 10.8 | 300 | 6 | 20 | 3500/700 | 1/2" BSPP | 1/2" BSPP | 118.2 | 47.2 | 88.2 |
| NEW X2M491RECCE | | 14.4 | 290 | 6 | 15 | 3500/700 | 3/4" BSPP | 3/4" BSPP | 124.2 | 50.2 | 94.2 |
| NEW X2M511RECCE | | 16.8 | 270 | 6 | 15 | 3500/700 | 3/4" BSPP | 3/4" BSPP | 128.2 | 52.2 | 98.2 |
| NEW X2M531RECCE | | 19.2 | 250 | 6 | 15 | 3000/700 | 3/4" BSPP | 3/4" BSPP | 132.2 | 54.2 | 102.2 |
| NEW X2M551RECCE | | 22.8 | 240 | 6 | 15 | 3000/700 | 3/4" BSPP | 3/4" BSPP | 138.2 | 57.2 | 108.2 |
| NEW X2M571REDDE | | 26.2 | 210 | 6 | 15 | 3000/700 | 1" BSPP | 1" BSPP | 142.2 | 59.2 | 112.2 |
| NEW X2M591REDDE | | 30.0 | 200 | 6 | 15 | 2500/700 | 1" BSPP | 1" BSPP | 150.2 | 63.2 | 120.2 |
| NEW X2M611REDDE | | 34.2 | 190 | 6 | 15 | 2500/700 | 1" BSPP | 1" BSPP | 157.2 | 66.7 | 127.2 |
| NEW X2M631REDDE | | 39.6 | 180 | 6 | 15 | 2000/700 | 1" BSPP | 1" BSPP | 166.2 | 71.2 | 136.2 |

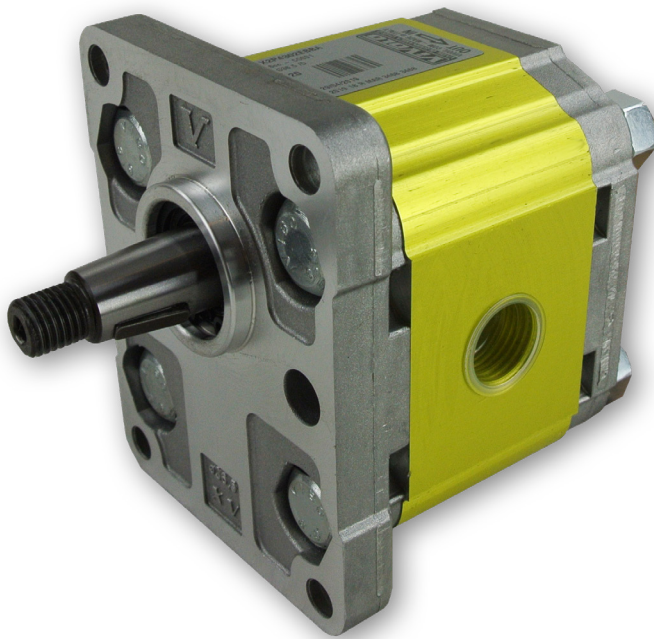


Group 2 Motor DIN Mount, 1:8 Tapered Shaft

| Part # | List Price \$ | CC | Max Pressure (bar) | | Min Start Pressure (bar) | Max/Min Speed (RPM) | Port S | Port P | Dimension (mm) | | |
|-------------|---------------|------|--------------------|-------|--------------------------|---------------------|-----------|-----------|----------------|------|-------|
| | | | Inlet | Drain | | | | | A | B | C |
| X2M4101EBBE | | 4.2 | 300 | 6 | 30 | 3500/700 | 1/2" BSPP | 1/2" BSPP | 87.2 | 41.7 | 77.2 |
| X2M4301EBBE | | 6.0 | 300 | 6 | 25 | 3500/700 | 1/2" BSPP | 1/2" BSPP | 90.2 | 43.2 | 80.2 |
| X2M4501EBBE | | 8.4 | 300 | 6 | 20 | 3500/700 | 1/2" BSPP | 1/2" BSPP | 94.2 | 45.2 | 84.2 |
| X2M4701EBBE | | 10.8 | 300 | 6 | 20 | 3500/700 | 1/2" BSPP | 1/2" BSPP | 98.2 | 47.2 | 88.2 |
| X2M4901ECCE | | 14.4 | 290 | 6 | 15 | 3500/700 | 3/4" BSPP | 3/4" BSPP | 104.2 | 50.2 | 94.2 |
| X2M5101ECCE | | 16.8 | 270 | 6 | 15 | 3500/700 | 3/4" BSPP | 3/4" BSPP | 108.2 | 52.2 | 98.2 |
| X2M5301ECCE | | 19.2 | 250 | 6 | 15 | 3000/700 | 3/4" BSPP | 3/4" BSPP | 112.2 | 54.2 | 102.2 |
| X2M5501ECCE | | 22.8 | 240 | 6 | 15 | 3000/700 | 3/4" BSPP | 3/4" BSPP | 118.2 | 57.2 | 108.2 |
| X2M5701EDDE | | 26.2 | 210 | 6 | 15 | 3000/700 | 1" BSPP | 1" BSPP | 122.2 | 59.2 | 112.2 |
| X2M5901EDDE | | 30.0 | 200 | 6 | 15 | 2500/700 | 1" BSPP | 1" BSPP | 130.2 | 63.2 | 120.2 |
| X2M6101EDDE | | 34.2 | 190 | 6 | 15 | 2500/700 | 1" BSPP | 1" BSPP | 137.2 | 66.7 | 127.2 |
| X2M6301EDDE | | 39.6 | 180 | 6 | 15 | 2000/700 | 1" BSPP | 1" BSPP | 146.2 | 71.2 | 136.2 |

Group 2 Motor Seal Kit

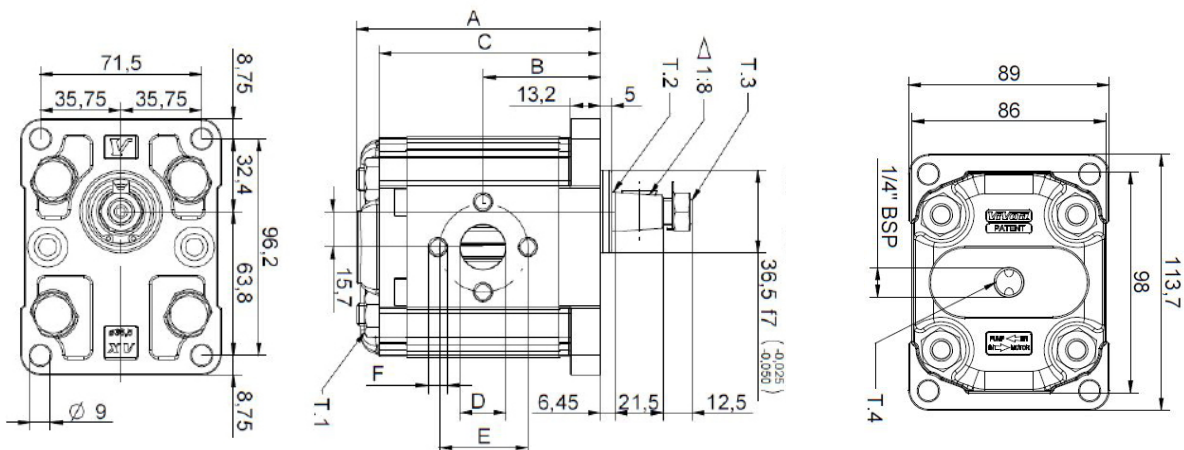
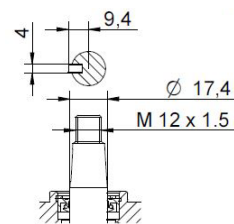
| Part # | List Price \$ | Material |
|-----------|---------------|----------|
| 8KGX2M1.A | | NBR |
| 8KGX2M1.V | | Viton |



Anti-cavitation check valve available

Rear port with drain available

SAE A-2 bolt available keyed or spline shaft



ORDER CODES FOR VIVOIL GROUP 3 MOTORS

| Series | Group | Motor | Displacement | Flange | Shaft | Inlet Port | Outlet Port | Rear Cover |
|--------|-------|-------|--------------|--------|-------|------------|-------------|------------|
| X | 3 | M | 66 | 32 | I | D | D | E |

| DISPLACEMENT | |
|--------------|----|
| 14.89cc | 66 |
| 17.37cc | 68 |
| 21.10cc | 70 |
| 26.97cc | 72 |
| 32.27cc | 74 |
| 38.47cc | 78 |
| 43.44cc | 79 |
| 47.16cc | 80 |
| 50.88cc | 81 |
| 54.60cc | 82 |
| 60.81cc | 83 |
| 64.53cc | 85 |
| 70.74cc | 86 |
| 74.46cc | 87 |
| 86.87cc | 89 |

| SHAFT | | |
|--|---|---|
| <p>CO001 - Tapered</p> <p>T.2 = 482 [Nm]</p> <p>Tapered 1:8 Ø 22mm M14x1.5 - Key 4mm</p> | A | |
| <p>CI004 - Parallel</p> <p>T.2 = 180 [Nm]</p> <p>Parallel Ø 7/8" - Key 6.35mm</p> | | H |
| <p>SCF04 - Splined</p> <p>T.2 = 264 [Nm]</p> <p>Splined 7/8" 13t</p> | | |

| PORTS | INLET | OUTLET |
|-----------------|-------|--------|
| 14.9cc | D | D |
| 17.4cc | D | D |
| 21.1cc | D | D |
| 27.0cc | E | E |
| 32.3cc | E | E |
| 38.5cc | E | E |
| 43.4cc | E | E |
| 47.2cc | E | E |
| 50.9cc | E | E |
| 54.6cc | E | E |
| 60.8cc | E | E |
| 64.5cc | E | E |
| 70.7cc | F | F |
| 74.5cc | F | F |
| 86.9cc | F | F |
| D = 3/4" BSPP | | |
| E = 1" BSPP | | |
| F = 1.1/4" BSPP | | |

| FLANGE | |
|--------------------|----|
| <p>DIN Group 3</p> | 01 |
| <p>SAE-B</p> | 31 |

| REAR COVER | |
|-----------------------------------|---|
| <p>EXTERNAL DRAIN REAR PORTED</p> | E |
| <p>EXTERNAL DRAIN REAR PORTED</p> | |

Please note:
Additional costs apply for non-standard options

Group 3 Motor DIN Mount, 1:8 Tapered Shaft

| Part # | List Price \$ | CC | Max Pressure (bar) | | Min Start Pressure | Max/Min Speed (RPM) | Port S | Port P | Dimension (mm) | |
|-------------|---------------|-------|--------------------|-------|--------------------|---------------------|-------------|-------------|----------------|------|
| | | | Inlet | Drain | | | | | A | B |
| X3M6601ADDE | | 14.89 | 320 | 6 | 20 | 3000/700 | 3/4" BSPP | 3/4" BSPP | 124.0 | 61.0 |
| X3M6801ADDE | | 17.37 | 320 | 6 | 20 | 3000/700 | 3/4" BSPP | 3/4" BSPP | 126.0 | 62.0 |
| X3M7001ADDE | | 21.10 | 300 | 6 | 15 | 3000/700 | 3/4" BSPP | 3/4" BSPP | 129.0 | 63.5 |
| X3M7201AEFE | | 26.97 | 270 | 6 | 10 | 3000/700 | 3/4" BSPP | 3/4" BSPP | 133.0 | 65.5 |
| X3M7401AEFE | | 32.27 | 270 | 6 | 10 | 3000/700 | 1" BSPP | 1" BSPP | 138.0 | 68.0 |
| X3M7801AEFE | | 38.47 | 270 | 6 | 10 | 2800/700 | 1" BSPP | 1" BSPP | 143.0 | 70.5 |
| X3M7901AEFE | | 43.44 | 250 | 6 | 10 | 2800/700 | 1" BSPP | 1" BSPP | 147.0 | 72.5 |
| X3M8001AEFE | | 47.16 | 250 | 6 | 10 | 2800/700 | 1" BSPP | 1" BSPP | 150.0 | 74.0 |
| X3M8101AEFE | | 50.88 | 250 | 6 | 10 | 2800/700 | 1" BSPP | 1" BSPP | 153.0 | 75.5 |
| X3M8201AEFE | | 54.60 | 250 | 6 | 10 | 2300/700 | 1" BSPP | 1" BSPP | 156.0 | 77.0 |
| X3M8301AFFE | | 60.81 | 220 | 6 | 10 | 2300/700 | 1.1/4" BSPP | 1.1/4" BSPP | 161.0 | 79.5 |
| X3M8501AFFE | | 64.53 | 220 | 6 | 10 | 2300/700 | 1.1/4" BSPP | 1.1/4" BSPP | 164.0 | 81.0 |
| X3M8601AFFE | | 70.74 | 210 | 6 | 10 | 2300/700 | 1.1/4" BSPP | 1.1/4" BSPP | 169.0 | 83.5 |
| X3M8701AFFE | | 74.46 | 190 | 6 | 10 | 2300/700 | 1.1/4" BSPP | 1.1/4" BSPP | 172.0 | 85.0 |
| X3M8901AFFE | | 86.87 | 160 | 6 | 10 | 2300/700 | 1.1/4" BSPP | 1.1/4" BSPP | 182.0 | 90.0 |

Group 3 Motor Seal Kit

| Part # | List Price \$ | Material |
|-----------|---------------|----------|
| 8KGX3M1.A | | NBR |
| 8KGX3M1.V | | Viton |

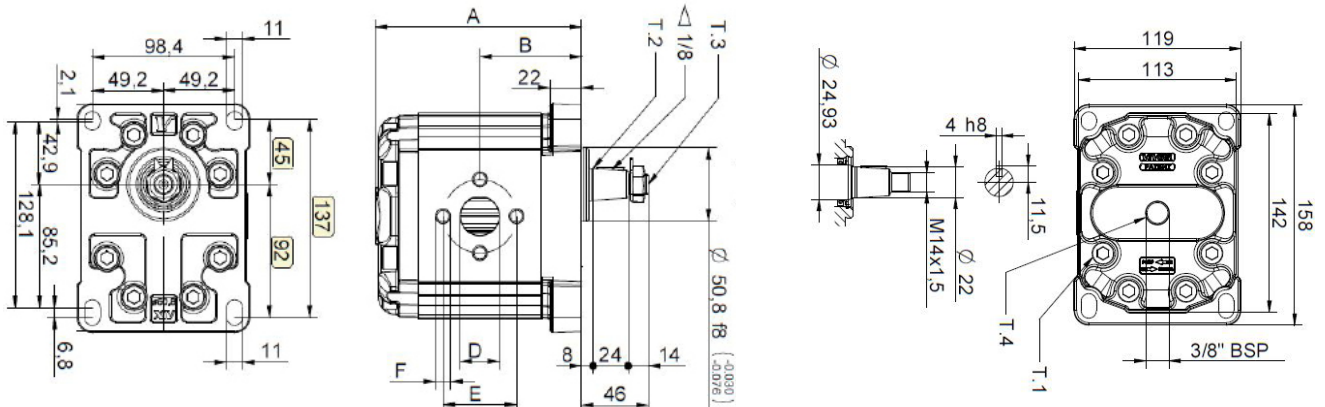
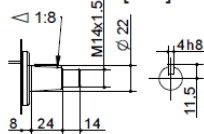


SAE A-2 bolt available, keyed or spline shaft

Rear-port with drain available

CO001 - Tapered

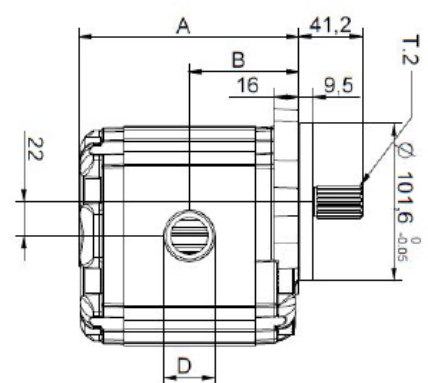
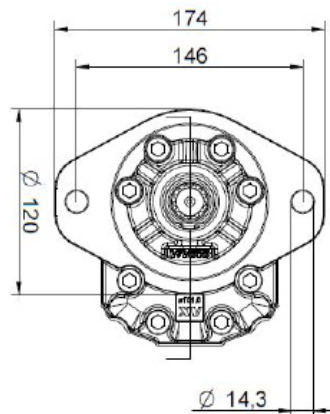
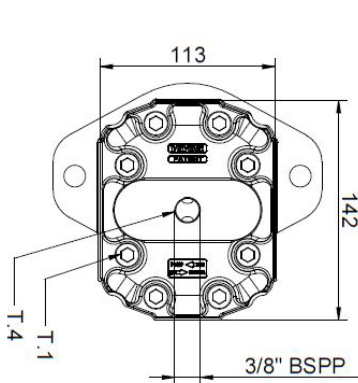
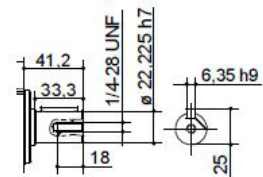
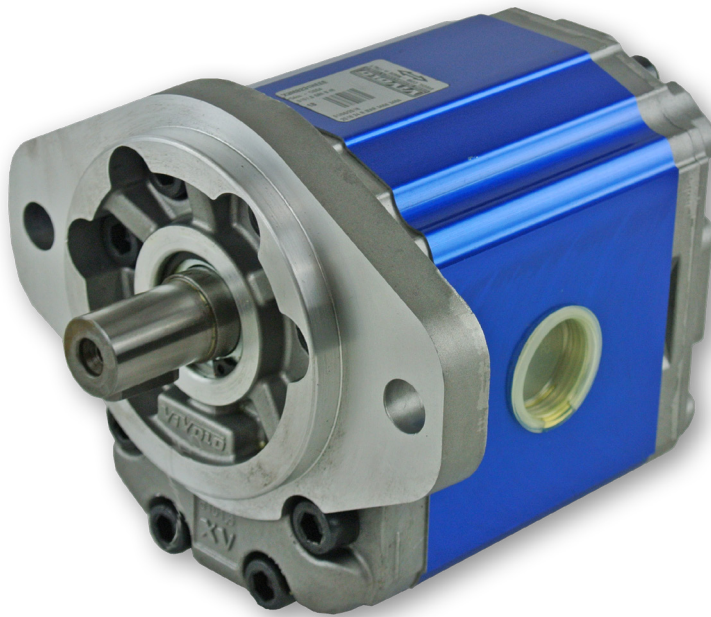
T.2 = 482 [Nm]



Group 3 Motor SAE B Mount, 7/8" Keyed Shaft

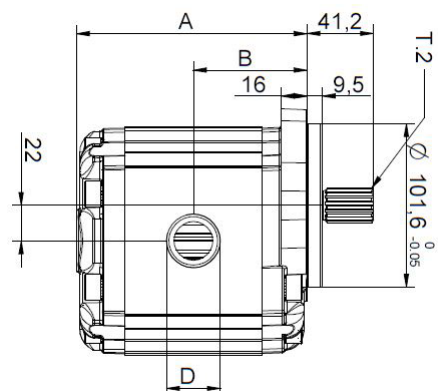
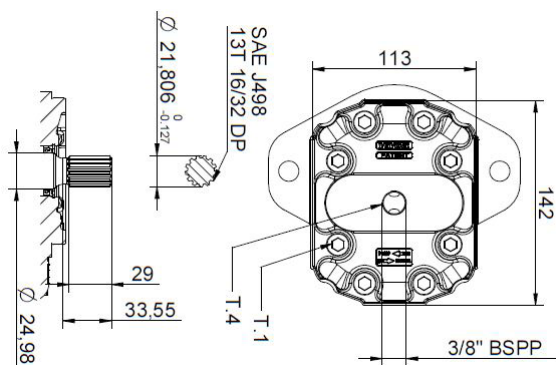
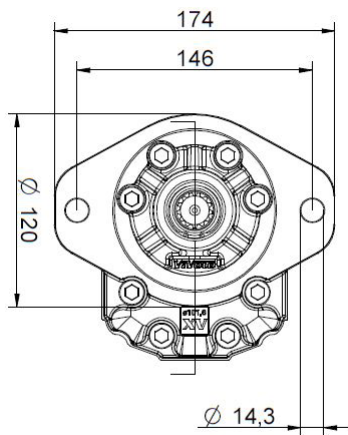


| Part # | List Price \$ | CC | Max Pressure (bar) | | Min Start Pressure | Max/Min Speed (RPM) | Port S | Port P | Dimension (mm) | |
|-------------|---------------|-------|--------------------|-------|--------------------|---------------------|-------------|-------------|----------------|------|
| | | | Inlet | Drain | | | | | A | B |
| X3M7031HDDE | | 21.10 | 300 | 6 | 15 | 3000/700 | 3/4" BSPP | 3/4" BSPP | 129.0 | 63.5 |
| X3M7231HEEE | | 26.97 | 270 | 6 | 10 | 3000/700 | 1" BSPP | 1" BSPP | 133.0 | 65.5 |
| X3M7431HEEE | | 32.27 | 270 | 6 | 10 | 3000/700 | 1" BSPP | 1" BSPP | 138.0 | 68.0 |
| X3M7831HEEE | | 38.47 | 250 | 6 | 10 | 2800/700 | 1" BSPP | 1" BSPP | 143.0 | 70.5 |
| X3M7931HEEE | | 43.44 | 221 | 6 | 10 | 2800/700 | 1" BSPP | 1" BSPP | 147.0 | 72.5 |
| X3M8031HEEE | | 47.16 | 204 | 6 | 10 | 2800/700 | 1" BSPP | 1" BSPP | 150.0 | 74.0 |
| X3M8131HEEE | | 50.88 | 189 | 6 | 10 | 2800/700 | 1" BSPP | 1" BSPP | 153.0 | 75.5 |
| X3M8231HEEE | | 54.60 | 176 | 6 | 10 | 2300/700 | 1" BSPP | 1" BSPP | 156.0 | 77.0 |
| X3M8331HFFE | | 60.81 | 158 | 6 | 10 | 2300/700 | 1.1/4" BSPP | 1.1/4" BSPP | 161.0 | 79.5 |
| X3M8631HFFE | | 70.74 | 136 | 6 | 10 | 2300/700 | 1.1/4" BSPP | 1.1/4" BSPP | 169.0 | 83.5 |
| X3M8731HFFE | | 74.46 | 129 | 6 | 10 | 2300/700 | 1.1/4" BSPP | 1.1/4" BSPP | 172.0 | 85.0 |
| X3M8931HFFE | | 86.87 | 111 | 6 | 10 | 2300/700 | 1.1/4" BSPP | 1.1/4" BSPP | 182.0 | 90.0 |



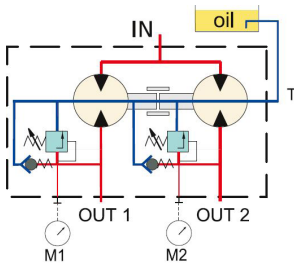
Group 3 Motor SAE B Mount, 7/8" 13 Tooth Splined Shaft

| Part # | List Price \$ | CC | Max Pressure (bar) | | Min Start Pressure | Max/Min Speed (RPM) | Port S | Port P | Dimension (mm) | |
|-------------|---------------|-------|--------------------|-------|--------------------|---------------------|-------------|-------------|----------------|------|
| | | | Inlet | Drain | | | | | A | B |
| X3M6631IDDE | | 14.89 | 320 | 6 | 20 | 3000/700 | 3/4" BSPP | 3/4" BSPP | 124.0 | 61.0 |
| X3M7031IDDE | | 21.10 | 300 | 6 | 15 | 3000/700 | 3/4" BSPP | 3/4" BSPP | 129.0 | 63.5 |
| X3M7231IEEE | | 26.97 | 270 | 6 | 10 | 3000/700 | 3/4" BSPP | 3/4" BSPP | 133.0 | 65.5 |
| X3M7431IEEE | | 32.27 | 270 | 6 | 10 | 3000/700 | 1" BSPP | 1" BSPP | 138.0 | 68.0 |
| X3M7831IEEE | | 38.47 | 270 | 6 | 10 | 2800/700 | 1" BSPP | 1" BSPP | 143.0 | 70.5 |
| X3M7931IEEE | | 43.44 | 250 | 6 | 10 | 2800/700 | 1" BSPP | 1" BSPP | 147.0 | 72.5 |
| X3M8031IEEE | | 47.16 | 250 | 6 | 10 | 2800/700 | 1" BSPP | 1" BSPP | 150.0 | 74.0 |
| X3M8131IEEE | | 50.88 | 250 | 6 | 10 | 2800/700 | 1" BSPP | 1" BSPP | 153.0 | 75.5 |
| X3M8231IEEE | | 54.60 | 250 | 6 | 10 | 2300/700 | 1" BSPP | 1" BSPP | 156.0 | 77.0 |
| X3M8331IFFE | | 60.81 | 232 | 6 | 10 | 2300/700 | 1.1/4" BSPP | 1.1/4" BSPP | 161.0 | 79.5 |
| X3M8531IFFE | | 64.53 | 218 | 6 | 10 | 2300/700 | 1.1/4" BSPP | 1.1/4" BSPP | 164.0 | 81.0 |
| X3M8631IFFE | | 70.74 | 199 | 6 | 10 | 2300/700 | 1.1/4" BSPP | 1.1/4" BSPP | 169.0 | 83.5 |
| X3M8731IFFE | | 74.46 | 189 | 6 | 10 | 2300/700 | 1.1/4" BSPP | 1.1/4" BSPP | 172.0 | 85.0 |
| X3M8931IFFE | | 86.87 | 160 | 6 | 10 | 2300/700 | 1.1/4" BSPP | 1.1/4" BSPP | 182.0 | 90.0 |



2-Way Rotary Gear Flow Dividers, Differential Relief

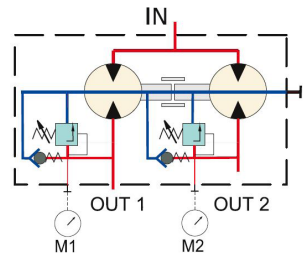
| Part # | List Price \$ | Displacement per Section | Body Size | Max Pressure (bar) | Inlet Flow Ratings (lpm) | | | Port Size (BSPP) | | Relief Range (bar) |
|----------|---------------|--------------------------|-----------|--------------------|--------------------------|-------------|-------|------------------|------|--------------------|
| | | | | | Min | Recommended | Max | In | Out | |
| 9RV02B04 | | 0.45 | Group 0 | 210 | 1.2 | 2.4 | 6.0 | 1/4" | 1/4" | 35-175 |
| 9RV02B06 | | 0.76 | Group 0 | 210 | 2.0 | 4.0 | 9.6 | 1/4" | 1/4" | 35-175 |
| 9RV02B09 | | 1.27 | Group 0 | 210 | 3.0 | 6.0 | 14.4 | 1/4" | 1/4" | 35-175 |
| 9RV02A18 | | 1.70 | Group 1 | 220 | 4.0 | 8.0 | 18.0 | 1/2" | 3/8" | 7-210 |
| 9RV02A23 | | 3.20 | Group 1 | 220 | 7.0 | 15.0 | 36.0 | 1/2" | 3/8" | 7-210 |
| 9RV02A32 | | 6.50 | Group 1 | 220 | 13.0 | 26.0 | 60.0 | 1/2" | 3/8" | 7-210 |
| 9RV02B45 | | 8.40 | Group 2 | 210 | 21.6 | 30.2 | 45.0 | 3/4" | 1/2" | 70-210 |
| 9RV02B47 | | 10.80 | Group 2 | 210 | 26.4 | 38.8 | 55.0 | 3/4" | 1/2" | 70-210 |
| 9RV02B51 | | 16.80 | Group 2 | 200 | 40.8 | 60.4 | 85.0 | 3/4" | 1/2" | 70-210 |
| 9RV02B55 | | 22.80 | Group 2 | 180 | 52.8 | 82.0 | 110.0 | 3/4" | 1/2" | 70-210 |
| 9RV02B59 | | 30.00 | Group 2 | 160 | 72.0 | 108.0 | 150.0 | 1" | 3/4" | 70-210 |
| 9RV02B63 | | 39.60 | Group 2 | 130 | 96.0 | 142.6 | 200.0 | 1" | 3/4" | 70-210 |
| 9RV02B70 | | 21.00 | Group 3 | 280 | 50.0 | 76.0 | 105.0 | 1" | 1/2" | 70-210 |
| 9RV02B78 | | 38.00 | Group 3 | 250 | 82.0 | 120.0 | 182.0 | 1" | 3/4" | 70-210 |
| 9RV02B81 | | 51.00 | Group 3 | 230 | 102.0 | 153.0 | 234.0 | 1.1/4" | 1" | 70-210 |
| 9RV02B85 | | 64.00 | Group 3 | 210 | 114.0 | 166.0 | 256.0 | 1.1/4" | 1" | 70-210 |



EXTERNAL DRAIN (Standard Setup)

For the correct functioning of the flow divider, it has to be installed under the oil level.

The drain tube has to pick up under the oil level and it has not to aspire air.

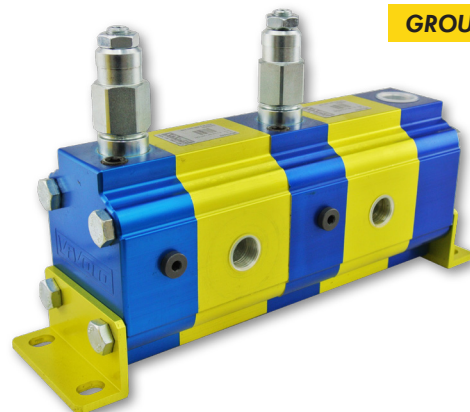


INTERNAL DRAIN (Standard Setup)

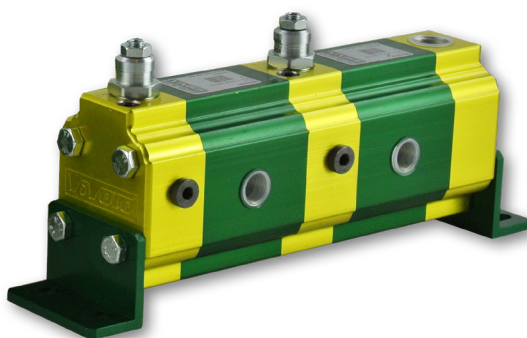
Note that with this configuration the function of anti-cavitation valves is annulled.



GROUP 0



GROUP 2



GROUP 1

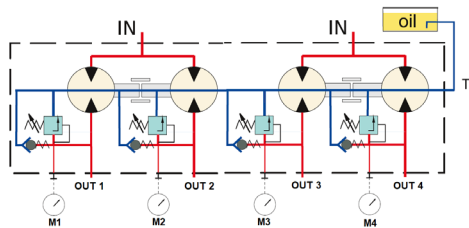


GROUP 3

4-Way Rotary Gear Flow Dividers, Differential Relief



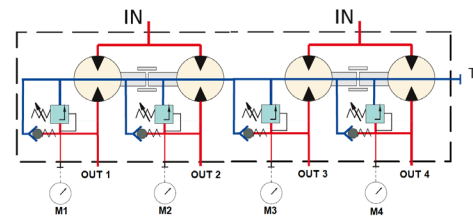
| Part # | List Price \$ | Displacement per Section | Body Size | Max Pressure (bar) | Inlet Flow Ratings (lpm) | | | Port Size (BSPP) | | Relief Range (bar) |
|----------|---------------|--------------------------|-----------|--------------------|--------------------------|-------------|-------|------------------|------|--------------------|
| | | | | | Min | Recommended | Max | In | Out | |
| 9RV04B04 | | 0.45 | Group 0 | 210 | 2.4 | 4.8 | 12.0 | 1/4" | 1/4" | 35-175 |
| 9RV04B06 | | 0.76 | Group 0 | 210 | 4.0 | 8.0 | 19.2 | 1/4" | 1/4" | 35-175 |
| 9RV04B09 | | 1.27 | Group 0 | 210 | 6.0 | 12.0 | 28.8 | 1/4" | 1/4" | 35-175 |
| 9RV04A18 | | 1.70 | Group 1 | 220 | 8.0 | 16.0 | 36.0 | 1/2" | 3/8" | 7-210 |
| 9RV04A23 | | 3.20 | Group 1 | 220 | 14.0 | 30.0 | 72.0 | 1/2" | 3/8" | 7-210 |
| 9RV04A32 | | 6.50 | Group 1 | 220 | 26.0 | 52.0 | 120.0 | 1/2" | 3/8" | 7-210 |
| 9RV04B45 | | 8.40 | Group 2 | 210 | 43.2 | 60.4 | 90.0 | 3/4" | 1/2" | 70-210 |
| 9RV04B47 | | 10.80 | Group 2 | 210 | 52.8 | 77.6 | 110.0 | 3/4" | 1/2" | 70-210 |
| 9RV04B51 | | 16.80 | Group 2 | 200 | 81.6 | 120.8 | 170.0 | 3/4" | 1/2" | 70-210 |
| 9RV04B55 | | 22.80 | Group 2 | 180 | 105.6 | 164.0 | 220.0 | 3/4" | 1/2" | 70-210 |
| 9RV04B59 | | 30.00 | Group 2 | 160 | 144.0 | 216.0 | 300.0 | 1" | 3/4" | 70-210 |
| 9RV04B63 | | 39.60 | Group 2 | 130 | 192.0 | 285.2 | 400.0 | 1" | 3/4" | 70-210 |
| 9RV04B70 | | 21.00 | Group 3 | 280 | 100.0 | 152.0 | 210.0 | 1" | 1/2" | 70-210 |
| 9RV04B78 | | 38.00 | Group 3 | 250 | 164.0 | 240.0 | 364.0 | 1" | 1/2" | 70-210 |
| 9RV04B81 | | 51.00 | Group 3 | 230 | 204.0 | 306.0 | 468.0 | 1.1/4" | 1" | 70-210 |
| 9RV04B85 | | 64.00 | Group 3 | 210 | 228.0 | 332.0 | 512.0 | 1.1/4" | 1" | 70-210 |



EXTERNAL DRAIN (Standard Setup)

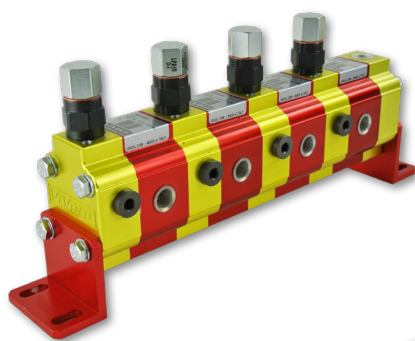
For the correct functioning of the flow divider, it has to be installed **under** the oil level.

The drain tube has to pick up **under** the oil level and it has not to aspire air.

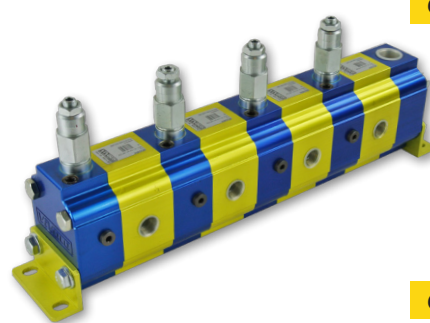


INTERNAL DRAIN (Standard Setup)

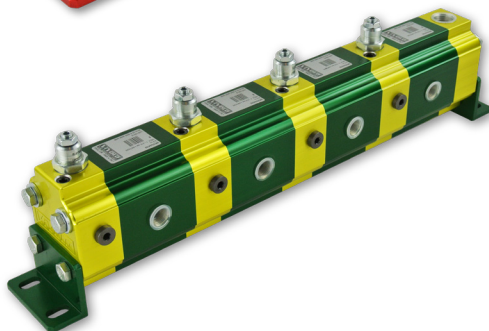
Note that with this configuration the function of anti-cavitation valves is **annulled**.



GROUP 0



GROUP 2



GROUP 1

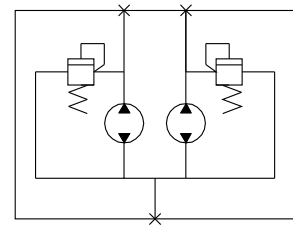
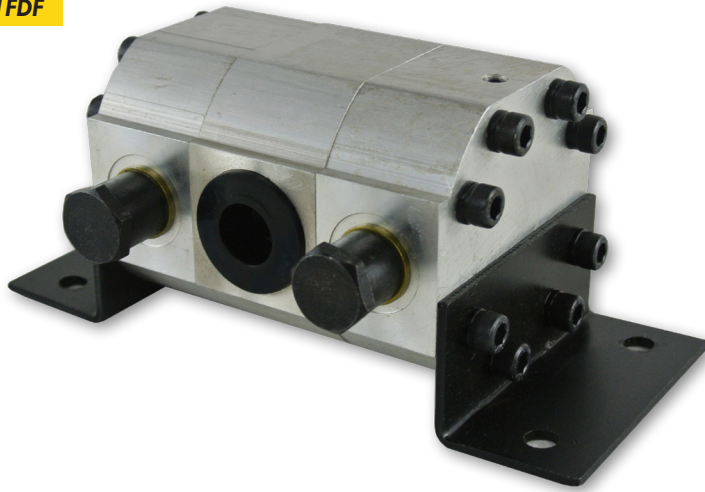


GROUP 3

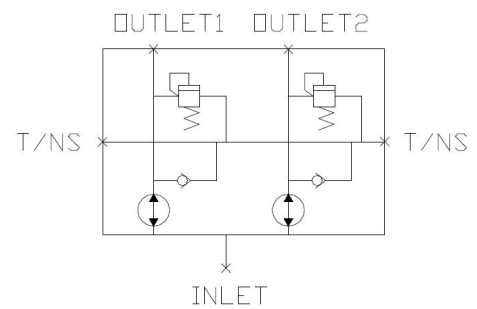
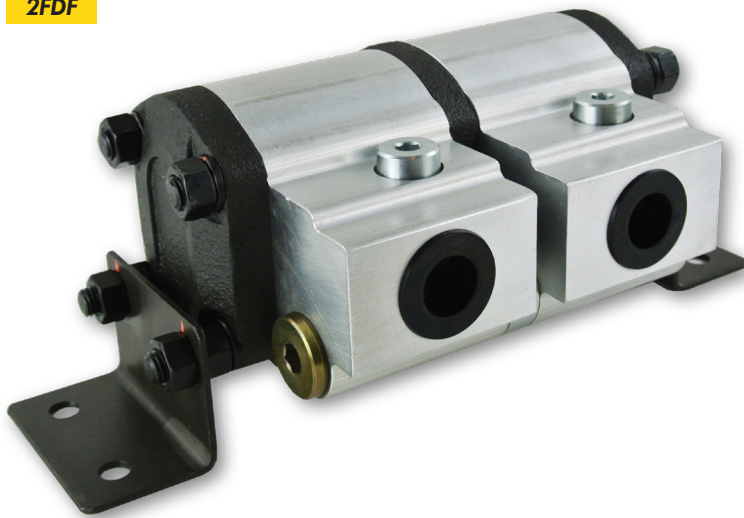
2-Way Rotary Gear Flow Dividers, Differential Relief

| Part # | List Price \$ | Maximum Pressure (bar) | | Inlet Flow Ratings (lpm) | | Port Size (BSPP) | | Pressure Drop (bar) |
|-----------------|---------------|------------------------|--------------|--------------------------|------|------------------|------|---------------------|
| | | Continuous | Differential | Min | Max | In | Out | |
| 1FDF-1.6-L05-2 | | 240 | 124 | 6.0 | 10.2 | 1/2" | 3/8" | 16-19 |
| 1FDF-3.18-L08-2 | | 240 | 124 | 12.8 | 21.1 | 3/4" | 1/2" | 16-19 |
| 1FDF-5.29-L08-2 | | 240 | 124 | 22.8 | 36.3 | 3/4" | 1/2" | 16-19 |
| 1FDF-8.42-L08-2 | | 240 | 124 | 34.0 | 54.5 | 3/4" | 1/2" | 16-19 |
| 2FDF-14-L08-2 | | 220 | 200 | 14.0 | 54.4 | 3/4" | 1/2" | 11-14 |
| 2FDF-25-L03-2 | | 220 | 200 | 24.0 | 84.8 | 1" | 3/4" | 11-14 |

1FDF



2FDF

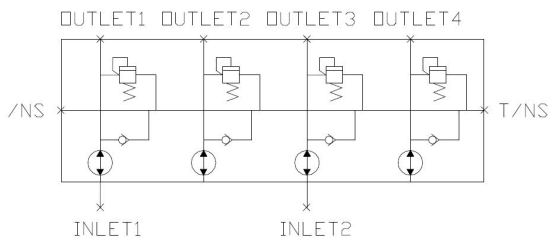
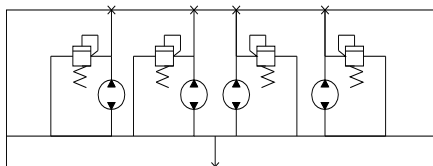


Differential relief valves
standard set 750psi

4-Way Rotary Gear Flow Dividers, Differential Relief

| Part # | List Price \$ | Maximum Pressure (bar) | | Inlet Flow Ratings (lpm) | | Port Size (BSPP) | | Pressure Drop (bar) |
|-----------------|---------------|------------------------|--------------|--------------------------|-------|------------------|------|---------------------|
| | | Continuous | Differential | Min | Max | In | Out | |
| 1FDF-1.6-L05-4 | | 240 | 124 | 12.3 | 20.4 | 1/2" | 3/8" | 16-19 |
| 1FDF-3.18-L08-4 | | 240 | 124 | 25.6 | 42.2 | 3/4" | 1/2" | 16-19 |
| 1FDF-5.29-L08-4 | | 240 | 124 | 45.6 | 72.6 | 3/4" | 1/2" | 16-19 |
| 1FDF-8.42-L08-4 | | 240 | 124 | 68.0 | 109.0 | 1" | 1/2" | 16-19 |
| 2FDF-14-L08-4 | | 220 | 200 | 33.6 | 108.8 | 1" | 3/4" | 11-14 |
| 2FDF-25-L03-4 | | 220 | 200 | 48.0 | 169.6 | 1.1/2" | 1" | 11-14 |

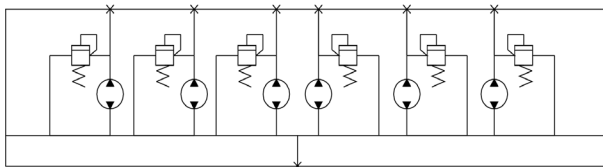
1FDF



2FDF

6-Way Rotary Gear Flow Dividers, Differential Relief

| Part # | List Price \$ | Maximum Pressure (bar) | | Inlet Flow Ratings (lpm) | | Port Size (BSPP) | | Pressure Drop (bar) |
|----------------|---------------|------------------------|--------------|--------------------------|------|------------------|------|---------------------|
| | | Continuous | Differential | Min | Max | In | Out | |
| 1FDF-2.0-L05-6 | | 240 | 124 | 38.4 | 63.3 | 1/2" | 3/8" | 16-19 |



Hydraulics Network

MELBOURNE

VICTORIA

- 📍 23 Quinlan Road, Epping, VIC 3076
- ✉️ sales@hydraulicsnetwork.com.au
- ☎️ 03 9399 8957

BRISBANE

QUEENSLAND

- 📍 29 Annie Street, Coopers Plains, QLD 4108
- ✉️ salesqld@hydraulicsnetwork.com.au
- ☎️ 07 3277 5969

www.hydraulicsnetwork.com.au

AUSTRALIAN-OWNED
INDEPENDENT HYDRAULICS WHOLESALER