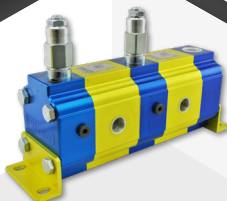
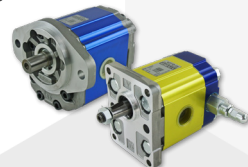


Hydraulics Network

CATALOGUE **2026**

GEAR PUMPS, GEAR MOTORS &
FLOW DIVIDERS



MiMOTION

TECH DATA

Group 0 Pump DIN Mount, M7x1 Keyed Shaft

CW (standard) or CCW rotation available | Group 0-3 tandem pump available

Part #	CC	Maximum Pressure (bar)		Max/Min Speed (RPM)	Port S	Port P	Dimension (mm)		
		Working	Peak				A	B	C
XOP0102ABBA	0.16	220	260	9000/700	1/4" BSPP	1/4" BSPP	55.8	26.2	46.8
XOP0202ABBA	0.24	220	260	9000/700	1/4" BSPP	1/4" BSPP	56.4	26.5	47.4
XOP0402ABBA	0.45	220	237	9000/700	1/4" BSPP	1/4" BSPP	58	27.3	49
XOP0502ABBA	0.56	191	191	9000/700	1/4" BSPP	1/4" BSPP	59	27.8	50
XOP0602ABBA	0.75	142	142	9000/700	1/4" BSPP	1/4" BSPP	60.5	28.5	51.5
XOP0702ABBA	0.92	116	116	6000/700	1/4" BSPP	1/4" BSPP	62	29.3	53
XOP0902ABBA	1.26	85	85	6000/700	1/4" BSPP	1/4" BSPP	64.5	30.5	55.5
XOP1102ABBA	1.48	72	72	6000/700	1/4" BSPP	1/4" BSPP	66.5	31.5	57.5
XOP1302ABBA	2.28	47	47	5000/700	1/4" BSPP	1/4" BSPP	72.5	34.5	63.5

🔧 For left rotation (CCW counter-clockwise) pumps, replace the 02 in the part number with 01, e.g. XOP1302ABBA becomes XOP1301ABBA

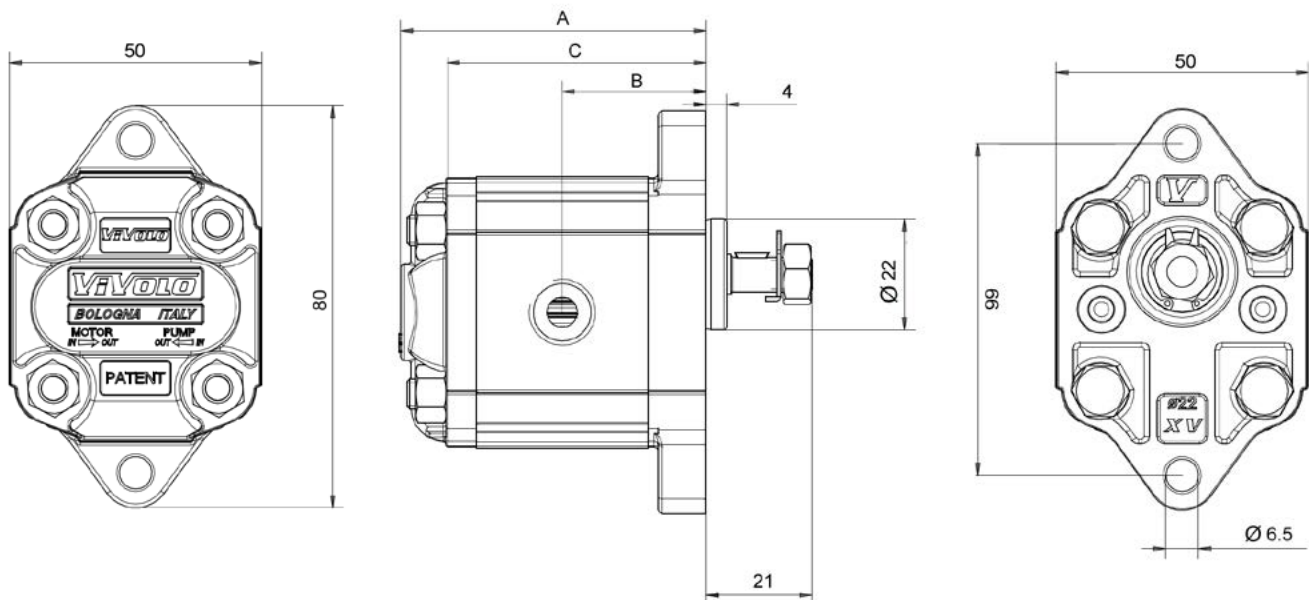
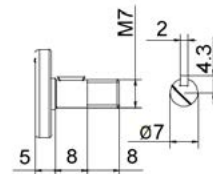


Group 0 Pump Seal Kit

Part #	Material
8KGXOP1.A	NBR



MADE IN EUROPE



SERIES	GROUP	PUMP	DISP.	FLANGE	SHAFT	INLET	OUTLET	REAR COVER
X	1	P	27	01	F	B	B	A

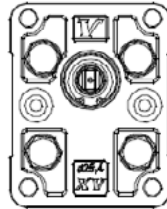
DISPLACEMENT	
16	0.91cc
17	1.17cc
18	1.56cc
20	2.08cc
21	2.60cc
23	3.12cc
25	3.64cc
27	4.16cc
29	4.94cc
31	5.85cc
32	6.50cc
34	7.54cc
36	9.88cc

PORTS		
INLET	OUTLET	
B	B	0.91cc
B	B	1.17cc
B	B	1.56cc
B	B	2.08cc
B	B	2.60cc
C	B	3.12cc
C	B	3.64cc
C	B	4.16cc
C	B	4.94cc
C	B	5.85cc
C	B	6.50cc
C	B	7.54cc
C	B	9.88cc
Z	Z	No Ports

B: 3/8" BSPP, C: 1/2" BSPP

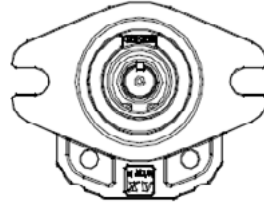
FLANGE	
LEFT ROTATION	RIGHT ROTATION
01	02

DIN Group 1

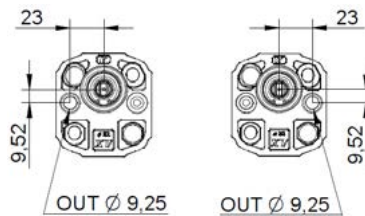


61	62
-----------	-----------

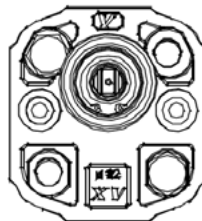
SAE-AA



43	44
-----------	-----------



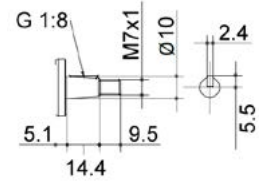
41	42
-----------	-----------



Additional costs apply for non-standard options

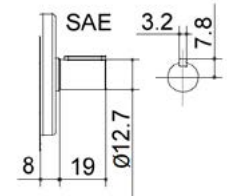
SHAFT	
F	

Tapered
1:8 Ø 10mm
M7x1
Key 2.4mm
Shaft Torque
43Nm



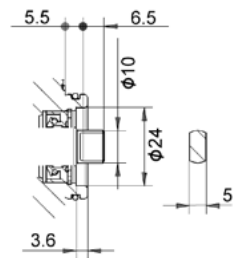
B	
----------	--

Parallel
Ø 1/2"
Key 3.2mm
Shaft Torque
32.8Nm



D	
----------	--

Tang Drive
Milled Shank
10mm
Shaft Torque
13.8Nm

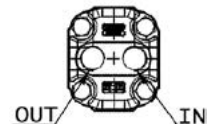


REAR COVER	
A	



D	
----------	--

* Must be assembled with scalloped housing



N-11	
-------------	--

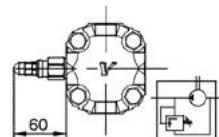
10-105 bar

N-12	
-------------	--

70-210 bar

N-13	
-------------	--

140-350 bar



**TECH
DATA**

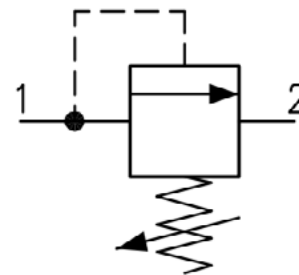
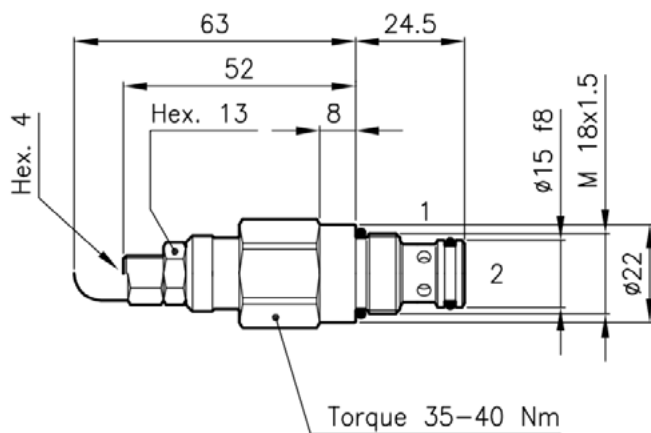
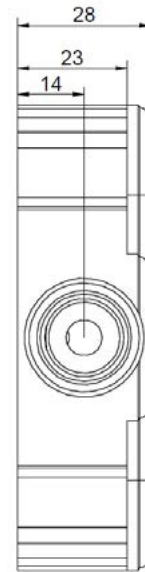
Group 1 Pump Rear Cover with Integrated Relief Valve

Pricing for this item is in addition to standard pump price

Part #	Maximum Flow Rate	Relief Range	Relief Preset
N-11	50 L/min	10-105 bar	70 bar
N-12	50 L/min	70-210 bar	140 bar
N-13	50 L/min	140-350 bar	280 bar



MADE IN EUROPE



**TECH
DATA**

Group 1 Pump DIN Mount, 1:8 Tapered Shaft

CW (standard) or CCW rotation available | Relief valves & tandem pumps available

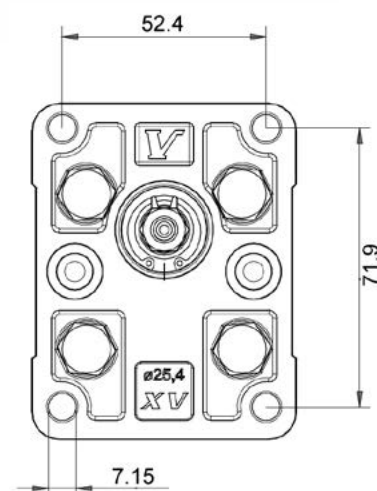
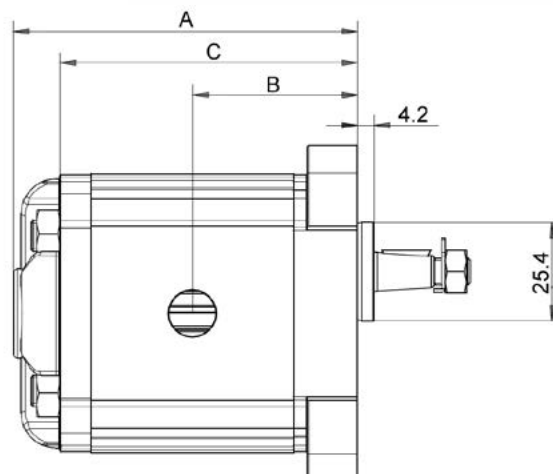
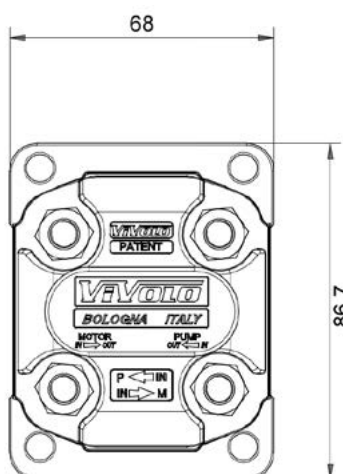
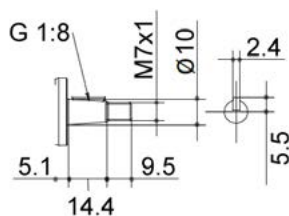
Part #	CC	Maximum Pressure (bar)		Max/Min Speed (RPM)	Port S	Port P	Dimension (mm)		
		Working	Peak				A	B	C
X1P1602FBBA	0.91	240	280	6000/700	3/8" BSPP	3/8" BSPP	78.1	37.3	66.1
X1P1702FBBA	1.17	250	290	6000/700	3/8" BSPP	3/8" BSPP	79.0	37.8	67.0
X1P1802FBBA	1.56	250	290	6000/700	3/8" BSPP	3/8" BSPP	80.5	38.5	68.5
X1P2002FBBA	2.08	250	290	6000/700	3/8" BSPP	3/8" BSPP	82.5	39.5	70.5
X1P2102FBBA	2.60	250	300	6000/700	3/8" BSPP	3/8" BSPP	84.5	40.5	72.5
X1P2302FCBA	3.12	250	300	6000/700	1/2" BSPP	3/8" BSPP	86.5	41.5	74.5
X1P2502FCBA	3.64	250	300	6000/700	1/2" BSPP	3/8" BSPP	88.5	42.5	76.5
X1P2702FCBA	4.16	250	300	6000/700	1/2" BSPP	3/8" BSPP	90.5	43.5	78.5
X1P2902FCBA	4.94	250	300	6000/700	1/2" BSPP	3/8" BSPP	93.5	45.0	81.5
X1P3102FCBA	5.85	250	300	5000/700	1/2" BSPP	3/8" BSPP	97.0	46.8	85.0
X1P3202FCBA	6.50	250	300	5000/700	1/2" BSPP	3/8" BSPP	98.5	48.0	86.5
X1P3402FCBA	7.54	220	260	5000/700	1/2" BSPP	3/8" BSPP	103.5	50.0	91.5
X1P3602FCBA	9.88	190	230	4000/700	1/2" BSPP	3/8" BSPP	112.5	54.5	100.5

Group 1 Pump Seal Kit

Part #	Material
8KGX1P1.A	NBR
8KGX1P1.V	Viton



MADE IN EUROPE



TECH DATA

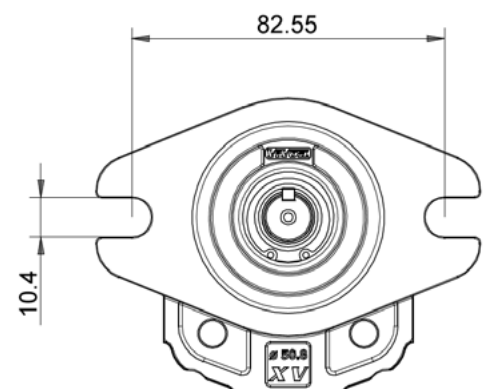
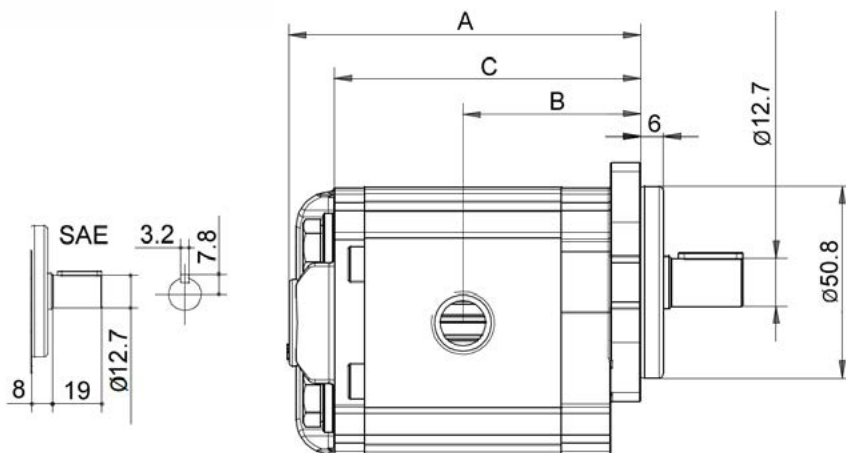
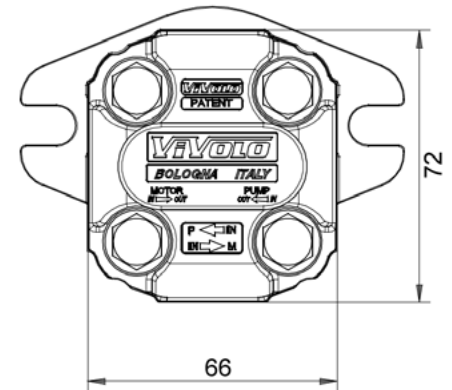
Group 1 Pump SAE AA Mount, 1/2" Keyed Shaft

CW (standard) or CCW rotation available | Relief valves available

Part #	CC	Maximum Pressure (bar)		Max/Min Speed (RPM)	Port S	Port P	Dimension (mm)		
		Working	Peak				A	B	C
X1P1662BBBA	0.91	240	280	6000/700	3/8" BSPP	3/8" BSPP	82.6	41.8	70.6
X1P1762BBBA	1.17	250	290	6000/700	3/8" BSPP	3/8" BSPP	83.5	42.3	71.5
X1P1862BBBA	1.56	250	290	6000/700	3/8" BSPP	3/8" BSPP	85.0	43.0	73.0
X1P2062BBBA	2.08	250	290	6000/700	3/8" BSPP	3/8" BSPP	87.0	44.0	75.0
X1P2162BBBA	2.60	250	300	6000/700	3/8" BSPP	3/8" BSPP	89.0	45.0	77.0
X1P2362BCBA	3.12	250	300	6000/700	1/2" BSPP	3/8" BSPP	91.0	46.5	79.0
X1P2562BCBA	3.64	250	300	6000/700	1/2" BSPP	3/8" BSPP	93.0	47.0	81.0
X1P2762BCBA	4.16	250	300	6000/700	1/2" BSPP	3/8" BSPP	95.0	48.0	83.0
X1P2962BCBA	4.94	250	300	6000/700	1/2" BSPP	3/8" BSPP	98.0	49.5	86.0
X1P3162BCBA	5.85	250	299	5000/700	1/2" BSPP	3/8" BSPP	101.5	51.3	89.5
X1P3262BCBA	6.50	250	269	5000/700	1/2" BSPP	3/8" BSPP	105.0	52.5	93.0
X1P3462BCBA	7.54	220	232	5000/700	1/2" BSPP	3/8" BSPP	108.0	54.5	96.0
X1P3662BCBA	9.88	177	177	4000/700	1/2" BSPP	3/8" BSPP	117.0	59.0	105.0

Group 1 Pump Seal Kit

Part #	Material
8KGX1P2.A	NBR
8KGX1P2.V	Viton



**TECH
DATA**

Group 1 Pump BH Mount, Tang Drive Shaft

Part #	CC	Maximum Pressure (bar)		Max/Min Speed (RPM)	Port S	Port P	Dimension (mm)		
		Working	Peak				A	B	C
X1P1641DBBA	0.91	240	280	6000/700	3/8" BSPP	3/8" BSPP	82.6	41.8	70.6
X1P1741DBBA	1.17	250	290	6000/700	3/8" BSPP	3/8" BSPP	83.5	42.3	71.5
X1P1841DBBA	1.56	250	290	6000/700	3/8" BSPP	3/8" BSPP	85.0	43.0	73.0
X1P2041DBBA	2.08	250	290	6000/700	3/8" BSPP	3/8" BSPP	87.0	44.0	75.0
X1P2141DBBA	2.60	250	283	6000/700	3/8" BSPP	3/8" BSPP	89.0	45.0	77.0
X1P2341DCBA	3.12	236	236	6000/700	1/2" BSPP	3/8" BSPP	91.0	46.5	79.0
X1P2541DCBA	3.64	202	202	6000/700	1/2" BSPP	3/8" BSPP	93.0	47.0	81.0
X1P2741DCBA	4.16	177	177	6000/700	1/2" BSPP	3/8" BSPP	95.0	48.0	83.0
X1P2941DCBA	4.94	149	149	6000/700	1/2" BSPP	3/8" BSPP	98.0	49.5	86.0
X1P3141DCBA	5.85	126	126	5000/700	1/2" BSPP	3/8" BSPP	101.5	51.3	89.5
X1P3241DCBA	6.50	113	113	5000/700	1/2" BSPP	3/8" BSPP	105.0	52.5	93.0
X1P3441DCBA	7.54	98	98	5000/700	1/2" BSPP	3/8" BSPP	108.0	54.5	96.0
X1P3641DCBA	9.88	75	75	4000/700	1/2" BSPP	3/8" BSPP	117.0	59.0	105.0

📌 See nomenclature chart on page 139 for flange codings



41/42 Flange



43 Flange



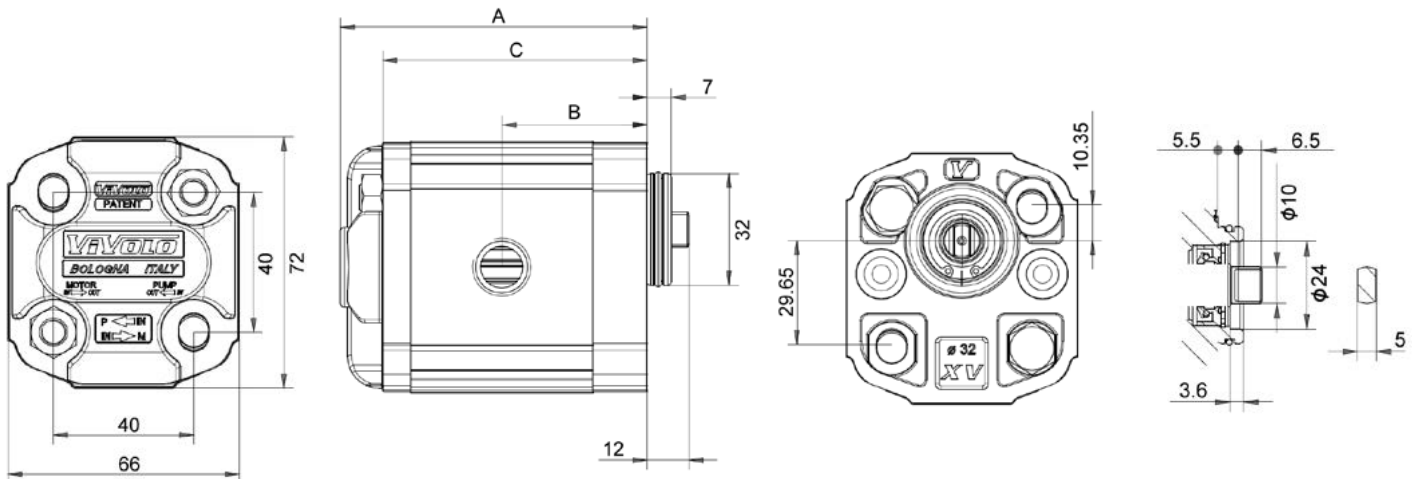
44 Flange

Group 1 Pump Seal Kit

Part #	Material
8KGX1P2.A	NBR
8KGX1P2.V	Viton



📌 Suitable for our DC & AC power units
- see order code for centre block port covers
(page 139)



SERIES	GROUP	PUMP	DISP.	FLANGE	SHAFT	INLET	OUTLET	REAR COVER
X	2	P	51	02	E	C	B	A

DISPLACEMENT

41	4.2cc
43	6.0cc
45	8.4cc
47	10.8cc
49	14.4cc
51	16.8cc
53	19.2cc
55	22.8cc
57	26.2cc
59	30.0cc
61	34.2cc
63	39.6cc

PORTS

INLET	OUTLET	
B	B	4.2cc
B	B	6.0cc
C	B	8.4cc
C	B	10.8cc
C	B	14.4cc
D	C	16.8cc
D	C	19.2cc
D	C	22.8cc
D	C	26.2cc
D	C	30.0cc
D	C	34.2cc
D	C	39.6cc
Z	Z	No ports

B: 1/2" BSPP, C: 3/4" BSPP, D: 1" BSPP



Additional costs apply for non-standard options

FLANGE

LEFT ROTATION	RIGHT ROTATION
---------------	----------------

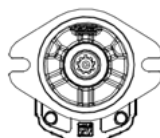
01	02
-----------	-----------

DIN Group 2



51	52
-----------	-----------

SAE-A



41	42
-----------	-----------

Ø80 German Standard



21	22
-----------	-----------

Ø50 HY German Standard (highlighted mounting hole)



11	12
-----------	-----------

Ø50 BH German Standard (highlighted mounting hole)



1S	1D
-----------	-----------

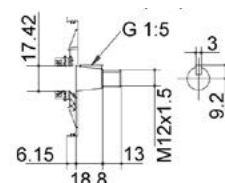
DIN Group 2 Bearing Carrier 1:8 taper



SHAFT

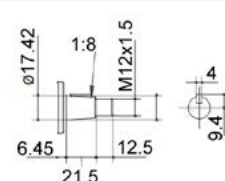
F	GERMAN STANDARDISED ONLY
----------	--------------------------

Tapered
1:5 Ø 17.4mm
M12x1.5
Key 3mm
Shaft Torque
233.3Nm



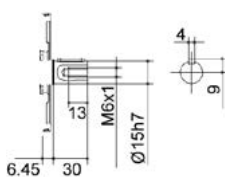
E	
----------	--

Tapered
1:8 Ø 17.2mm
M12x1.5
Key 4mm
Shaft Torque
233.2Nm



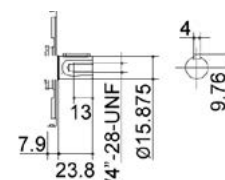
A	
----------	--

Parallel
Ø 15mm
Key 4mm
Shaft Torque
44.1Nm



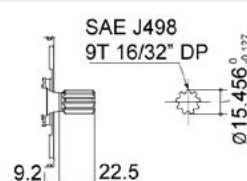
B	
----------	--

Parallel
Ø 5/8"
Key 4mm
Shaft Torque
67.5Nm



I	
----------	--

Splined
9T 16/32 DP
Shaft Torque
67.1Nm



✦ 10T & 11T shaft options - see page 150

REAR COVER

A	N21
----------	------------

10-105 bar

D	N22
----------	------------

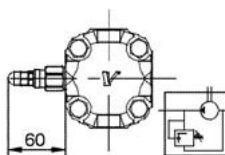
70-210 bar

D1	N22
-----------	------------

140-350 bar

3/4" IN/OUT OUT IN

✦ D/D1 must be used with scalloped housing

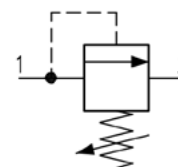
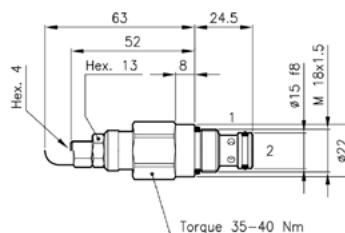


TECH DATA

Group 2 Pump Rear Cover with Integrated Relief Valve

Pricing for this item is in addition to standard pump price

Part #	Maximum Flow Rate	Relief Range	Relief Preset
N-21	50 L/min	10-105 bar	70 bar
N-22	50 L/min	70-210 bar	140 bar
N-23	50 L/min	140-350 bar	280 bar



TECH DATA

Priority Head Internal Excess Flow

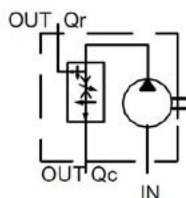
Pricing for this item is in addition to standard pump price

Rear Cover Part #	QC Port	Flow Adjustment	
		Minimum	Maximum
CB62	3/8" BSPP	3 L/min	6 L/min
CB58	3/8" BSPP	6 L/min	11 L/min
CB63	3/8" BSPP	8 L/min	16 L/min
CB64	3/8" BSPP	13 L/min	25 L/min
CB70	3/8" BSPP	25 L/min	45 L/min



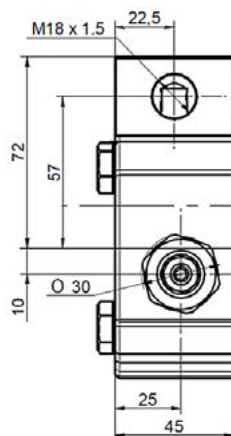
CB

Qc = ADJUSTABLE CONSTANT FLOW



CA

Qc = ADJUSTABLE CONSTANT FLOW
Qr = EXCEEDING FLOW



TECH DATA

Priority Head External Excess Flow

Pricing for this item is in addition to standard pump price

Rear Cover Part #	QC/QR Ports	Flow Adjustment	
		Minimum	Maximum
CA62	3/8" BSPP	3 L/min	6 L/min
CA58	3/8" BSPP	6 L/min	11 L/min
CA63	3/8" BSPP	8 L/min	16 L/min
CA64	3/8" BSPP	13 L/min	25 L/min
CA70	3/8" BSPP	25 L/min	45 L/min

**TECH
DATA**

Group 2 Pump DIN Mount, 1:8 Tapered Shaft

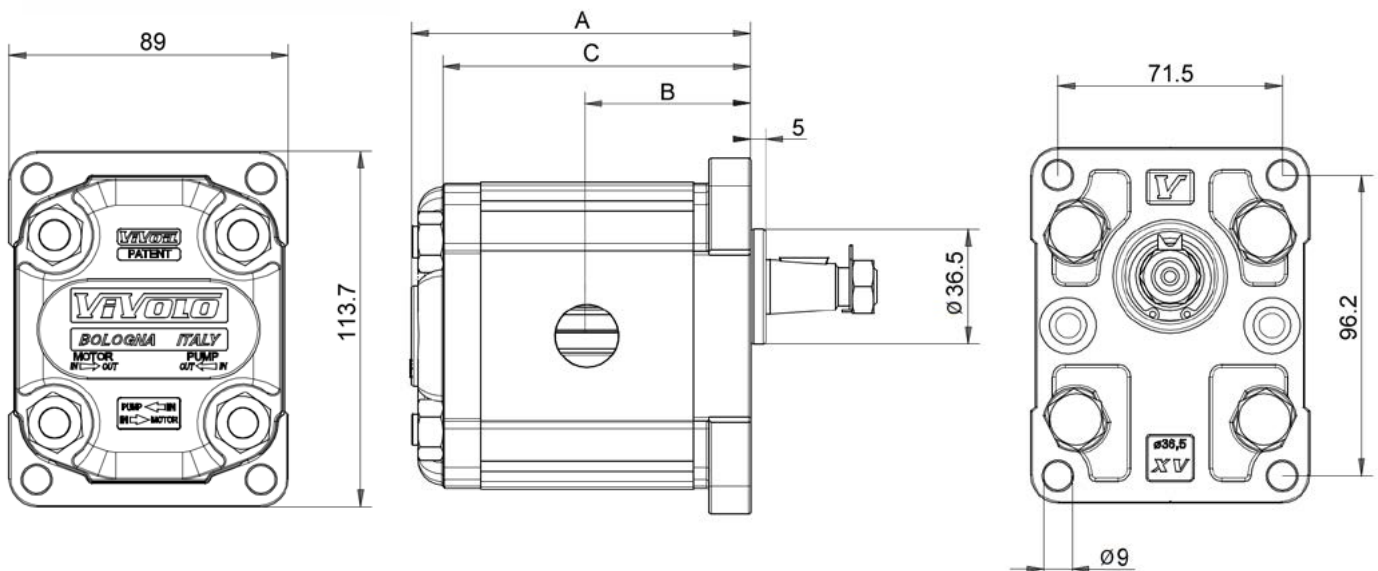
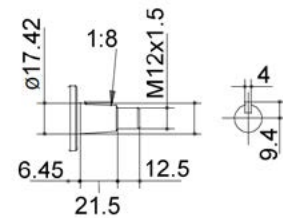
CW (standard) or CCW rotation available | Relief valves & tandem pumps available

Part #	CC	Maximum Pressure (bar)		Max/Min Speed (RPM)	Port S	Port P	Dimension (mm)		
		Working	Peak				A	B	C
X2P4102EBBA	4.2	260	300	3500/700	1/2" BSPP	1/2" BSPP	87.2	41.7	77.2
X2P4302EBBA	6.0	260	300	3500/700	1/2" BSPP	1/2" BSPP	90.2	43.2	80.2
X2P4502ECBA	8.4	260	300	3500/700	3/4" BSPP	1/2" BSPP	94.2	45.2	84.2
X2P4702ECBA	10.8	260	300	3500/700	3/4" BSPP	1/2" BSPP	98.2	47.2	88.2
X2P4902ECBA	14.4	250	290	3500/700	3/4" BSPP	1/2" BSPP	104.2	50.2	94.2
X2P5102EDCA	16.8	230	270	3500/700	1" BSPP	3/4" BSPP	108.2	52.2	98.2
X2P5302EDCA	19.2	210	250	3000/700	1" BSPP	3/4" BSPP	112.2	54.2	102.2
X2P5502EDCA	22.8	200	240	3000/700	1" BSPP	3/4" BSPP	118.2	57.2	108.2
X2P5702EDCA	26.2	170	210	3000/700	1" BSPP	3/4" BSPP	122.2	59.2	112.2
X2P5902EDCA	30.0	160	200	2500/700	1" BSPP	3/4" BSPP	130.2	63.2	120.2
X2P6102EDCA	34.2	150	190	2500/700	1" BSPP	3/4" BSPP	137.2	66.7	127.2
X2P6302EDCA	39.6	140	180	2000/700	1" BSPP	3/4" BSPP	146.2	71.2	136.2



Group 2 Pump Seal Kit

Part #	Material
8KGX2P1.A	NBR
8KGX2P1.V	Viton



**TECH
DATA**

Group 2 Pump DIN Mount With Bearing Carrier, 1:8 Tapered Shaft

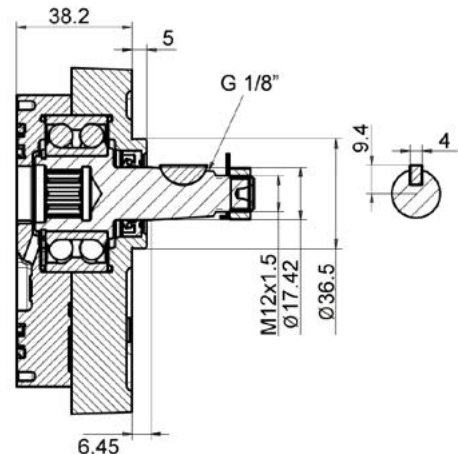
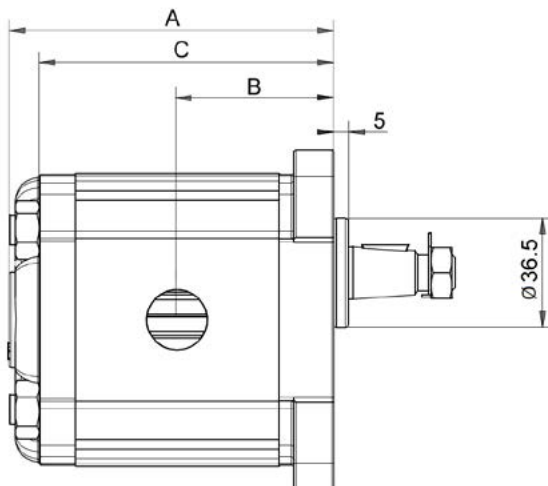
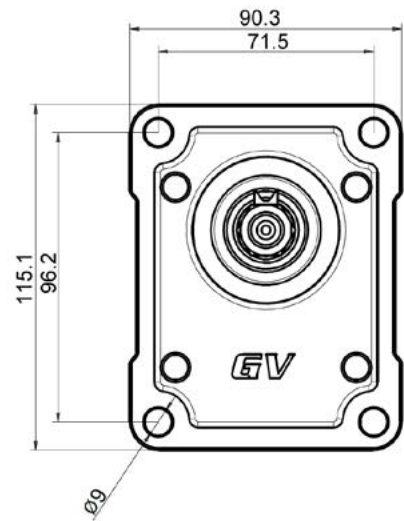
CW (standard) or CCW rotation available | Relief valves & tandem pumps available

Part #	CC	Maximum Pressure (bar)		Max/Min Speed (RPM)	Port S	Port P	Dimension (mm)		
		Working	Peak				A	B	C
X2P411DEBBA	4.2	260	300	3500/700	1/2" BSPP	1/2" BSPP	107.2	41.7	77.2
X2P431DEBBA	6.0	260	300	3500/700	1/2" BSPP	1/2" BSPP	110.2	43.2	80.2
X2P451DECBA	8.4	260	300	3500/700	3/4" BSPP	1/2" BSPP	114.2	45.2	84.2
X2P471DECBA	10.8	260	300	3500/700	3/4" BSPP	1/2" BSPP	118.2	47.2	88.2
X2P491DECBA	14.4	250	290	3500/700	3/4" BSPP	1/2" BSPP	124.2	50.2	94.2
X2P511DEDCA	16.8	230	270	3500/700	1" BSPP	3/4" BSPP	128.2	52.2	98.2
X2P531DEDCA	19.2	210	250	3000/700	1" BSPP	3/4" BSPP	132.2	54.2	102.2
X2P551DEDCA	22.8	200	240	3000/700	1" BSPP	3/4" BSPP	138.2	57.2	108.2
X2P571DEDCA	26.2	170	210	3000/700	1" BSPP	3/4" BSPP	142.2	59.2	112.2
X2P591DEDCA	30.0	160	200	2500/700	1" BSPP	3/4" BSPP	150.2	63.2	120.2
X2P611DEDCA	34.2	150	190	2500/700	1" BSPP	3/4" BSPP	157.2	66.7	127.2
X2P631DEDCA	39.6	140	180	2000/700	1" BSPP	3/4" BSPP	166.2	71.2	136.2



Group 2 Pump Seal Kit

Part #	Material
8KGX2P1.A	NBR
8KGX2P1.V	Viton



**TECH
DATA**

Group 2 Pump Standard German Mount, 1:5 Tapered Shaft

CW (standard) or CCW rotation available | Relief valves available

Part #	CC	Maximum Pressure (bar)		Max/Min Speed (RPM)	Port S	Port P	Dimension (mm)		
		Working	Peak				A	B	C
X2P4142FBBA	4.2	260	300	3500/700	1/2" BSPP	1/2" BSPP	89.7	41.1	79.7
X2P4342FBBA	6.0	260	300	3500/700	1/2" BSPP	1/2" BSPP	92.7	41.1	82.7
X2P4542FCBA	8.4	260	300	3500/700	3/4" BSPP	1/2" BSPP	96.7	43.1	86.7
X2P4742FCBA	10.8	260	300	3500/700	3/4" BSPP	1/2" BSPP	100.7	47.5	90.7
X2P4942FCBA	14.4	250	290	3500/700	3/4" BSPP	1/2" BSPP	106.7	47.5	96.7
X2P5142FDCA	16.8	230	270	3500/700	1" BSPP	3/4" BSPP	110.7	47.5	100.7
X2P5342FDCA	19.2	210	250	3000/700	1" BSPP	3/4" BSPP	114.7	47.5	104.7
X2P5542FDCA	22.8	200	240	3000/700	1" BSPP	3/4" BSPP	120.7	55	110.7
X2P5742FDCA	26.2	170	210	3000/700	1" BSPP	3/4" BSPP	124.7	55	114.7
X2P5942FDCA	30.0	160	200	2500/700	1" BSPP	3/4" BSPP	132.7	63.2	122.7
X2P6142FDCA	34.2	150	190	2500/700	1" BSPP	3/4" BSPP	139.7	63.2	129.7
X2P6342FDCA	39.6	140	180	2500/700	1" BSPP	3/4" BSPP	148.7	63.2	138.7

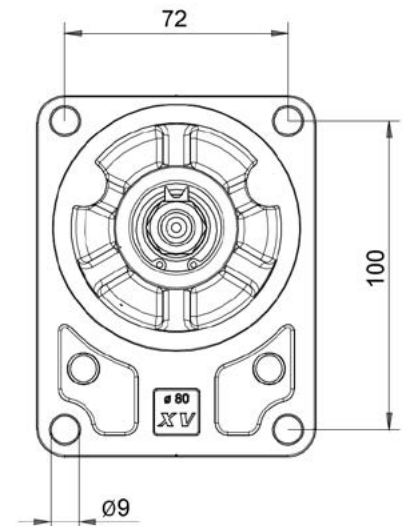
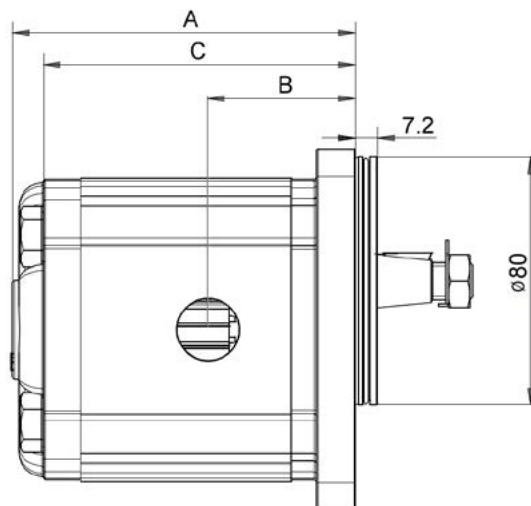
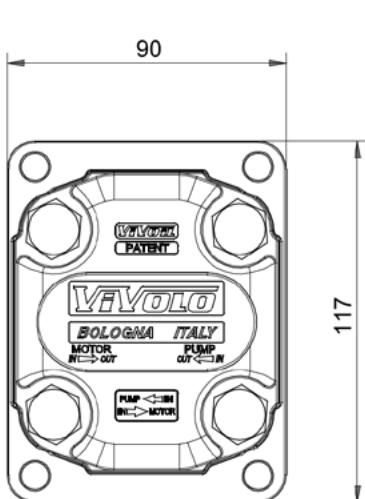
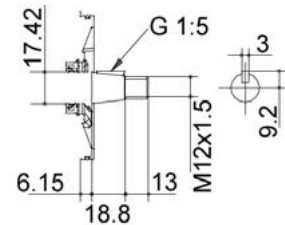


Group 2 Pump Seal Kit

Part #	Material
8KGX2P1.A	NBR
8KGX2P1.V	Viton



MADE IN EUROPE



TECH DATA

Group 2 Pump SAE A Mount, 5/8" Keyed Shaft

CW (standard) or CCW rotation available | Relief valves & tandem pumps available

Part #	CC	Maximum Pressure (bar)		Max/Min Speed (RPM)	Port S	Port P	Dimension (mm)		
		Working	Peak				A	B	C
X2P4152BBBA	4.2	260	300	3500/700	1/2" BSPP	1/2" BSPP	88.0	39.4	78.0
X2P4352BBBA	6.0	260	300	3500/700	1/2" BSPP	1/2" BSPP	91.0	39.4	81.0
X2P4552BCBA	8.4	260	300	3500/700	3/4" BSPP	1/2" BSPP	95.0	41.4	85.0
X2P4752BCBA	10.8	260	300	3500/700	3/4" BSPP	1/2" BSPP	99.0	45.8	89.0
X2P4952BCBA	14.4	250	250	3500/700	3/4" BSPP	1/2" BSPP	105.0	45.8	95.0
X2P5152BDCA	16.8	214	214	3500/700	1" BSPP	3/4" BSPP	109.0	45.8	99.0
X2P5352BDCA	19.2	188	188	3000/700	1" BSPP	3/4" BSPP	113.0	45.8	103.0
X2P5552BDCA	22.8	158	158	3000/700	1" BSPP	3/4" BSPP	119.0	53.3	109.0
X2P5752BDCA	26.2	138	138	3000/700	1" BSPP	3/4" BSPP	123.0	53.3	113.0
X2P5952BDCA	30.0	120	120	2500/700	1" BSPP	3/4" BSPP	131.0	61.5	121.0
X2P6152BDCA	34.2	105	105	2500/700	1" BSPP	3/4" BSPP	138.0	61.5	128.0
X2P6352BDCA	39.6	91	91	2000/700	1" BSPP	3/4" BSPP	147.0	61.5	137.0

TECH DATA

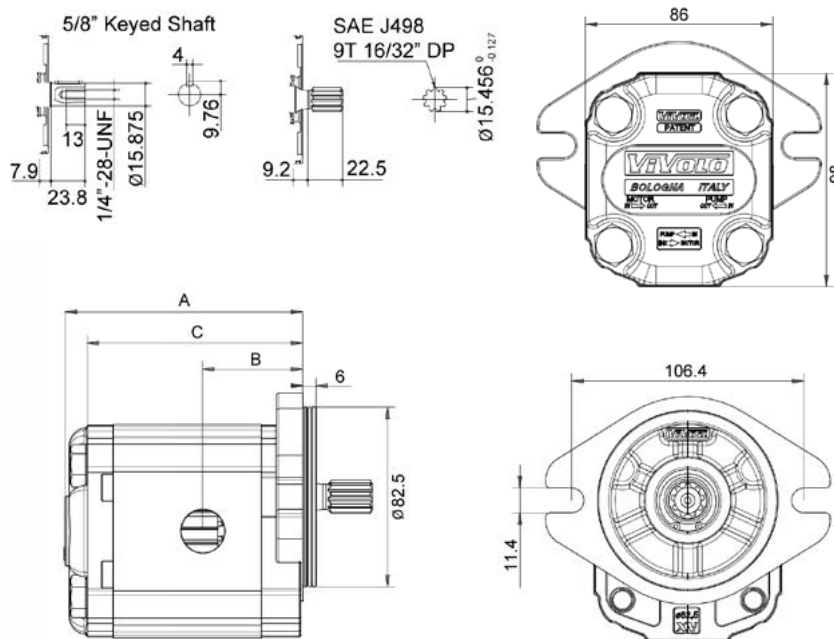
Group 2 Pump SAE A Mount, 5/8" 9 Tooth Splined Shaft

CW (standard) or CCW rotation available | Relief valves & tandem pumps available

Part #	CC	Maximum Pressure (bar)		Max/Min Speed (RPM)	Port S	Port P	Dimension (mm)		
		Working	Peak				A	B	C
X2P4152IBBA	4.2	260	300	3500/700	1/2" BSPP	1/2" BSPP	88.0	39.4	78.0
X2P4352IBBA	6.0	260	300	3500/700	1/2" BSPP	1/2" BSPP	91.0	39.4	81.0
X2P4552ICBA	8.4	260	300	3500/700	3/4" BSPP	1/2" BSPP	95.0	41.4	85.0
X2P4752ICBA	10.8	260	300	3500/700	3/4" BSPP	1/2" BSPP	99.0	45.8	89.0
X2P4952ICBA	14.4	249	249	3500/700	3/4" BSPP	1/2" BSPP	105.0	45.8	95.0
X2P5152IDCA	16.8	213	213	3500/700	1" BSPP	3/4" BSPP	109.0	45.8	99.0
X2P5352IDCA	19.2	187	187	3000/700	1" BSPP	3/4" BSPP	113.0	45.8	103.0
X2P5552IDCA	22.8	157	157	3000/700	1" BSPP	3/4" BSPP	119.0	53.3	109.0
X2P5752IDCA	26.2	137	137	3000/700	1" BSPP	3/4" BSPP	123.0	53.3	113.0
X2P5952IDCA	30.0	119	119	2500/700	1" BSPP	3/4" BSPP	131.0	61.5	121.0
X2P6152IDCA	34.2	105	105	2500/700	1" BSPP	3/4" BSPP	138.0	61.5	128.0
X2P6352IDCA	39.6	90	90	2000/700	1" BSPP	3/4" BSPP	147.0	61.5	137.0

Group 2 Pump Seal Kit

Part #	Material
8KGX2P1.A	NBR
8KGX2P1.V	Viton



TECH DATA

Group 2 Pump SAE A Mount, 10 Tooth Shaft (Cast Iron End Plates)

CW (standard) or CCW rotation available | Relief valves available

Part #	CC	Maximum Pressure (bar)		Max/Min Speed (RPM)	Port S	Port P	Dimension (mm)		
		Working	Peak				A	B	C
G2P5152RDCA	16.8	230	270	3500/700	1" BSPP	3/4" BSPP	107.0	53	101.0
G2P5552RDCA	22.8	200	240	3000/700	1" BSPP	3/4" BSPP	117.0	58	111.0
G2P5752RDCA	26.2	170	210	3000/700	1" BSPP	3/4" BSPP	121.0	60	115.0
G2P5952RDCA	30.0	160	200	2500/700	1" BSPP	3/4" BSPP	129.0	64	123.0
G2P6152RDCA	34.2	150	190	2500/700	1" BSPP	3/4" BSPP	136.0	67.5	130.0

TECH DATA

Group 2 Pump SAE A Mount, 11 Tooth Shaft (Cast Iron End Plates)

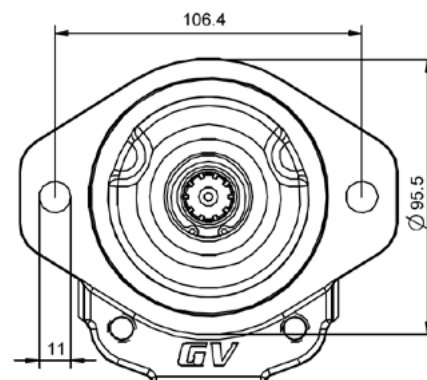
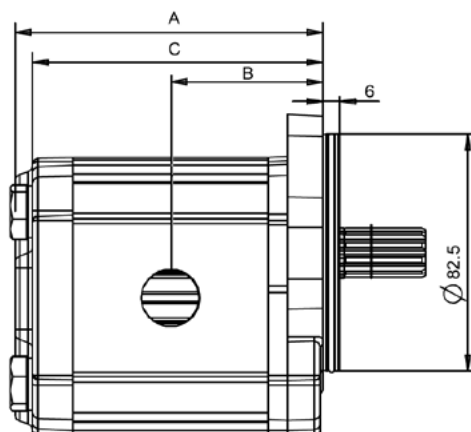
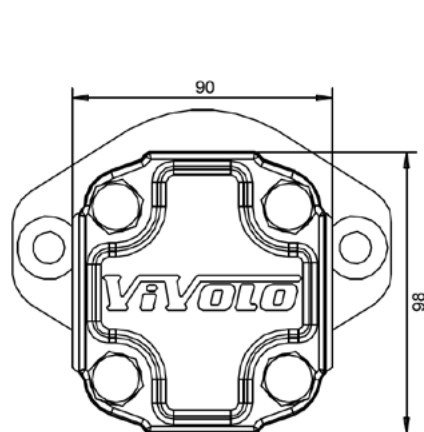
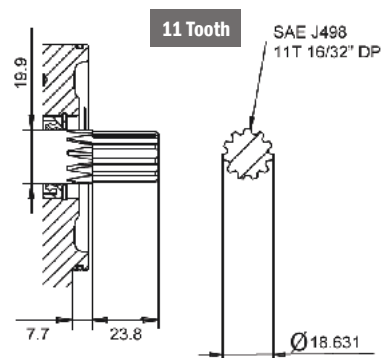
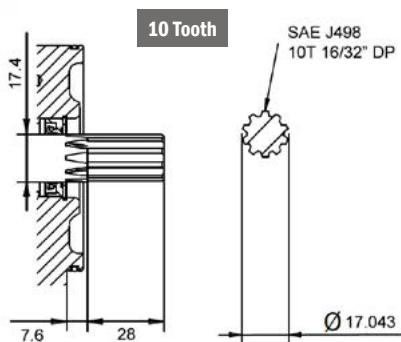
CW (standard) or CCW rotation available | Relief valves available

Part #	CC	Maximum Pressure (bar)		Max/Min Speed (RPM)	Port S	Port P	Dimension (mm)		
		Working	Peak				A	B	C
G2P4152SBBA	4.2	260	300	3500/700	1/2" BSPP	1/2" BSPP	86.0	42.5	80.0
G2P4352SCBA	6.0	260	300	3500/700	3/4" BSPP	1/2" BSPP	89.0	44	83.0
G2P4552SCBA	8.4	260	300	3500/700	3/4" BSPP	1/2" BSPP	93.0	46	87.0
G2P4752SCBA	10.8	260	300	3500/700	3/4" BSPP	1/2" BSPP	97.0	48	91.0
G2P4952SCBA	14.4	250	290	3500/700	3/4" BSPP	1/2" BSPP	103.0	51	97.0
G2P5152SCBA	16.8	230	270	3500/700	3/4" BSPP	1/2" BSPP	107.0	53	101.0
G2P5352SDCA	19.2	210	250	3000/700	1" BSPP	3/4" BSPP	111.0	55	105.0
G2P5552SDCA	22.8	200	240	3000/700	1" BSPP	3/4" BSPP	117.0	58	111.0
G2P5752SDCA	26.2	170	210	3000/700	1" BSPP	3/4" BSPP	121.0	60	115.0



Group 2 Pump Seal Kit

Part #	Material
8KGX2P1.A	NBR
8KGX2P1.V	Viton



Series	Group	Pump	DISP.	FLANGE	SHAFT	INLET	OUTLET	REAR
X	3	P	66	32	I	D	D	A

DISPLACEMENT

66	14.89cc
68	17.37cc
70	21.10cc
72	26.97cc
74	32.27cc
78	38.47cc
79	43.44cc
80	47.16cc
81	50.88cc
82	54.60cc
83	60.81cc
85	64.53cc
86	70.74cc
87	74.46cc
89	86.87cc

PORTS

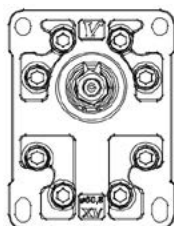
INLET	OUTLET	
D	D	14.9cc
E	D	17.4cc
E	D	21.1cc
E	D	27.0cc
E	D	32.3cc
E	D	38.5cc
F	E	43.4cc
F	E	47.2cc
F	E	50.9cc
F	E	54.6cc
F	E	60.8cc
F	E	64.5cc
F	E	70.7cc
F	F	74.5cc
F	F	86.9cc

D: 3/4" BSPP, E: 1" BSPP, F: 1.1/4" BSPP

FLANGE

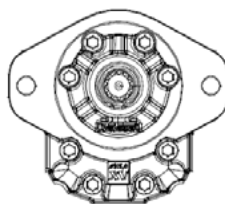
LEFT ROTATION	RIGHT ROTATION
01	02

DIN Group 3



31	32
-----------	-----------

SAE-B



REAR COVER

A

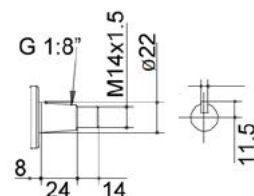


Additional costs apply for non-standard options

SHAFT

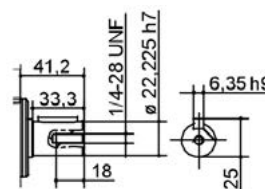
A

Tapered
1:8 Ø 22mm
M14x1.5
Key 4mm
Shaft Torque
482Nm



H

Parallel
Ø 7/8" Key
6.35mm
Shaft Torque
180Nm



I

Splined
7/8" 13T
Shaft Torque
264Nm



**TECH
DATA**

Group 3 Pump DIN Mount, 1:8 Tapered Shaft

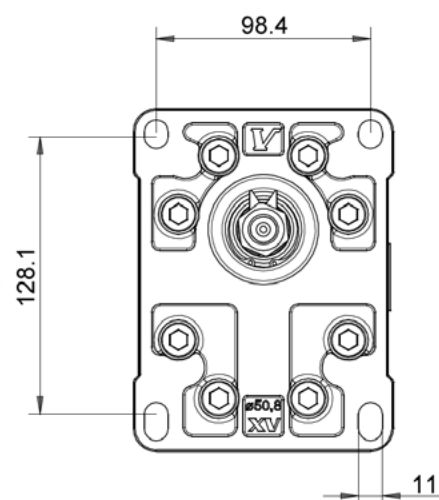
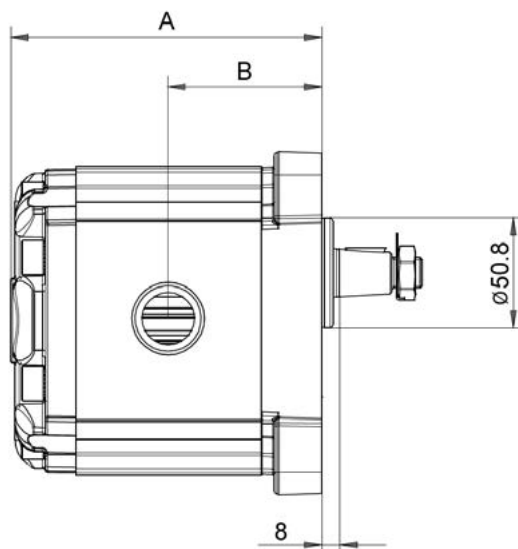
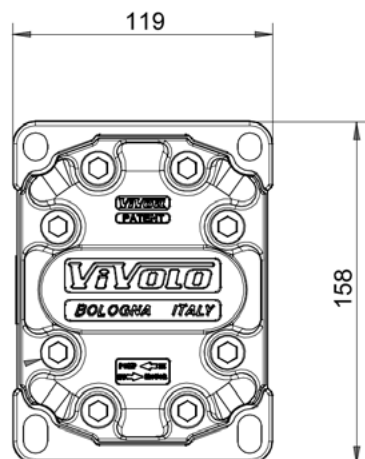
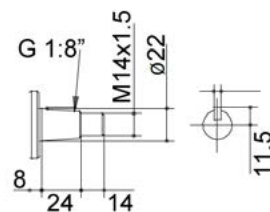
CW (standard) or CCW rotation available | Relief valves & tandem pumps available

Part #	CC	Maximum Pressure (bar)		Max/Min Speed (RPM)	Port S	Port P	Dimension (mm)	
		Working	Peak				A	B
X3P6602ADDA	14.89	300	320	3000/700	3/4" BSPP	3/4" BSPP	124.0	61.0
X3P6802AEDA	17.37	300	320	3000/700	1" BSPP	3/4" BSPP	126.0	62.0
X3P7002AEDA	21.10	280	300	3000/700	1" BSPP	3/4" BSPP	129.0	63.5
X3P7202AEDA	26.97	250	270	3000/700	1" BSPP	3/4" BSPP	133.0	65.5
X3P7402AEDA	32.27	250	270	3000/700	1" BSPP	3/4" BSPP	138.0	68.0
X3P7802AEDA	38.47	250	270	2800/700	1" BSPP	3/4" BSPP	143.0	70.5
X3P7902AFEA	43.44	250	270	2800/700	1.1/4" BSPP	1" BSPP	147.0	72.5
X3P8002AFEA	47.16	230	250	2800/700	1.1/4" BSPP	1" BSPP	150.0	74.0
X3P8102AFEA	50.88	230	250	2800/700	1.1/4" BSPP	1" BSPP	153.0	75.5
X3P8202AFEA	54.60	230	250	2300/700	1.1/4" BSPP	1" BSPP	156.0	77.0
X3P8302AFEA	60.81	230	250	2300/700	1.1/4" BSPP	1" BSPP	161.0	79.5
X3P8502AFEA	64.53	210	230	2300/700	1.1/4" BSPP	1" BSPP	164.0	81.0
X3P8602AFEA	70.74	200	220	2300/700	1.1/4" BSPP	1" BSPP	169.0	83.5
X3P8702AFFA	74.46	180	200	2300/700	1.1/4" BSPP	1.1/4" BSPP	172.0	85.0
X3P8902AFFA	86.87	150	170	2300/700	1.1/4" BSPP	1.1/4" BSPP	182.0	90.0



Group 3 Pump Seal Kit

Part #	Material
8KGX3P1.A	NBR
8KGX3P1.V	Viton



**TECH
DATA**

Group 3 Pump SAE B Mount, 7/8" Keyed Shaft

CW (standard) or CCW rotation available | Relief valves & tandem pumps available

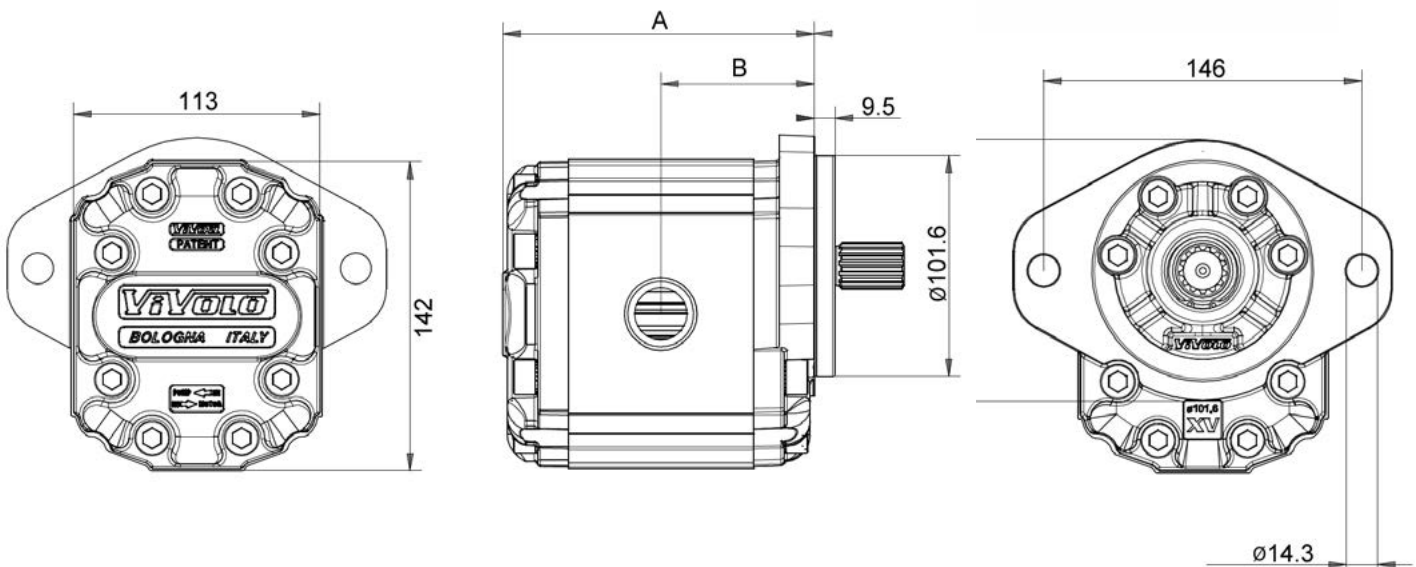
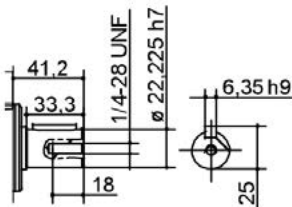
Part #	CC	Maximum Pressure (bar)		Max/Min Speed (RPM)	Port S	Port P	Dimension (mm)	
		Working	Peak				A	B
X3P7032HEDA	21.10	280	300	3000/700	1" BSPP	3/4" BSPP	129.0	63.5
X3P7232HEDA	26.97	250	270	3000/700	1" BSPP	3/4" BSPP	133.0	65.5
X3P7432HEDA	32.27	250	270	3000/700	1" BSPP	3/4" BSPP	138.0	68.0
X3P7832HEDA	38.47	250	250	2800/700	1" BSPP	3/4" BSPP	143.0	70.5
X3P7932HFEA	43.44	221	221	2800/700	1.1/4" BSPP	1" BSPP	147.0	72.5
X3P8032HFEA	47.16	204	204	2800/700	1.1/4" BSPP	1" BSPP	150.0	74.0
X3P8132HFEA	50.88	189	189	2800/700	1.1/4" BSPP	1" BSPP	153.0	75.5
X3P8232HFEA	54.60	176	176	2300/700	1.1/4" BSPP	1" BSPP	156.0	77.0
X3P8332HFEA	60.81	158	158	2300/700	1.1/4" BSPP	1" BSPP	161.0	79.5
X3P8532HFEA	64.53	149	149	2300/700	1.1/4" BSPP	1" BSPP	164.0	81.0
X3P8732HFFA	74.46	129	129	2300/700	1.1/4" BSPP	1.1/4" BSPP	172.0	85.0

Group 3 Pump Seal Kit

Part #	Material
8KGX3P1.A	NBR
8KGX3P1.V	Viton



MADE IN EUROPE



**TECH
DATA**

Group 3 Pump SAE B Mount, 7/8" 13 Tooth Splined Shaft

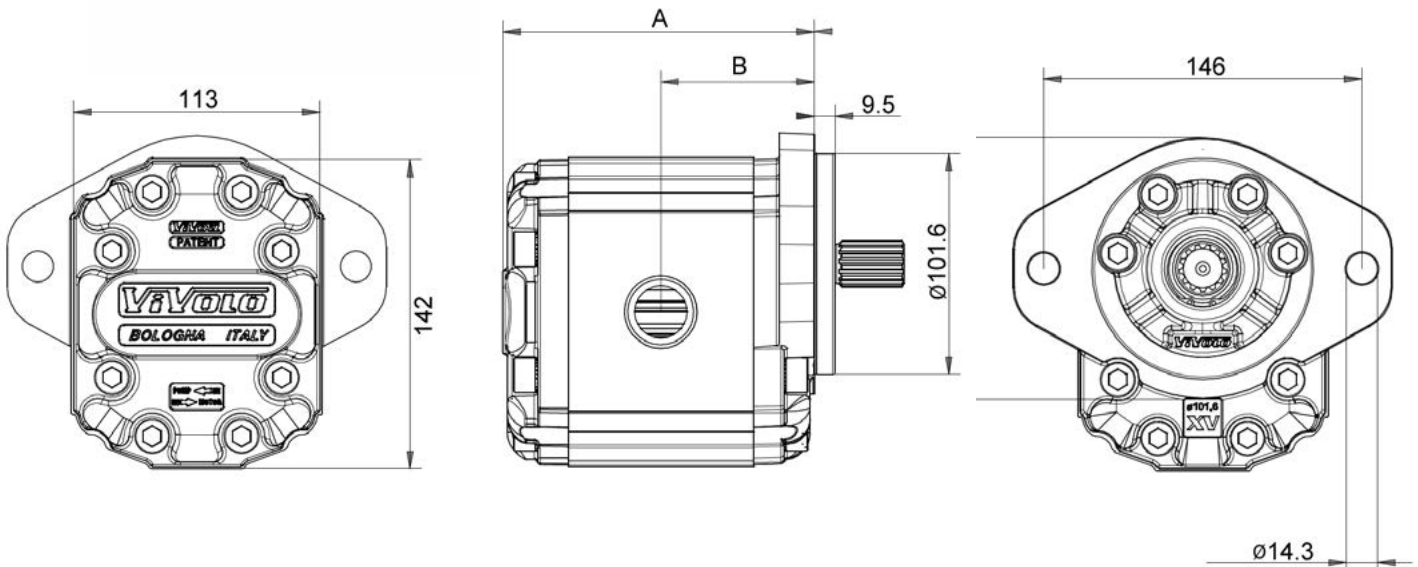
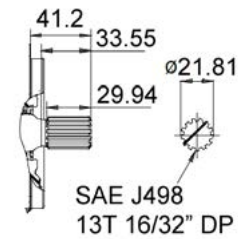
CW (standard) or CCW rotation available | Relief valves & tandem pumps available

Part #	CC	Maximum Pressure (bar)		Max/Min Speed (RPM)	Port S	Port P	Dimension (mm)	
		Working	Peak				A	B
X3P6632IDDA	14.89	300	320	3000/700	3/4" BSPP	3/4" BSPP	124.0	61.0
X3P6832IEDA	17.37	300	320	3000/700	1" BSPP	3/4" BSPP	126.0	62.0
X3P7032IEDA	21.10	280	300	3000/700	1" BSPP	3/4" BSPP	129.0	63.5
X3P7232IEDA	26.97	250	270	3000/700	1" BSPP	3/4" BSPP	133.0	65.5
X3P7432IEDA	32.27	250	270	3000/700	1" BSPP	3/4" BSPP	138.0	68.0
X3P7832IEDA	38.47	250	270	2800/700	1" BSPP	3/4" BSPP	143.0	70.5
X3P7932IFEA	43.44	250	270	2800/700	1.1/4" BSPP	1" BSPP	147.0	72.5
X3P8032IFEA	47.16	230	250	2800/700	1.1/4" BSPP	1" BSPP	150.0	74.0
X3P8132IFEA	50.88	230	250	2800/700	1.1/4" BSPP	1" BSPP	153.0	75.5
X3P8232IFEA	54.60	230	250	2300/700	1.1/4" BSPP	1" BSPP	156.0	77.0
X3P8332IFEA	60.81	230	232	2300/700	1.1/4" BSPP	1" BSPP	161.0	79.5
X3P8532IFEA	64.53	210	218	2300/700	1.1/4" BSPP	1" BSPP	164.0	81.0
X3P8632IFEA	70.74	199	199	2300/700	1.1/4" BSPP	1" BSPP	169.0	83.5
X3P8732IFFA	74.46	180	189	2300/700	1.1/4" BSPP	1.1/4" BSPP	172.0	85.0
X3P8932IFFA	86.87	150	162	2300/700	1.1/4" BSPP	1.1/4" BSPP	182.0	90.0



Group 3 Pump Seal Kit

Part #	Material
8KGX3P1.A	NBR
8KGX3P1.V	Viton



**TECH
DATA**

Group 1 Pump (European Standard) 4-Bolt Mount, 1:8 Tapered Shaft

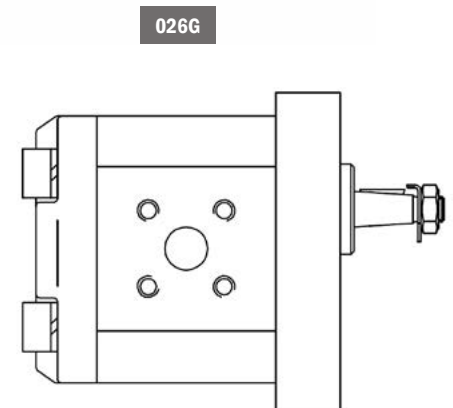
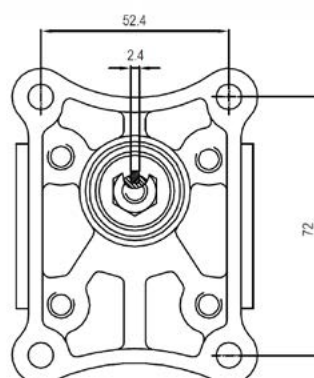
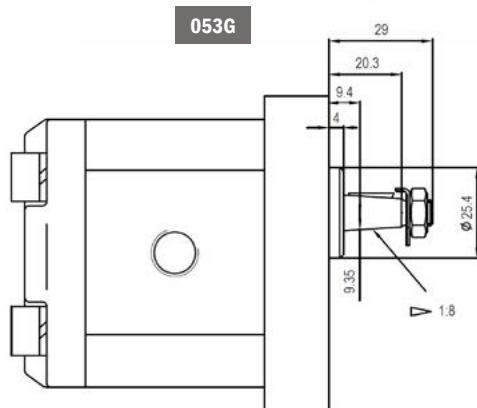
Part #	Part #	CC	Port		Max Continuous Speed (RPM)	Max Continuous Pressure (Bar)	Weight (Kg)
			Suction	Pressure			
10C1X053G	10C1X026	1	3/8"	3/8"	3500	250	1
10C1.25X053G	10C1.25X026	1.25	3/8"	3/8"	3500	250	1
10C1.6X053G	10C1.6X026	1.6	3/8"	3/8"	3500	250	1
10C2X053G	10C2X026	2	3/8"	3/8"	3500	250	1
10C2.5X053G	10C2.5X026	2.5	3/8"	3/8"	3500	250	1.1
10C3.15X053G	10C3.15X026	3.15	1/2"	3/8"	3500	250	1.1
10C3.65X053G	10C3.65X026	3.65	1/2"	3/8"	3500	250	1.2
10C4.2X053G	10C4.2X026	4.2	1/2"	3/8"	3500	250	1.2
10C5X053G	10C5X026	5	1/2"	3/8"	3000	250	1.2
10C5.7X053G	10C5.7X026	5.7	1/2"	3/8"	3000	200	1.3
10C6.1X053G	10C6.1X026	6.1	1/2"	3/8"	2500	200	1.3
10C7.4X053G	10C7.4X026	7.4	1/2"	3/8"	2500	180	1.4
10C8.5X053G	10C8.5X026	8.5	1/2"	3/8"	2000	150	1.5
10C9.8X053G	10C9.8X026	9.8	1/2"	3/8"	2000	120	1.6

✦ Additional charges apply to non-standard pumps

✦ For counter-clockwise (CCW) pumps, replace the C in the part number with A, e.g. 10C1X053G becomes 10A1X053G

Group 1 Pump Seal Kits & Port Adaptors

Part #	Description
GR105-SK	Seal kit
GR105-SS	Shaft seal only
G3/8	Port adaptor:
G1/2	Port adaptor: alloy elbow 2-bolt, mount PCD 30mm, female 1/2" BSPP



**TECH
DATA**

Group 2 Pump (European Standard) 4-Bolt Mount, 1:8 Tapered Shaft

Part #	Part #	CC	Port		Max Continuous Speed (RPM)	Max Continuous Pressure (Bar)	Weight (Kg)
			Suction	Pressure			
20C4.5X687G	20C4.5X006	4.5	1/2"	1/2"	3500	250	3.3
20C6.3X687G	20C6.3X006	6.3	1/2"	1/2"	3500	250	3.4
20C8.2X687G	20C8.2X006	8.2	1/2"	1/2"	3500	250	3.4
20C11X016G	20C11X006	11.3	3/4"	1/2"	3500	250	3.6
20C14X016G	20C14X006	14	3/4"	1/2"	3500	250	3.7
20C16X016G	20C16X006	16	3/4"	1/2"	2500	250	3.8
20C19X016G	20C19X006	19	3/4"	1/2"	2500	200	3.9
20C22X016G	20C22X006	22	3/4"	1/2"	2000	180	4.1
20C25X016HG	20C25X006H	25	3/4"	1/2"	2500	160	4.5
20C28X016HG	20C28X006H	28	1"	3/4"	2500	130	4.6
20C32X016HG	20C32X006H	32	1"	3/4"	2000	120	4.9
20C36X016HG	20C36X006H	36	1"	3/4"	2000	100	5

✂ Additional charges apply to non-standard pumps

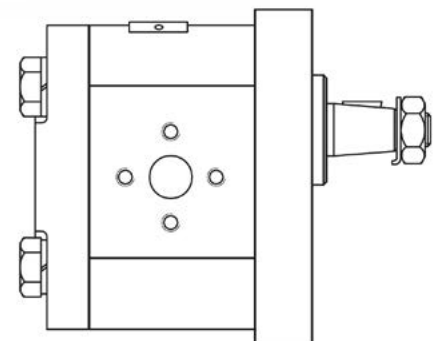
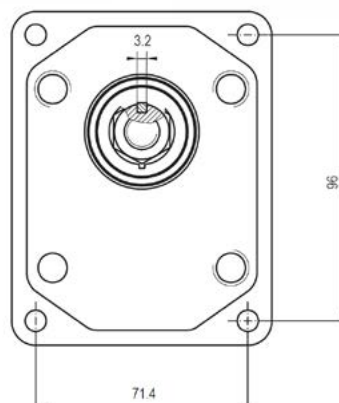
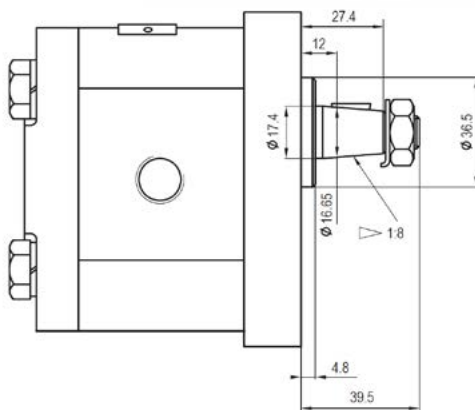
✂ For counter-clockwise (CCW) pumps, replace the C in the part number with A, e.g. 20C4.5X687G becomes 20C4.5X687G

Group 2 Pump Seal Kits & Port Adaptors

Part #	Description
GR205-SK	Seal kit
GR205-SKV	Seal kit (viton)
GR205-SS	Shaft seal only
GR205-SSV	Shaft seal (viton) only
GR205-SST	Shaft seal high pressure (30 bar)
G1/2	Port adaptor: alloy elbow 2-bolt, mount PCD 30mm, female 1/2" BSPP
G3/4	Port adaptor: alloy elbow 2-bolt, mount PCD 40mm, female 3/4" BSPP
G1	Port adaptor: alloy elbow 2-bolt, mount PCD 50.8mm, female 1" BSPP



MADE IN EUROPE



**TECH
DATA**

Group 2 Pump (American Standard) SAE-A 2-Bolt Mount, 5/8" Shaft (Keyed or 9T Splined)

Part #	Part #	CC	Ports (BSPP)		Max Continuous Speed (RPM)	Max Continuous Pressure (Bar)	Weight (Kg)
			Suction	Pressure			
20C4.5X030G	20C4.5X085G	4.5	1/2"	1/2"	3500	250	3.4
20C6.3X030G	20C6.3X085G	6.3	1/2"	1/2"	3500	250	3.5
20C8.2X030G	20C8.2X085G	8.2	1/2"	1/2"	3500	250	3.5
20C11X030G	20C11X085G	11.3	3/4"	1/2"	3500	250	3.7
20C14X030G	20C14X085G	14	3/4"	1/2"	3500	250	3.8
20C16X030G	20C16X085G	16	3/4"	1/2"	2500	250	3.9
20C19X030G	20C19X085G	19	3/4"	1/2"	2500	200	4
20C22X030G	20C22X085G	22	3/4"	1/2"	2000	180	4.2
20C25X030HG	20C25X085HG	25	3/4"	1/2"	2500	160	4.6
20C28X030HG	20C28X085HG	28	1"	3/4"	2500	130	4.7
20C32X030HG	20C32X085HG	32	1"	3/4"	2000	120	5
20C36X030HG	20C36X085HG	36	1"	3/4"	2000	100	5.1

✂ Additional charges apply to non-standard pumps

✂ For counter-clockwise (CCW) pumps, replace the C in the part number with A, e.g. 20C4.5X030G becomes 20A4.5X030G

Group 2 Pump Seal Kits

Part #	Description
GR205-SK	Seal kit
GR205-SKV	Seal kit (viton)
GR205-SS	Shaft seal only
GR205-SSV	Shaft seal (viton) only



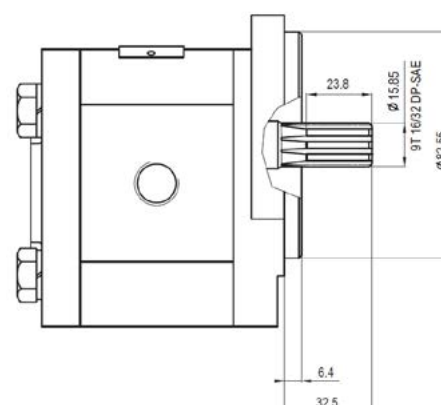
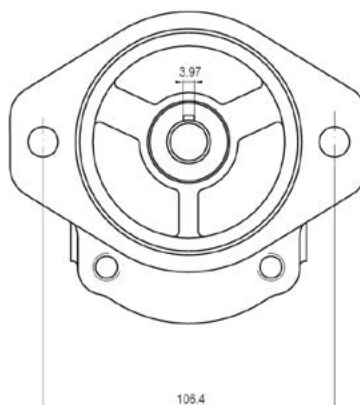
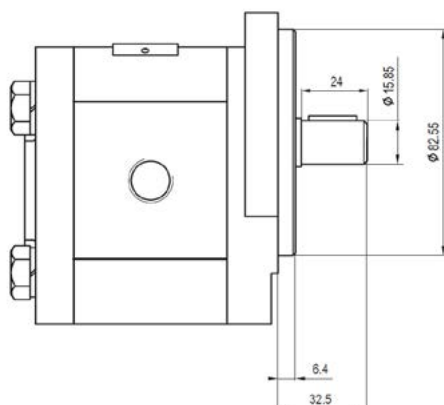
MADE IN EUROPE



030G



085G



**TECH
DATA**

Group 2 Pump (German Standard) 4-Bolt Mount, 1:5 Taper or 9T Splined Shaft

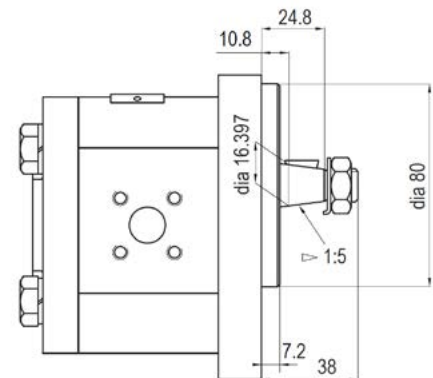
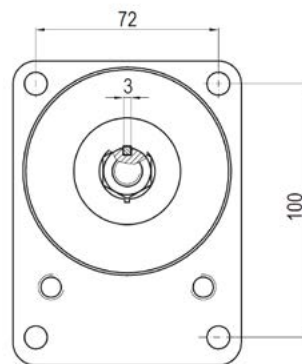
Part #	Part #	CC	Ports (Flanged)		Max Continuous Speed (RPM)	Max Continuous Pressure (Bar)
			Suction	Pressure		
20A4.5X086	20A4.5X021	4.5	G206	G205	3500	250
20A6.3X086	20A6.3X021	6.3	G206	G205	3500	250
20A8.2X086	20A8.2X021	8.2	G206	G205	3500	250
20A11X086	20A11X021	11	G206	G205	3500	250
20A14X086	20A14X021	14	G206	G205	3500	250
20A16X086	20A16X021	16	G206	G205	2500	250
20A19X086	20A19X021	19	G206	G205	2500	200
20A22X086	20A22X021	22	G206	G205	2000	180
20A25X086H	20A25X021H	25	G206	G205	2500	160

✦ Additional charges apply to non-standard pumps

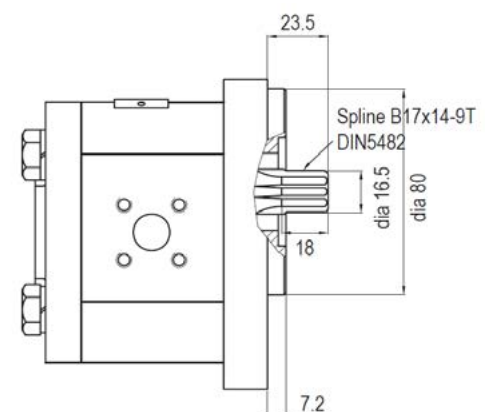
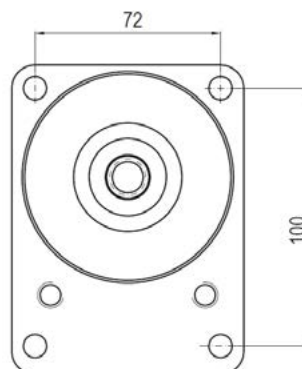
✦ For clockwise (CW) pumps, replace the A in the part number with C, e.g. 20A4.5X086 becomes 20C4.5X086

Group 2 Pump Seal Kits & Port Adaptors

Part #	Description
GR205-SK	Seal kit
GR205-SKV	Seal kit (viton)
GR205-SS	Shaft seal only
GR205-SSV	Shaft seal (viton) only
G205	Port adaptor: alloy elbow 4-bolt, mount PCD 35mm, female 1/2" BSPP
G206	Port adaptor: alloy elbow 4-bolt, mount PCD 40mm, female 3/4" BSPP



086



021

**TECH
DATA**

Group 2 Pump (German Standard) 2-Bolt KHD or IHC Mount, 1:5 Taper Shaft

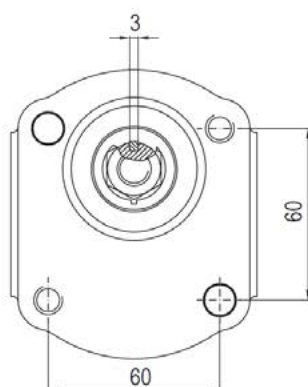
Part #	Part #	CC	Ports (Flanged)		Max Continuous Speed (RPM)	Max Continuous Pressure (Bar)
			Suction	Pressure		
20A4.5X007	20A4.5X008	4.5	G206	G205	3500	250
20A6.3X007	20A6.3X008	6.3	G206	G205	3500	250
20A8.2X007	20A8.2X008	8.2	G206	G205	3500	250
20A11X007	20A11X008	11	G206	G205	3500	250
20A14X007	20A14X008	14	G206	G205	3500	250
20A16X007	20A16X008	16	G206	G205	2500	250
20A19X007	20A19X008	19	G206	G205	2500	200
20A22X007	20A22X008	22	G206	G205	2000	180
20A25X007H	20A25X008H	25	G206	G205	2500	160

✦ Additional charges apply to non-standard pumps

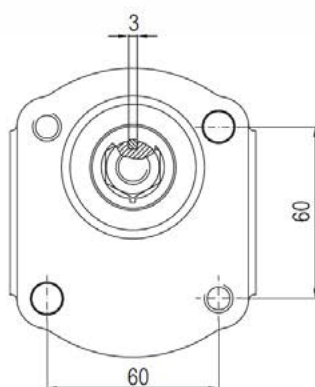
✦ For clockwise (CW) pumps, replace the A in the part number with C, e.g. 20A4.5X007 becomes 20C4.5X007

Group 2 Pump Seal Kits & Port Adaptors

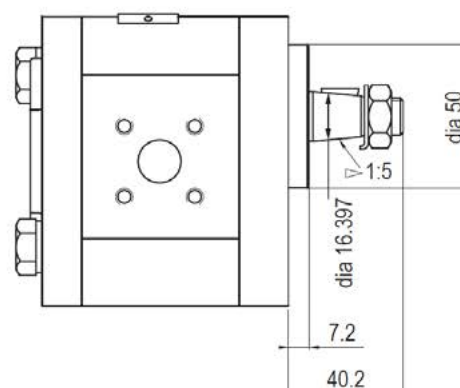
Part #	Description
GR205-SK	Seal kit
GR205-SKV	Seal kit (viton)
GR205-SS	Shaft seal only
GR205-SSV	Shaft seal (viton) only
G205	Port adaptor: alloy elbow 4-bolt, mount PCD 35mm, female 1/2" BSPP
G206	Port adaptor: alloy elbow 4-bolt, mount PCD 40mm, female 3/4" BSPP



KHD Mount



IHC Mount



TECH DATA

Group 2 Pump (German Standard) 2-Bolt KHD or SAE-A Mount, 9T Splined Shaft (16.5mm or 5/8")

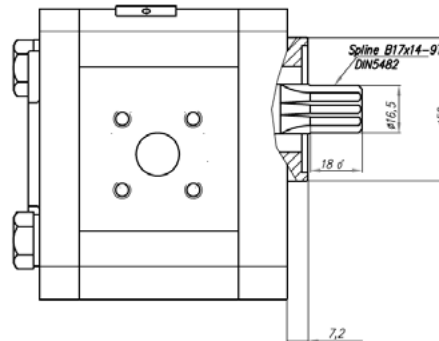
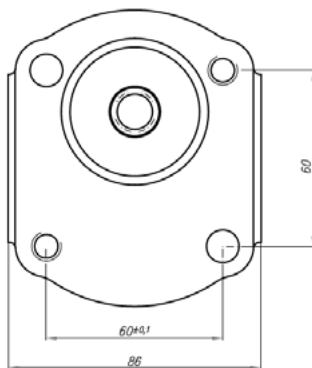
Part #	Part #	CC	Ports (Flanged)		Max Continuous Speed (RPM)	Max Continuous Pressure (Bar)
			Suction	Pressure		
KHD, 16.5mm 9T	SAE-A, 5/8" 9T					
20A4.5X205	20C4.5X104	4.5	G206	G205	3500	250
20A6.3X205	20C6.3X104	6.3	G206	G205	3500	250
20A8.2X205	20C8.2X104	8.2	G206	G205	3500	250
20A11X205	20C11X104	11	G206	G205	3500	250
20A14X205	20C14X104	14	G206	G205	3500	250
20A16X205	20C16X104	16	G206	G205	2500	250
20A19X205	20C19X104	19	G206	G205	2500	200
20A22X205	20C22X104	22	G206	G205	2000	180
20A25X205H	20C25X104H	25	G206	G205	2500	160

✦ Additional charges apply to non-standard pumps

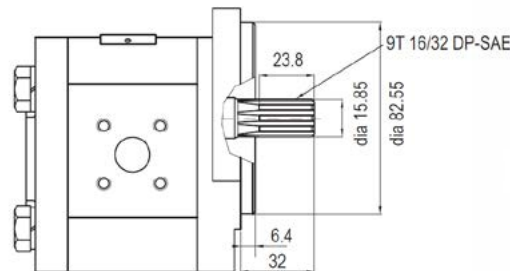
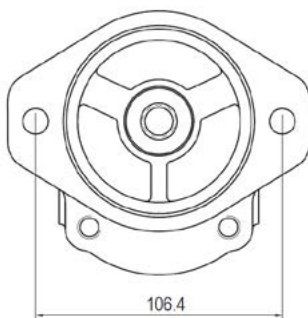
✦ For clockwise (CW) pumps, replace the A in the part number with C, e.g. 20A4.5X205 becomes 20C4.5X205 (and vice-versa)

Group 2 Pump Seal Kits & Port Adaptors

Part #	Description
GR205-SK	Seal kit
GR205-SKV	Seal kit (viton)
GR205-SS	Shaft seal only
GR205-SSV	Shaft seal (viton) only
G205	Port adaptor: alloy elbow 4-bolt, mount PCD 35mm, female 1/2" BSPP
G206	Port adaptor: alloy elbow 4-bolt, mount PCD 40mm, female 3/4" BSPP



KHD Mount



SAE Mount

**TECH
DATA**

Group 2 Pump SAE-A 2-Bolt Mount, 3/4" Shaft (11T Splined or Straight Keyed)

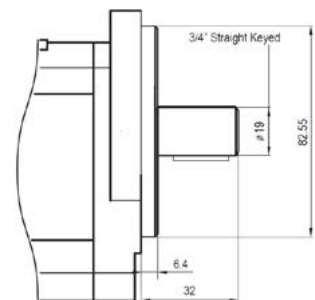
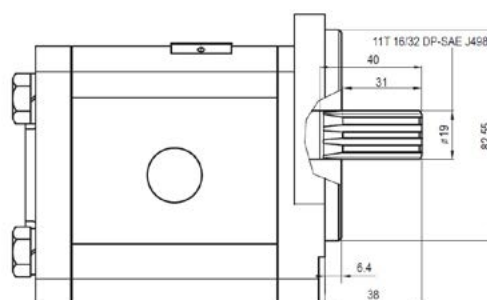
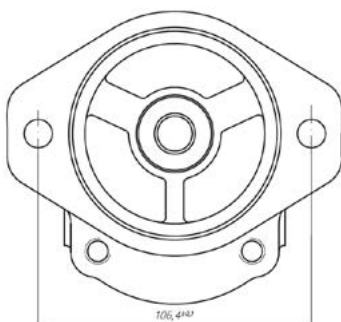
Part #	Part #	CC	Ports (UNF)		Max Continuous Speed (RPM)	Max Continuous Pressure (Bar)	Weight (Kg)
			Suction	Pressure			
20C14X550HDU Shaft: 11T Splined	20C14X853HDU Shaft: Straight Keyed	14	1.1/16"	7/8"	3500	250	4.2
20C16X550HDU	20C16X853HDU	16	1.1/16"	7/8"	3500	250	4.2
20C19X550HDU	20C19X853HDU	19	1.1/16"	7/8"	3500	230	4.3
20C22X550HDU	20C22X853HDU	22	1.1/16"	7/8"	3500	200	4.5
20C25X550HDU	20C25X853HDU	25	1.1/16"	7/8"	3500	200	4.9
20C28X550HDU	20C28X853HDU	28	1.5/16"	1.1/16"	2500	170	5
20C32X550HDU	20C32X853HDU	32	1.5/16"	1.1/16"	2500	150	5.3
20C36X550HDU	20C36X853HDU	36	1.5/16"	1.1/16"	2500	120	5.4

✦ Additional charges apply to non-standard pumps

✦ For counter-clockwise (CCW) pumps, replace the C in the part number with A, e.g. 20C14X550HDU becomes 20A14X550HDU

Group 2 Pump Seal Kits & Port Adaptors


Part #	Description
GR205-SK	Seal kit
GR205-SKV	Seal kit (viton)
GR205-SS	Shaft seal only
GR205-SSV	Shaft seal (viton) only




**TECH
DATA**

Group 2 Pump SAE-A 2-Bolt Mount, 17mm 10T Splined Shaft

Part #	CC	Ports (BSPP)		Max Continuous Speed (RPM)	Max Continuous Pressure (Bar)	Weight (Kg)
		Suction	Pressure			
20C8.2X554G	8.2	1/2"	1/2"	3500	250	3.5
20C11X554G	11.3	3/4"	1/2"	3500	250	3.7
20C14X554G	14	3/4"	1/2"	3500	250	3.8
20C16X554G	16	3/4"	1/2"	2500	250	3.9
20C19X554G	19	3/4"	1/2"	2500	200	4
20C22X554G	22	3/4"	1/2"	2000	180	4.2
20C25X554HG	25	3/4"	1/2"	2500	160	4.6
20C28X554HG	28	1"	3/4"	2500	130	4.7
20C32X554HG	32	1"	3/4"	2000	120	5

 Additional charges apply to non-standard pumps

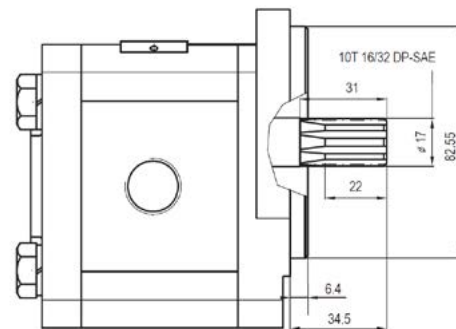
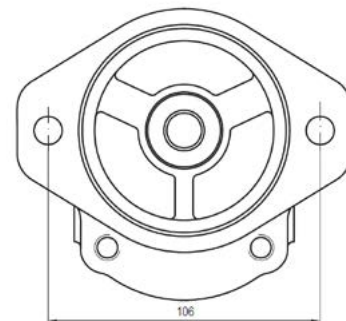
 For counter-clockwise (CCW) pumps, replace the C in the part number with A, e.g. 20C8.2X554G becomes 20A8.2X554G

Group 2 Pump Seal Kits & Port Adaptors

Part #	Description
GR205-SK	Seal kit
GR205-SKV	Seal kit (viton)
GR205-SS	Shaft seal only
GR205-SSV	Shaft seal (viton) only



MADE IN EUROPE



**TECH
DATA**

Group 3 Pump (European Standard) 4-Bolt Mount, 1:8 Tapered Shaft

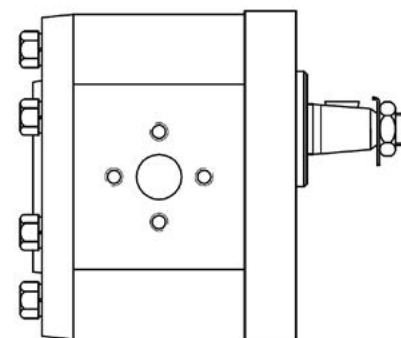
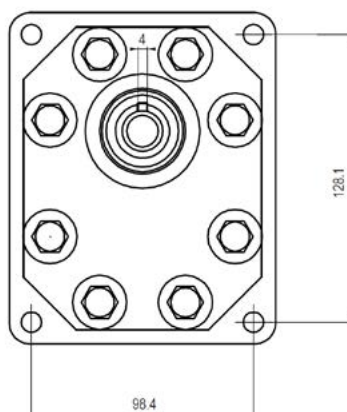
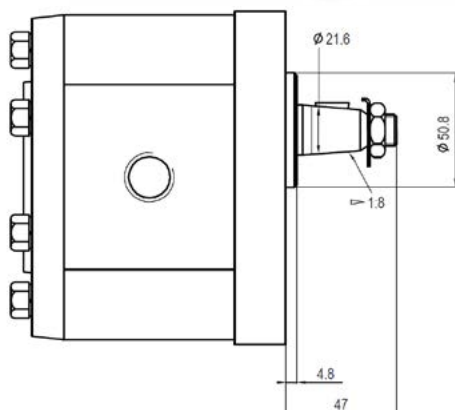
Part #	Part #	CC	Port		Max Continuous Speed (RPM)	Max Continuous Pressure (Bar)	Weight (Kg)
			Suction	Pressure			
30C20X163HG	30C20X146H	20	3/4"	3/4"	3000	250	8
30C25X163HG	30C25X146H	25	3/4"	3/4"	3000	250	8.2
30C32X163HG	30C32X146H	32	1"	3/4"	3000	250	8.8
30C36X163HG	30C36X146H	36	1"	3/4"	2800	250	9.1
30C42X163HG	30C42X146H	42	1"	3/4"	2500	230	9.3
30C46X163HG	30C46X146H	46	1"	3/4"	2300	230	9.6
30C50X163HG	30C50X146H	50	1"	3/4"	2100	200	9.8
30C55X163HG	30C55X146H	55	1"	3/4"	1750	200	9.9
30C60X163HG	30C60X146H	60	1"	3/4"	1750	180	10

✦ Additional charges apply to non-standard pumps

✦ For counter-clockwise (CCW) pumps, replace the C in the part number with A, e.g. 30C20X163HG becomes 30A20X163HG

Group 3 Pump Seal Kits & Port Adaptors

Part #	Description
GR305-SK	Seal kit
GR305-SKH	Seal kit - for H series
GR305-SKHV	Seal kit for H series (includes viton shaft seal)
GR305-SS	Shaft seal only
GR305-SSH	Shaft seal only - for H series
GR305-SSHV	Shaft seal only - for H series (includes viton shaft seal)
GR305-SST	Shaft seal only - high pressure (30 bar)
G3/4	Port adaptor: alloy elbow 2-bolt, mount PCD 40mm, female 3/4" BSPP
G1	Port adaptor: alloy elbow 2-bolt, mount PCD 50.8mm, female 1" BSPP



**TECH
DATA**

Group 3 Pump (American Standard) SAE-B 2-Bolt Mount, 7/8" Keyed or 13T Splined Shaft

Part #	Part #	CC	Port (BSPP)		Max Continuous Speed (RPM)	Max Continuous Pressure (Bar)	Weight (Kg)
			Suction	Pressure			
30C20X237HG	30C20X236HG	20	3/4"	3/4"	3000	250	8.5
30C25X237HG	30C25X236HG	25	3/4"	3/4"	3000	250	8.7
30C32X237HG	30C32X236HG	32	1"	3/4"	3000	250	9.3
30C36X237HG	30C36X236HG	36	1"	3/4"	2800	250	9.6
30C42X237HG	30C42X236HG	42	1"	3/4"	2500	230	9.8
30C46X237HG	30C46X236HG	46	1"	3/4"	2300	230	10.1
30C50X237HG	30C50X236HG	50	1"	3/4"	2100	200	10.3
30C55X237HG	30C55X236HG	55	1"	3/4"	1750	200	10.4
30C60X237HG	30C60X236HG	60	1"	3/4"	1750	180	10.6

✦ Additional charges apply to non-standard pumps

✦ For counter-clockwise (CCW) pumps, replace the C in the part number with A, e.g. 30C20X237HG becomes 30A20X237HG

Group 3 Pump Seal Kits

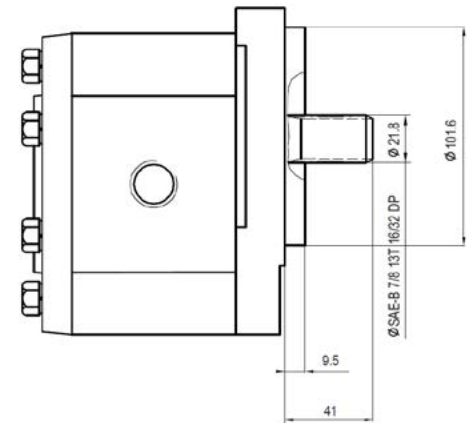
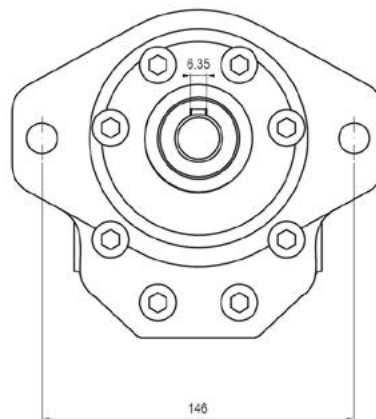
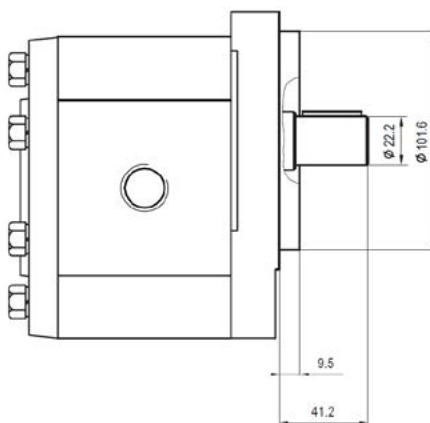
Part #	Description
GR305-SK	Seal kit
GR305-SKH	Seal kit - for H series
GR305-SS	Shaft seal only
GR305-SSH	Shaft seal only - for H series
GR305-SSHV	Shaft seal (viton) only - for H series



237HG



236HG



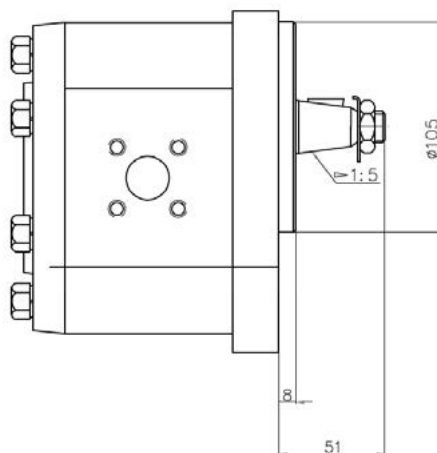
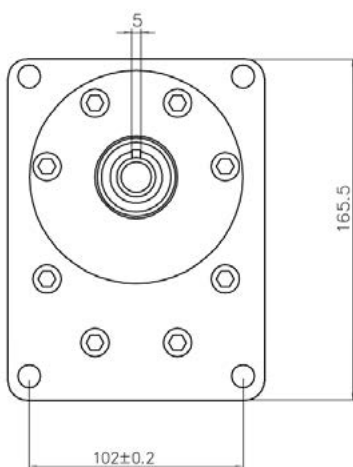
TECH DATA

Group 3 Pump (German Standard) 4-bolt Mount, 1:5 Tapered Shaft

Part #	CC	Ports (Flanged)		Max Continuous Speed (RPM)	Max Continuous Pressure (Bar)	Weight (Kg)
		Suction	Pressure			
30A25X337H	25	G206	G206	3000	250	9.4
30A32X337H	32	G207	G207	3000	250	10
30A36X337H	36	G207	G207	2800	250	10.3
30A42X337H	42	G207	G207	2500	230	10.5
30A46X337H	46	G207	G207	2300	230	10.8
30A50X337H	50	G207	G207	2100	200	11

✦ Additional charges apply to non-standard pumps

✦ For clockwise (CW) pumps, replace the A in the part number with C, e.g. 30A25X337H becomes 30C25X337H



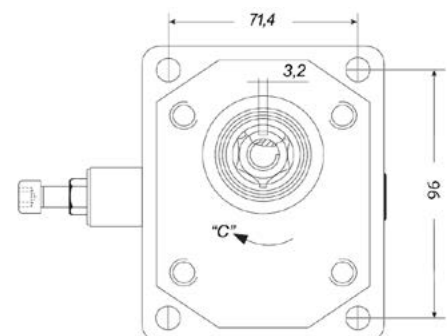
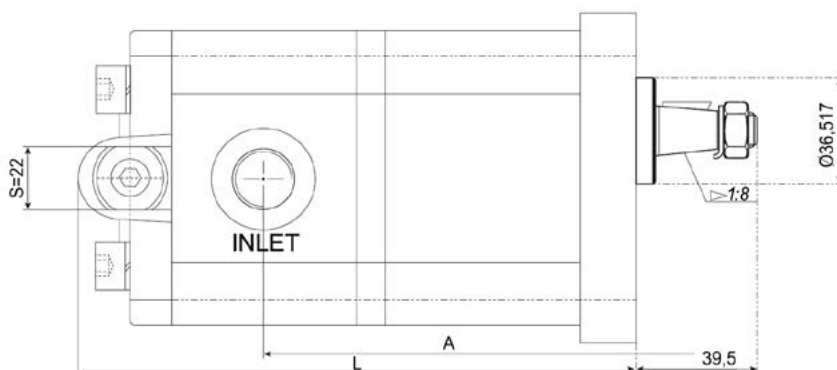
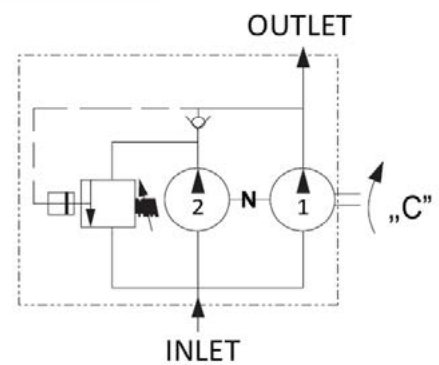
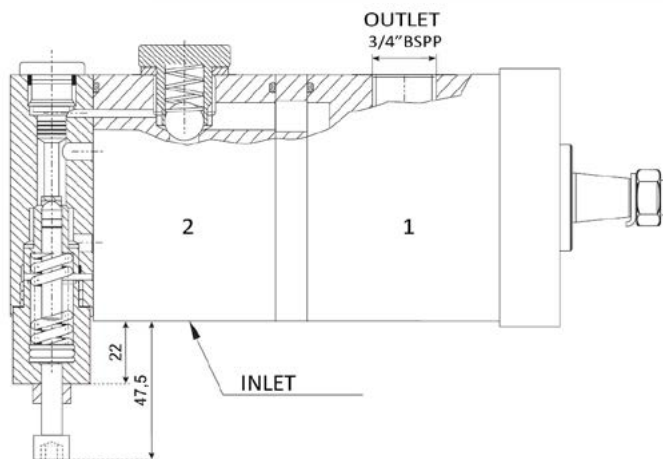
**TECH
DATA**

Caproni Log Splitter Pumps

Part #	CC		Max Cont. Pressure		Max Cont. Speed	Unload Pressure Adjustment Range	Ports (BSPP)		Dimension (mm)	
	1	2	1	2			Inlet	Outlet	L	A
22C4.5/11X956GHL	4.5	11	250 bar	50 bar	3500 rpm	20-50 bar	3/4"	3/4"	165.54	105
22C8.2/14X956GHL	8.2	14	250 bar	50 bar	3500 rpm	20-50 bar	3/4"	3/4"	175.79	113.1
22C10/19X956GHL	10	19	250 bar	50 bar	3500 rpm	20-50 bar	1"	3/4"	186.91	120.2
22C15/25X956GHL	15	25	250 bar	50 bar	2500 rpm	20-50 bar	1"	3/4"	204.8	133.1



MADE IN EUROPE

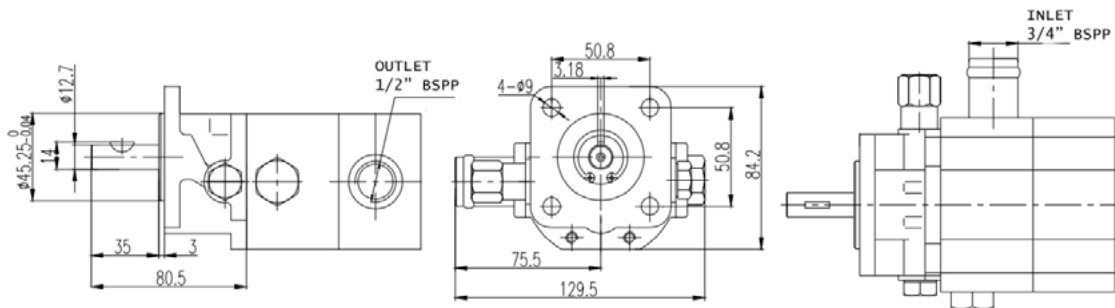


**TECH
DATA**

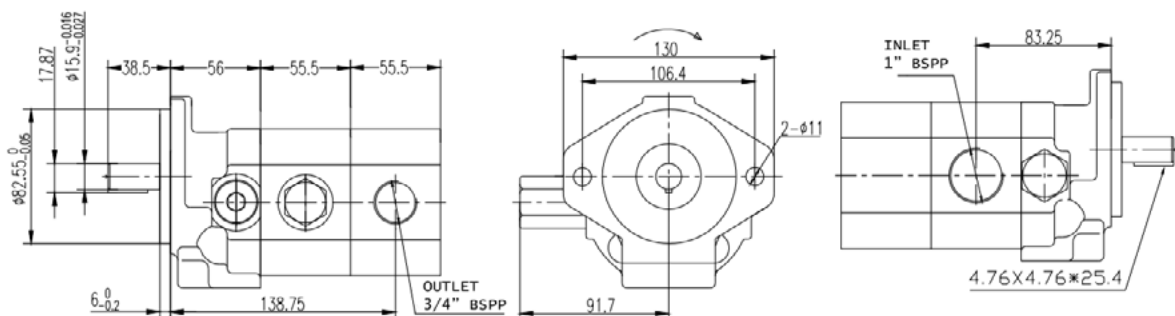
Log Splitter Pumps

Part #	CC Hi-Flow	CC Lo-Flow	Unload Pressure Range	Maximum Pressure	Inlet Port	Outlet Port
CBT8.8/2.1-L08-C	8.8	2.1	30-60 bar	200 bar	3/4" BSPP	1/2" BSPP
CBT8.8/3.0-L08-C	8.8	3.0	30-60 bar	200 bar	3/4" BSPP	1/2" BSPP
CBT13.0/2.1-L08-C	13.0	2.1	30-60 bar	200 bar	3/4" BSPP	1/2" BSPP
CBT13.0/3.0-L08-C	13.0	3.0	30-60 bar	200 bar	3/4" BSPP	1/2" BSPP
CBT13.0/4.2-L08-C	13.0	4.2	30-60 bar	200 bar	3/4" BSPP	1/2" BSPP
CBT15.2/7.6-L03-C	15.2	7.6	30-60 bar	200 bar	1" BSPP	3/4" BSPP
CBT22.9/7.6-L03-C	22.9	7.6	30-60 bar	200 bar	1" BSPP	3/4" BSPP

CBT8/13



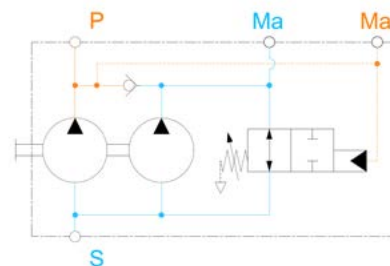
CBT15/22



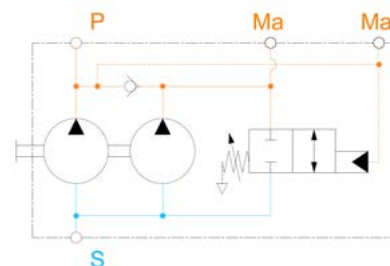
**TECH
DATA**

Group 2 Hi-Lo Gear Pumps, 4-bolt DIN Mount, 1/8" Tapered Shaft

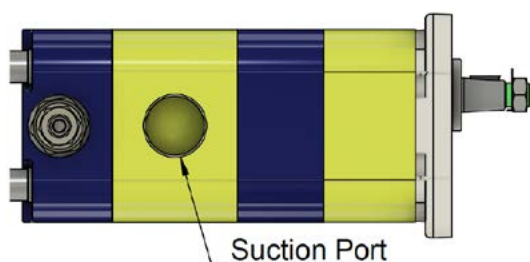
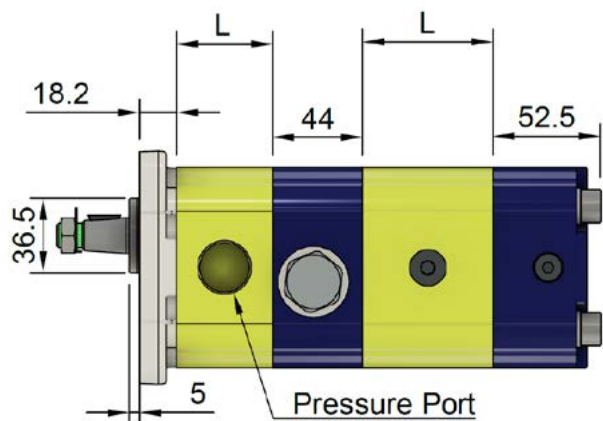
Part #	Maximum Torque (Nm)	Hi Flow (cc)	Lo Flow (cc)	Min/Max Speed (RPM)	Unloading Pressure Range (bar)	Max. Cont. Pressure (bar)	Inlet Port (BSPP)	Outlet Port (BSPP)	Ma Port (BSPP)	Mb Port (BSPP)	
9B202EGD4147	86.2	10.8	4.2	700/3500	14-70	260	1"	3/4"	1/8"	1/4"	NEW
9B202EGD4149	86.2	14.4	4.2	700/3500	14-70	260	1"	3/4"	1/8"	1/4"	NEW
9B202EGD4347	86.2	10.8	6.0	700/3500	14-70	260	1"	3/4"	1/8"	1/4"	NEW
9B202EGD4551	86.2	16.8	8.4	700/3500	14-70	260	1"	3/4"	1/8"	1/4"	NEW
9B202EGD4555	86.2	22.9	8.4	700/2620	14-70	260	1"	3/4"	1/8"	1/4"	NEW



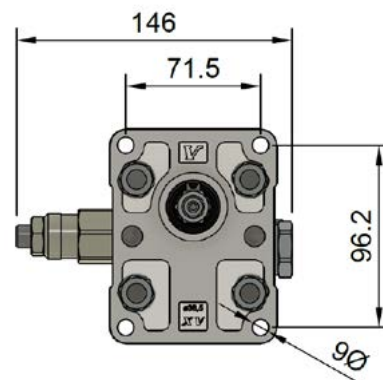
Hi-pressure / Lo-flow stage



Hi-flow / Lo-pressure stage



Dimensions							
Displacement (cc)	4.2	6.0	8.4	10.8	14.4	16.8	22.9
Dimension L (mm)	47	50	54	58	64	68	78



TECH DATA

SERIES	BODY	NO. OF ELEMENTS	FLANGE/ROTATION	SHAFT	PORTS	REAR COVER	PUMP DISPLACEMENT <i>(Add additional pumps as required)</i>				TOTAL LIST PRICE \$
							55	27	-	-	
9	M	2	02	E	G	B	55	27	-	-	
List Price \$	-		-	-	-				-	-	

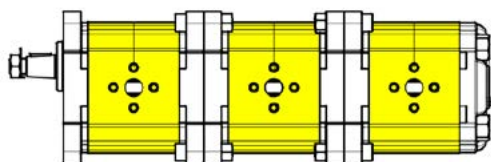
The example part number above (9M202EGB5527) has list price \$1638.00 and features:

- standard body
- pump elements x 2 (requires 2 + 1 pump connector kit)
- DIN flange, clockwise (right) rotation
- group 2 DIN 1:8 taper shaft
- BSPP ports
- rear cover suction port
- front pump group 2 (55cc), rear pump group 1 (27cc)

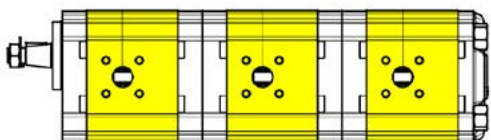


BODY SHAPE

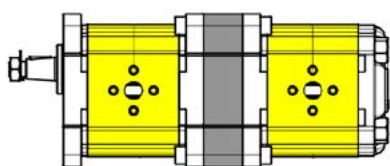
M Standard



S Shaped



T Separated



NO. OF ELEMENTS *(select appropriate connector kit)*

Elements	Pump Connector Kits	List Price \$		
		M	S	T
2+	Group 0 + Group 0		n/a	n/a
	1 + 0		n/a	n/a
	1 + 1			
	2 + 1		n/a	
	2 + 0		n/a	n/a
	2 + 2			
	3 + 1		n/a	n/a
	3 + 0		n/a	n/a
	3 + 2			
	3 + 3		n/a	n/a

FLANGE/ROTATION

DIN - CW	DIN - CCW	SAE - CW	SAE - CCW	PUMP GROUP
02	01	-	-	Group 0
02	01	62	61	Group 1
02	01	52	51	Group 2
02	01	32	31	Group 3

PORTS

G	BSPP
----------	------

✦ Other port options available ex-Vivoil on request

SHAFT

A	Group 0	7mm Keyed
F	Group 1	DIN 1:8 Taper
E	Group 2	DIN 1:8 Taper
I		5/8" 9T Spline SAE A
B	Group 3	5/8" Keyed SAE A
A		DIN 1:8 Taper
H		7/8" Keyed SAE B
I		7/8" 13T Spline SAE B

✦ Other shaft options available ex-Vivoil on request

REAR COVER

		List Price \$		
		GROUP 1	GROUP 2	GROUP 3
A	Standard blank cover	no charge	no charge	no charge
B	Rear suction port			
C	Rear pressure port			
D	Rear suction & pressure ports			
O	Rear relief with internal drain			n/a

PUMP DISPLACEMENT

GROUP 0 PUMP (cc)		GROUP 1 PUMP (cc)		GROUP 2 PUMP (cc)		GROUP 3 PUMP (cc)	
01	0.16	16	0.91	41	4.20	66	14.89
02	0.24	17	1.17	43	6.00	68	17.37
04	0.45	18	1.56	45	8.40	70	21.10
05	0.56	20	2.08	47	10.80	72	26.97
06	0.75	21	2.60	49	14.40	74	32.27
07	0.92	23	3.12	51	16.80	78	38.47
09	1.26	25	3.64	53	19.20	79	43.44
11	1.48	27	4.16	55	22.80	80	47.16
13	2.28	29	4.94	57	26.20	81	50.88
		31	5.85	59	30.00	82	54.60
		32	6.50	61	34.20	83	60.81
		34	7.54	63	39.60	85	64.53
		36	9.88			86	70.74
						87	74.46
						89	86.87



**TECH
DATA**

No. OF ELEMENTS (IN PUMP GROUP SEQUENCE)			ROTATION	PUMP 1 DISP.	PUMP 1 CODE	/	PUMP 2 DISP.	PUMP 2 CODE	/	PUMP 3 DISP.	PUMP 3 CODE	TOTAL LIST PRICE \$
3	2	1	C	20	X198HG	/	6.3	X226G	/	1.25	X142G	

Example part number above (321C20X198HG/6.3X226G/1.25X142G) has list \$2216.00 and features:
 3 pumps, clockwise rotation, 4-bolt Euro mount, 1.8 tapered shaft, BSPP threaded ports
 Front: Group 3 pump 20cc, Middle: Group 2 pump, 6.3cc, Rear: Group 1 pump 1.25cc

PUMP ELEMENT GROUP CODES	
1	Group 1
2	Group 2
3	Group 3

ROTATION	
C	Clockwise
A	Anti-Clockwise

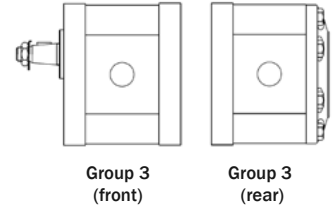
🔧 Repeat this section for each element.
 Example: 332 represents Group 3/Group 3/Group 2 pumps

PUMP DISPLACEMENT					
GROUP 1 PUMP (cc)		GROUP 2 PUMP (cc)		GROUP 3 PUMP (cc)	
1	1.0cc	4.5	4.5cc	20	20.0cc
1.25	1.25cc	6.3	6.3cc	25	25.0cc
1.6	1.6cc	8.2	8.2cc	32	32.0cc
2	2cc	11	11.0cc	36	36.0cc
2.5	2.5cc	14	14.0cc	42	42.0cc
3.15	3.15cc	16	16.0cc	46	46.0cc
3.65	3.65cc	19	19.0cc	50	50.0cc
4.2	4.2cc	22	22.0cc	55	55.0cc
5	5.0cc	25	25.0cc	60	60.0cc
5.7	5.7cc				
6.1	6.1cc				

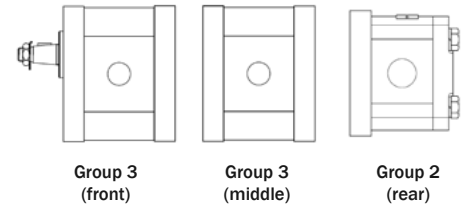
🔧 Each displacement MUST be configured with a design code. This MUST be repeated for each element.
 Example: 4.5156G/5142G



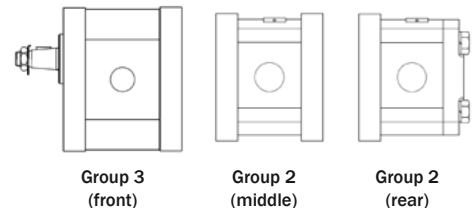
Pump Combination: Group 3 + Group 3			PUMP 1 CODE	PUMP 2 CODE
Shafts	Mounting	Ports		
1:8 tapered	4-bolt Euro	BSPP threaded	X241HG	X242HG
7/8" 13T splined	2-bolt SAE-B	BSPP threaded	X309HG	X242HG



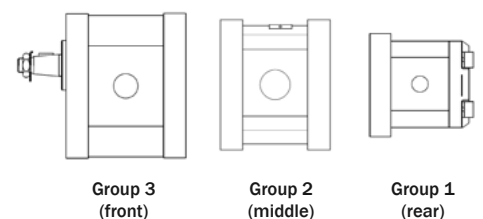
Pump Combination: Group 3 + Group 3 + Group 2			PUMP 1 CODE	PUMP 2 CODE	PUMP 3 CODE
Shafts	Mounting	Ports			
1:8 Tapered	4-bolt Euro	BSPP threaded	X241HG	X325HG	X201G
7/8" 13T Splined	2-bolt SAE-B	BSPP threaded	X309HG	X325HG	X201G



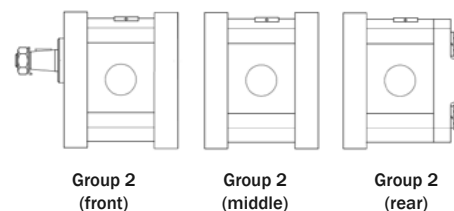
Pump Combination: Group 3 + Group 2 + Group 2			PUMP 1 CODE	PUMP 2 CODE	PUMP 3 CODE
Shafts	Mounting	Ports			
1:8 Tapered	4-bolt Euro	BSPP threaded	X198HG	X327G	X201G
7/8" 13T Splined	2-bolt SAE-B	BSPP threaded	X245HG	X327G	X201G



Pump Combination: Group 3 + Group 2 + Group 1			PUMP 1 CODE	PUMP 2 CODE	PUMP 3 CODE
Shafts	Mounting	Ports			
1:8 Tapered	4-bolt Euro	BSPP threaded	X198HG	X226G	X142G
7/8" 13T Splined	2-bolt SAE-B	BSPP threaded	X245HG	X226G	X142G



Pump Combination: Group 2 + Group 2 + Group 2			PUMP 1 CODE	PUMP 2 CODE	PUMP 3 CODE
Shafts	Mounting	Ports			
1:8 tapered	4-bolt Euro	BSPP threaded	X111G	X156G	X110G
1:8 tapered	4-bolt Euro	Flanged - diamond	X067	X156	X066
1:5 tapered	4-bolt German	Flanged German - square	X158	X156B	X161
1:5 tapered	2-bolt German KHD	Flanged German - square	X095	X156B	X097
16.5mm 9T splined	4-bolt German	Flanged German - square	X124	X156B	X077
16.5mm 9T splined	2-bolt German KHD	Flanged German - square	X096	X156B	X097
5/8" keyed	2-bolt SAE-A	BSPP threaded	X457G	X156G	X110G
5/8" 9T splined	2-bolt SAE-A	BSPP threaded	X167G	X156G	X110G
5/8" 9T splined	2-bolt SAE-A	Flanged German - square	X468	X156B	X077
17.4mm 10T splined	2-bolt SAE-A	BSPP threaded	X574G	X156G	X110G
16.8mm 15T splined	4-bolt German	Flanged German - square	X259	X156B	X097
3/4" 11T splined	2-bolt SAE-A	BSPP threaded	656HG	-	X110G

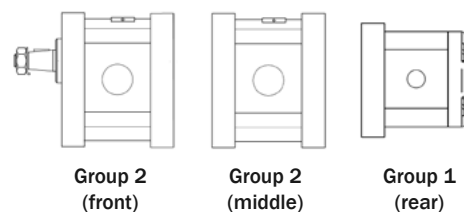


Group 2 (front)

Group 2 (middle)

Group 2 (rear)

Pump Combination: Group 2 + Group 2 + Group 1			PUMP 1 CODE	PUMP 2 CODE	PUMP 3 CODE
Shafts	Mounting	Ports			
1:8 Tapered	4-bolt Euro	BSPP threaded	X111G	X178G	X142G
1:8 Tapered	4-bolt Euro	Flanged - diamond	X067	X178	X179

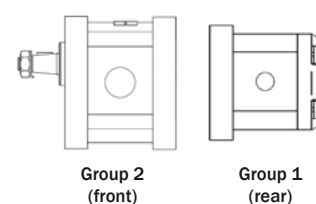


Group 2 (front)

Group 2 (middle)

Group 1 (rear)

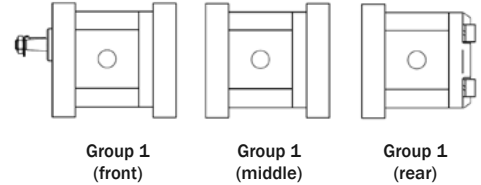
Pump Combination: Group 2 + Group 1			PUMP 1 CODE	PUMP 2 CODE
Shafts	Mounting	Ports		
1:8 Tapered	4-bolt Euro	BSPP threaded	X141G	X142G
1:8 Tapered	4-bolt Euro	Flanged - diamond	X168	X179



Group 2 (front)

Group 1 (rear)

Pump Combination: Group 1 + Group 1 + Group 1			PUMP 1 CODE	PUMP 2 CODE	PUMP 3 CODE
Shafts	Mounting	Ports			
1:8 Tapered	4-bolt Euro	BSPP threaded	X181G	X303G	X182G
1:8 Tapered	4-bolt Euro	Flanged - square	X174	X303	X175



Pump Connector Kits

Part #	Connection
G3-COUPLING	Group 3 + Group 3
G2-COUPLING	Group 3 + Group 2
	Group 2 + Group 2
G2-1COUPLING	Group 2 + Group 1
G1-COUPLING	Group 1 + Group 1

Group 1 Pump Seal Kits

Part #	Description
GR105-SK	Seal kit - includes all seals for a single Group 1 section of a multiple pump (use one kit per section)

Group 2 Pump Seal Kits

Part #	Description
GR205-SK	Seal kit - includes all seals for a Group 2 front pump
GR205M-SK	Seal kit - includes all seals for a Group 2 middle pump used in a Group 2+2+2 arrangement
GR205R-SK	Seal kit - includes all seals for a Group 2 rear pump used in a Group 2+2 or 2+2+2 arrangement
GR205FHU-SK	Seal kit - series 656DU only. Includes all seals for front pump section. Rear pump requires GR205R-SK kit.
GR105-SK	Seal kit - includes all seals for a Group 1 rear section used in a Group 2+1 arrangement

Group 3 Pump Seal Kits

Part #	Description
GR305F-SKH	Seal kit - includes all seals for a Group 3 front pump
GR305R-SK	Seal kit - includes all seals for a Group 3 middle or rear pump
GR205R-SK	Seal kit - includes all seals for a Group 2 rear pump used in a Group 3+2 arrangement

**TECH
DATA**

SERIES	ROTATION		PORTS		MOTOR CODE		PUMP CODE	
X1MP	01		G		16		16	
					Displacement (cc)		Displacement (cc)	
	01	CW	G	BSPP	16	0.91	16	0.91
	02	CCW			17	1.17	17	1.17
					18	1.56	18	1.56
					20	2.08	20	2.08
					21	2.60	21	2.60
					23	3.12	23	3.12
					25	3.64	25	3.64
					27	4.16	27	4.16
					29	4.94	29	4.94
					31	5.85	31	5.85
					32	6.50	32	6.50
					34	7.54	34	7.54
					36	9.88	36	9.88

NEW



Cost of joiner kit is included

Group 1 to Group 1 Hydraulic Driven Gear Pump

Pump & Motor					Pump		Motor		Connector
Displacement (cc)	Max Torque (Nm)	Max Pressure (bar)		Max/Min Speed (RPM)	Ports (BSPP)		Ports (BSPP)		Case Drain (BSPP)
		Working	Peak		S	P	Inlet/Outlet	Case Drain	
0.91	42.8	240	280	700/6000	3/8"	3/8"	3/8"	1/4"	1/8"
1.17	42.8	250	290	700/6000	3/8"	3/8"	3/8"	1/4"	1/8"
1.56	42.8	250	290	700/6000	3/8"	3/8"	3/8"	1/4"	1/8"
2.08	42.8	250	290	700/6000	3/8"	3/8"	3/8"	1/4"	1/8"
2.60	42.8	250	300	700/6000	3/8"	3/8"	3/8"	1/4"	1/8"
3.12	42.8	250	300	700/6000	1/2"	3/8"	3/8"	1/4"	1/8"
3.64	42.8	250	300	700/6000	1/2"	3/8"	3/8"	1/4"	1/8"
4.16	42.8	250	300	700/6000	1/2"	3/8"	3/8"	1/4"	1/8"
4.94	42.8	250	300	700/6000	1/2"	3/8"	3/8"	1/4"	1/8"
5.85	42.8	250	300	700/5000	1/2"	3/8"	3/8"	1/4"	1/8"
6.50	42.8	250	300	700/5000	1/2"	3/8"	3/8"	1/4"	1/8"
7.54	42.8	220	260	700/5000	1/2"	3/8"	3/8"	1/4"	1/8"
9.88	42.8	190	330	700/4000	1/2"	3/8"	3/8"	1/4"	1/8"



MADE IN EUROPE

**TECH
DATA**

SERIES	ROTATION		PORTS		MOTOR CODE		PUMP CODE	
X2MP	01		G		41		41	
					Displacement (cc)		Displacement (cc)	
	01	CW	G	BSPP	41	4.2	41	4.20
	02	CCW			43	6.0	43	6.00
					45	8.4	45	8.40
					47	10.8	47	10.80
					49	14.4	49	14.40
					51	16.8	51	16.80
					53	19.2	53	19.20
					55	22.8	55	22.80
					57	26.2	57	26.20
					59	30.0	59	30.00
					61	34.2	61	34.20
					63	39.6	63	39.60

NEW



Cost of joiner kit is included

Group 2 to Group 2 Hydraulic Driven Gear Pump

Pump & Motor					Pump		Motor		Connector
Displacement (cc)	Max Torque (Nm)	Max Pressure (bar)		Max/Min Speed (RPM)	Ports (BSPP)		Ports (BSPP)		Case Drain (BSPP)
		Working	Peak		S	P	Inlet/Outlet	Case Drain	
4.2	86.1	260	300	700/3500	1/2"	1/2"	1/2"	1/4"	1/4"
6.0	86.1	260	300	700/3500	1/2"	1/2"	1/2"	1/4"	1/4"
8.4	86.1	260	300	700/3500	3/4"	1/2"	1/2"	1/4"	1/4"
10.8	86.1	260	300	700/3500	3/4"	1/2"	1/2"	1/4"	1/4"
14.4	86.1	249	249	700/3500	3/4"	1/2"	3/4"	1/4"	1/4"
16.8	86.1	213	213	700/3500	1"	3/4"	3/4"	1/4"	1/4"
19.2	86.1	187	187	700/3000	1"	3/4"	3/4"	1/4"	1/4"
22.8	86.1	157	157	700/3000	1"	3/4"	3/4"	1/4"	1/4"
26.2	86.1	137	137	700/3000	1"	3/4"	1"	1/4"	1/4"
30.0	86.1	119	119	700/2500	1"	3/4"	1"	1/4"	1/4"
34.2	86.1	105	105	700/2500	1"	3/4"	1"	1/4"	1/4"
39.6	86.1	90	90	700/2000	1"	3/4"	1"	1/4"	1/4"



MADE IN EUROPE

Series	Group	Motor	DISP.	FLANGE	SHAFT	INLET	OUTLET	REAR
X	1	M	27	01	F	B	B	E

DISPLACEMENT

16	0.91cc
17	1.17cc
18	1.56cc
20	2.08cc
21	2.60cc
23	3.12cc
25	3.64cc
27	4.16cc
29	4.94cc
31	5.85cc
32	6.50cc
34	7.54cc
36	9.88cc

PORTS

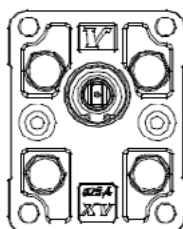
INLET	OUTLET	
B	B	0.9cc
B	B	1.2cc
B	B	1.7cc
B	B	2.2cc
B	B	2.6cc
B	B	3.2cc
B	B	3.6cc
B	B	4.3cc
B	B	4.9cc
B	B	5.9cc
B	B	6.5cc
B	B	7.8cc
B	B	9.8cc

B: 3/8" BSPP

FLANGE

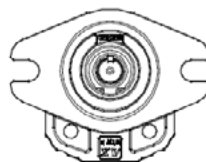
01

DIN Group 1



02

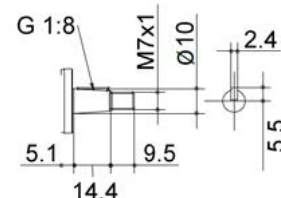
SAE-AA



SHAFT

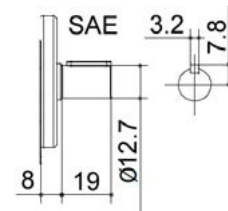
F

Tapered
1:8 Ø 10mm
M7x1
Key 2.4mm
Shaft Torque
43Nm



B

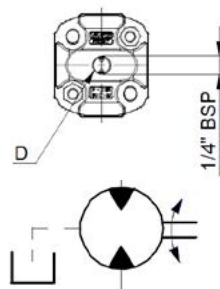
Parallel
Ø 1/2"
Key 3.2mm
Shaft Torque
32.8Nm



REAR COVER

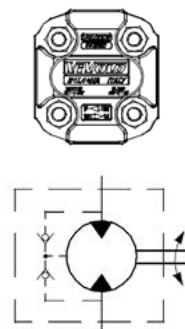
E

External drain



F

Internal drain



Additional costs apply for non-standard options

**TECH
DATA**

Group 1 Motor DIN Mount, 1:8 Tapered Shaft

Part #	CC	Max Pressure (bar)		Min Start Pressure (bar)	Max/Min Speed (RPM)	Inlet & Outlet Port	Case Drain	Dimension (mm)		
		Inlet	Drain					A	B	C
X1M1601FBBE	0.91	240	6	30	6000/700	3/8" BSPP	3/8" BSPP	78.1	37.3	66.1
X1M1701FBBE	1.17	250	6	30	6000/700	3/8" BSPP	3/8" BSPP	79.0	37.8	67.0
X1M1801FBBE	1.56	250	6	30	6000/700	3/8" BSPP	3/8" BSPP	80.5	38.5	68.5
X1M2001FBBE	2.08	250	6	25	6000/700	3/8" BSPP	3/8" BSPP	82.5	39.5	70.5
X1M2101FBBE	2.60	250	6	20	6000/700	3/8" BSPP	3/8" BSPP	84.5	40.5	72.5
X1M2301FBBE	3.12	250	6	15	6000/700	3/8" BSPP	3/8" BSPP	86.5	41.5	74.5
X1M2501FBBE	3.64	250	6	15	6000/700	3/8" BSPP	3/8" BSPP	88.5	42.5	76.5
X1M2701FBBE	4.16	250	6	15	6000/700	3/8" BSPP	3/8" BSPP	90.5	43.5	78.5
X1M2901FBBE	4.94	250	6	15	6000/700	3/8" BSPP	3/8" BSPP	93.5	45.0	81.5
X1M3101FBBE	5.85	250	6	15	5000/700	3/8" BSPP	3/8" BSPP	97.0	46.8	85.0
X1M3201FBBE	6.50	250	6	10	5000/700	3/8" BSPP	3/8" BSPP	98.5	48.0	86.5
X1M3401FBBE	7.54	220	6	10	5000/700	3/8" BSPP	3/8" BSPP	103.5	50.0	91.5
X1M3601FBBE	9.88	190	6	10	4000/700	3/8" BSPP	3/8" BSPP	112.5	54.5	100.5

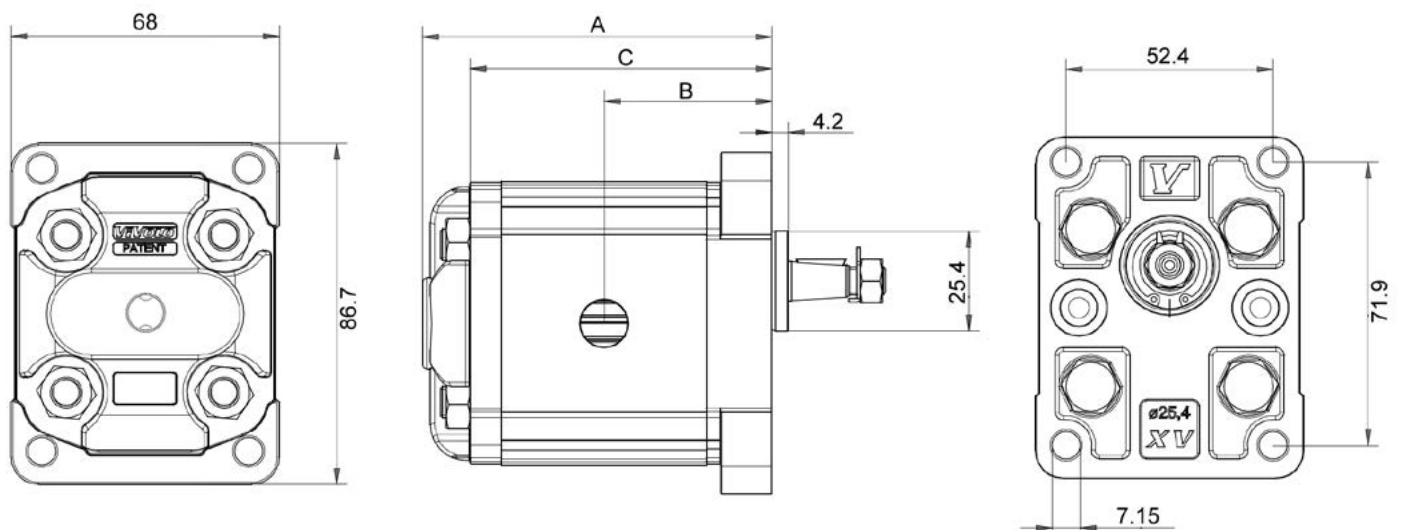
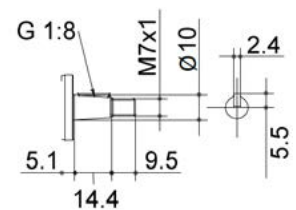


Group 1 Motor Seal Kit

Part #	Material
8KGX1M1.A	NBR
8KGX1M1.V	Viton



MADE IN EUROPE



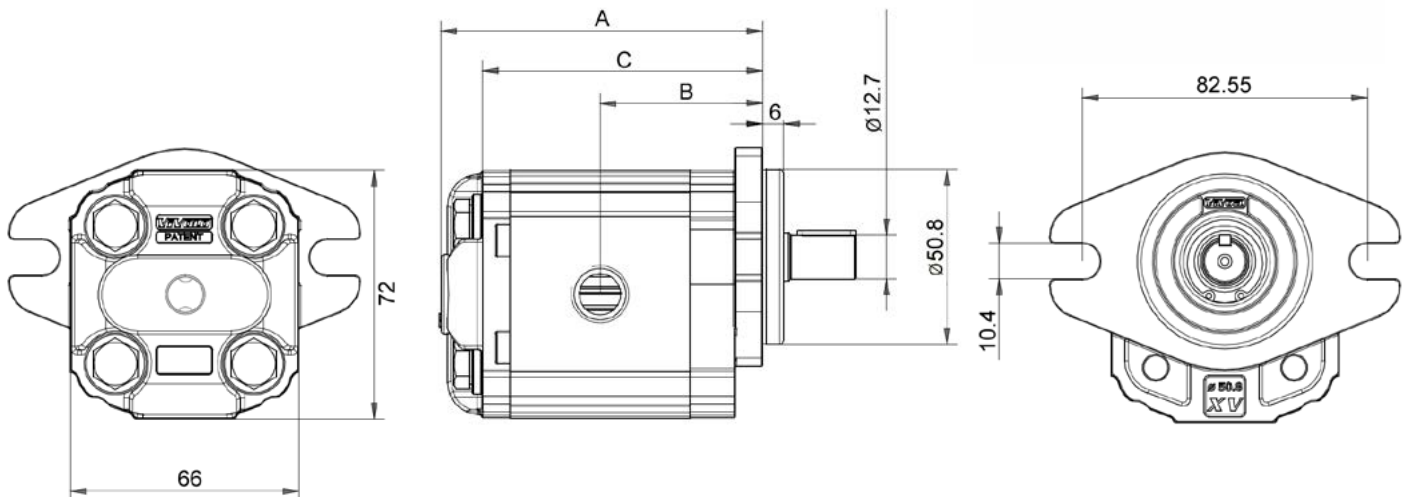
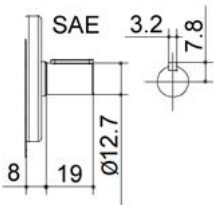
**TECH
DATA**

Group 1 Motor SAE AA Mount, 1/2" Keyed Shaft

Part #	CC	Max Pressure (bar)		Min Start Pressure (bar)	Max/Min Speed (RPM)	Inlet & Outlet Port	Case Drain	Dimension (mm)		
		Inlet	Drain					A	B	C
X1M1661BBBE	0.91	240	6	30	6000/700	3/8" BSPP	3/8" BSPP	82.6	41.8	70.6
X1M1761BBBE	1.17	250	6	30	6000/700	3/8" BSPP	3/8" BSPP	83.5	42.3	71.5
X1M1861BBBE	1.56	250	6	30	6000/700	3/8" BSPP	3/8" BSPP	85.0	43.0	73.0
X1M2061BBBE	2.08	250	6	25	6000/700	3/8" BSPP	3/8" BSPP	87.0	44.0	75.0
X1M2161BBBE	2.60	250	6	20	6000/700	3/8" BSPP	3/8" BSPP	89.0	45.0	77.0
X1M2361BBBE	3.12	250	6	15	6000/700	3/8" BSPP	3/8" BSPP	91.0	46.5	79.0
X1M2561BBBE	3.64	250	6	15	6000/700	3/8" BSPP	3/8" BSPP	93.0	47.0	81.0
X1M2761BBBE	4.16	250	6	15	6000/700	3/8" BSPP	3/8" BSPP	95.0	48.0	83.0
X1M2961BBBE	4.94	250	6	15	6000/700	3/8" BSPP	3/8" BSPP	98.0	49.5	86.0
X1M3161BBBE	5.85	250	6	15	5000/700	3/8" BSPP	3/8" BSPP	101.5	51.3	89.5
X1M3261BBBE	6.50	250	6	10	5000/700	3/8" BSPP	3/8" BSPP	105.0	52.5	93.0
X1M3461BBBE	7.54	220	6	10	5000/700	3/8" BSPP	3/8" BSPP	108.0	54.5	96.0
X1M3661BBBE	9.88	177	6	10	4000/700	3/8" BSPP	3/8" BSPP	117.0	59.0	105.0

Group 1 Motor Seal Kit

Part #	Material
8KGX1M1.A	NBR
8KGX1M1.V	Viton



SERIES	GROUP	MOTOR	DISP.	FLANGE	SHAFT	INLET	OUTLET	REAR
X	2	M*	51	31	A	C	C	F

* for uni-direction motors, replace the **M** with a **U** and select the flange code from the pump group on page 144

DISPLACEMENT

41	4.2cc
43	6.0cc
45	8.4cc
47	10.8cc
49	14.4cc
51	16.8cc
53	19.2cc
55	22.8cc
57	26.2cc
59	30.0cc
61	34.2cc
63	39.6cc

PORTS

INLET	OUTLET	
B	B	4.2cc
B	B	6.0cc
B	B	8.4cc
B	B	10.8cc
C	C	14.4cc
C	C	16.8cc
C	C	19.2cc
C	C	22.8cc
D	D	26.2cc
D	D	30.0cc
D	D	34.2cc
D	D	39.6cc

B: 1/2" BSPP, C: 3/4" BSPP, D: 1" BSPP

FLANGE

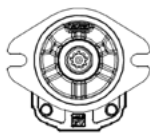
01

DIN



31

SAE-A



1RE

DIN
Bearing Carrier
1:8 Taper Shaft



25

Ø80 German
Standardized



13

Ø50 HY
German
Standard
(mount holes
yellow)



07

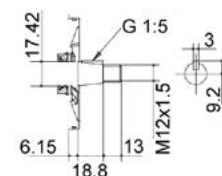
Ø50 BH
German
Standard
(mount holes
yellow)



SHAFT

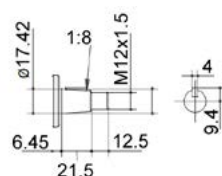
F (German mount only)

Tapered
1:5 Ø 17.4mm
M12x1.5
Key 3mm
Shaft Torque
233.2Nm



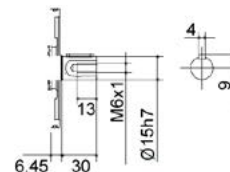
E

Tapered
1:8 Ø 17.2mm
M12x1.5
Key 4mm
Shaft Torque
233.3Nm



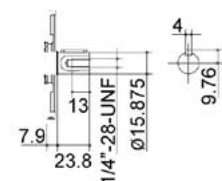
A

Parallel
Ø 15mm
Key 4mm
Shaft Torque
44.1Nm



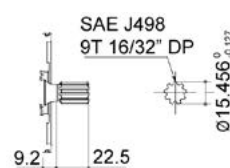
B

Parallel
Ø 5/8"
Key 4mm
Shaft Torque
67.5Nm



I

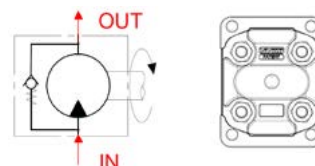
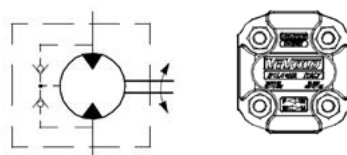
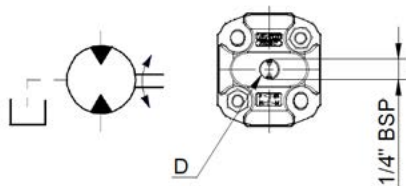
Splined
9T 16/32 DP
Shaft Torque
67.1Nm



Additional costs apply for non-standard options

REAR COVER

E	External drain	F	Internal drain	001	External drain with anti-cavity check valve
----------	----------------	----------	----------------	------------	---



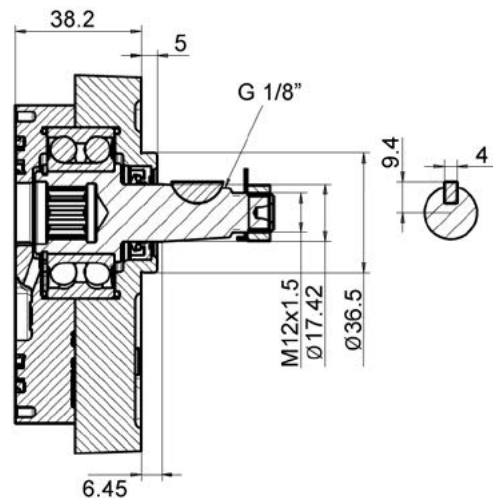
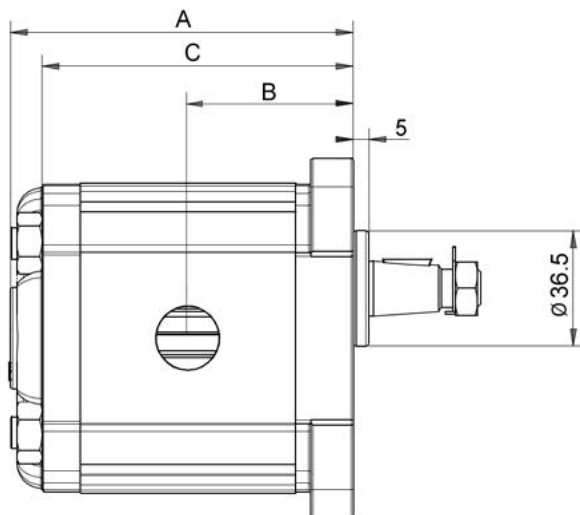
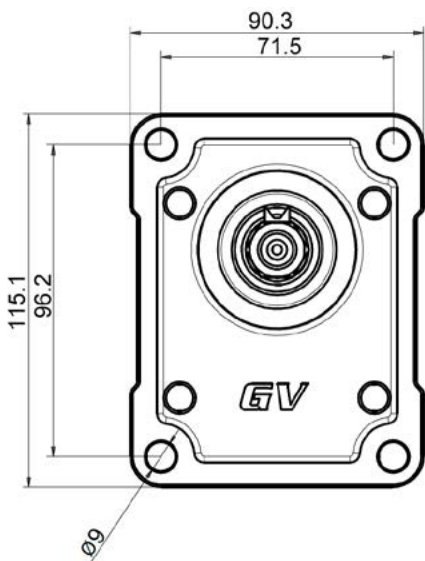
**TECH
DATA**

Group 2 Motor DIN Mount With Bearing Carrier, 1:8 Tapered Shaft

Part #	CC	Max Pressure (bar)		Min Start Pressure (bar)	Max/Min Speed (RPM)	Inlet & Outlet Port	Case Drain	Dimension (mm)		
		Inlet	Drain					A	B	C
X2M411REBBE	4.2	300	6	30	3500/700	1/2" BSPP	1/2" BSPP	107.2	41.7	77.2
X2M431REBBE	6.0	300	6	25	3500/700	1/2" BSPP	1/2" BSPP	110.2	43.2	80.2
X2M451REBBE	8.4	300	6	20	3500/700	1/2" BSPP	1/2" BSPP	104.2	45.2	84.2
X2M471REBBE	10.8	300	6	20	3500/700	1/2" BSPP	1/2" BSPP	118.2	47.2	88.2
X2M491RECCE	14.4	290	6	15	3500/700	3/4" BSPP	3/4" BSPP	124.2	50.2	94.2
X2M511RECCE	16.8	270	6	15	3500/700	3/4" BSPP	3/4" BSPP	128.2	52.2	98.2
X2M531RECCE	19.2	250	6	15	3000/700	3/4" BSPP	3/4" BSPP	132.2	54.2	102.2
X2M551RECCE	22.8	240	6	15	3000/700	3/4" BSPP	3/4" BSPP	138.2	57.2	108.2
X2M571REDDE	26.2	210	6	15	3000/700	1" BSPP	1" BSPP	142.2	59.2	112.2
X2M591REDDE	30.0	200	6	15	2500/700	1" BSPP	1" BSPP	150.2	63.2	120.2
X2M611REDDE	34.2	190	6	15	2500/700	1" BSPP	1" BSPP	157.2	66.7	127.2
X2M631REDDE	39.6	180	6	15	2000/700	1" BSPP	1" BSPP	166.2	71.2	136.2

Group 2 Motor Seal Kit

Part #	Material
8KGX2M1.A	NBR
8KGX2M1.V	Viton

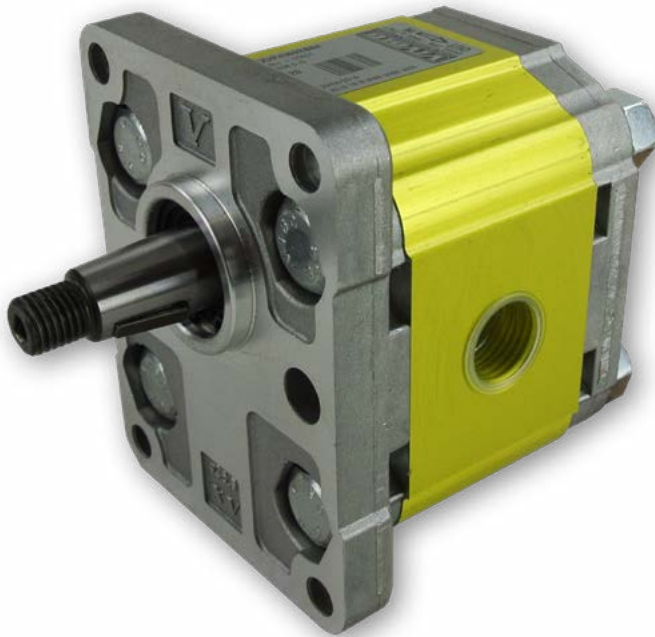


**TECH
DATA**

Group 2 Motor DIN Mount, 1:8 Tapered Shaft

Anti-cavitation check valve available

Part #	CC	Max Pressure (bar)		Min Start Pressure (bar)	Max/Min Speed (RPM)	Inlet & Outlet Port	Case Drain	Dimension (mm)		
		Inlet	Drain					A	B	C
X2M4101EBBE	4.2	300	6	30	3500/700	1/2" BSPP	1/2" BSPP	87.2	41.7	77.2
X2M4301EBBE	6.0	300	6	25	3500/700	1/2" BSPP	1/2" BSPP	90.2	43.2	80.2
X2M4501EBBE	8.4	300	6	20	3500/700	1/2" BSPP	1/2" BSPP	94.2	45.2	84.2
X2M4701EBBE	10.8	300	6	20	3500/700	1/2" BSPP	1/2" BSPP	98.2	47.2	88.2
X2M4901ECCE	14.4	290	6	15	3500/700	3/4" BSPP	3/4" BSPP	104.2	50.2	94.2
X2M5101ECCE	16.8	270	6	15	3500/700	3/4" BSPP	3/4" BSPP	108.2	52.2	98.2
X2M5301ECCE	19.2	250	6	15	3000/700	3/4" BSPP	3/4" BSPP	112.2	54.2	102.2
X2M5501ECCE	22.8	240	6	15	3000/700	3/4" BSPP	3/4" BSPP	118.2	57.2	108.2
X2M5701EDDE	26.2	210	6	15	3000/700	1" BSPP	1" BSPP	122.2	59.2	112.2
X2M5901EDDE	30.0	200	6	15	2500/700	1" BSPP	1" BSPP	130.2	63.2	120.2
X2M6101EDDE	34.2	190	6	15	2500/700	1" BSPP	1" BSPP	137.2	66.7	127.2
X2M6301EDDE	39.6	180	6	15	2000/700	1" BSPP	1" BSPP	146.2	71.2	136.2

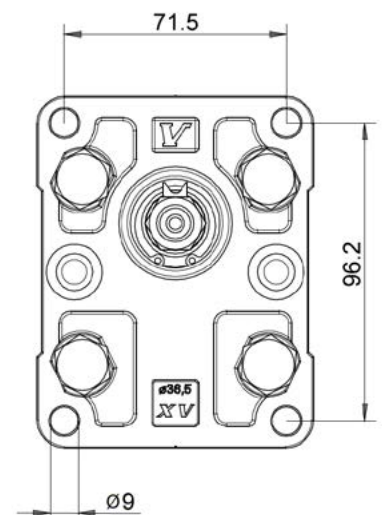
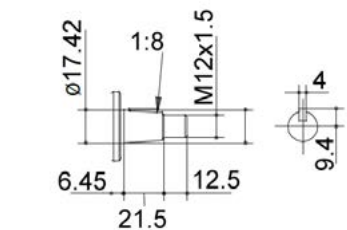
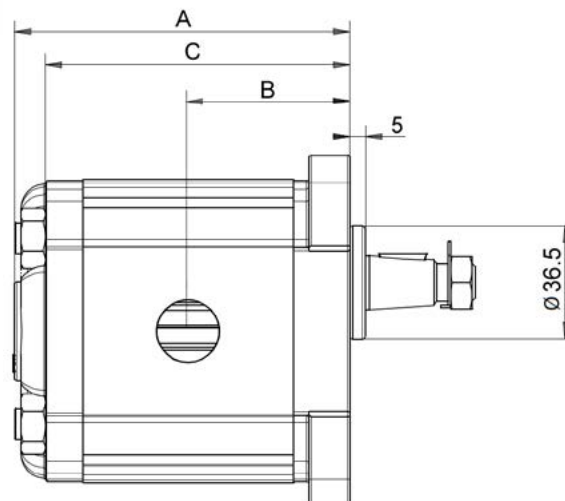
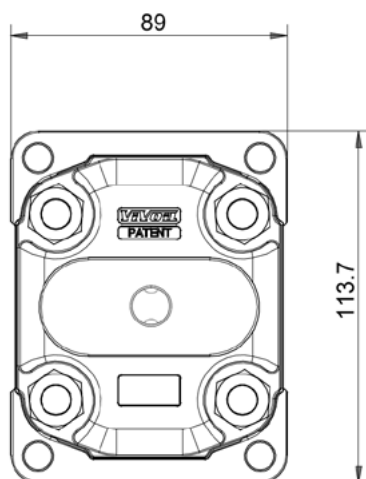


Group 2 Motor Seal Kit

Part #	Material
8KGX2M1.A	NBR
8KGX2M1.V	Viton



MADE IN EUROPE



TECH DATA

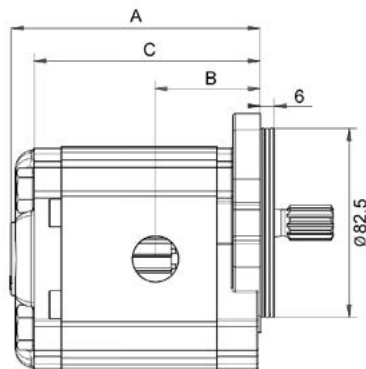
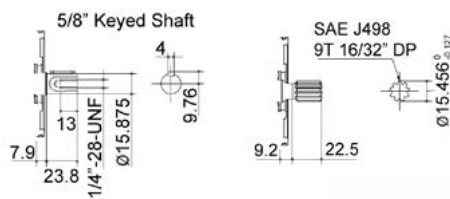
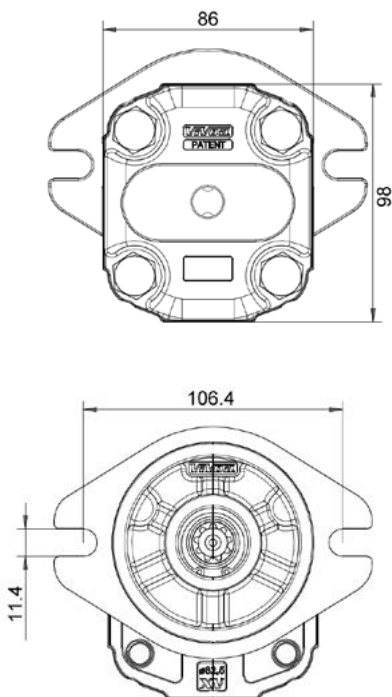
Group 2 Motor SAE A Mount, 5/8" Keyed Shaft

Part #	CC	Max Pressure (bar)		Min Start Pressure (bar)	Max/Min Speed (RPM)	Inlet & Outlet Port	Case Drain	Dimension (mm)		
		Inlet	Drain					A	B	C
X2M4131BBBE	4.2	300	6	30	3500/700	1/2" BSPP	1/2" BSPP	88.0	39.4	78.0
X2M4331BBBE	6.0	300	6	25	3500/700	1/2" BSPP	1/2" BSPP	91.0	39.4	81.0
X2M4531BBBE	8.4	300	6	20	3500/700	1/2" BSPP	1/2" BSPP	95.0	41.4	85.0
X2M4731BBBE	10.8	300	6	20	3500/700	1/2" BSPP	1/2" BSPP	99.0	45.8	89.0
X2M4931BCCE	14.4	250	6	15	3500/700	3/4" BSPP	3/4" BSPP	105.0	45.8	95.0
X2M5131BCCE	16.8	214	6	15	3500/700	3/4" BSPP	3/4" BSPP	109.0	45.8	99.0
X2M5331BCCE	19.2	188	6	15	3000/700	3/4" BSPP	3/4" BSPP	113.0	45.8	103.0
X2M5531BCCE	22.8	158	6	15	3000/700	3/4" BSPP	3/4" BSPP	119.0	53.3	109.0
X2M5731BDDE	26.2	138	6	15	3000/700	1" BSPP	1" BSPP	123.0	53.3	113.0
X2M5931BDDE	30.0	120	6	15	2500/700	1" BSPP	1" BSPP	131.0	61.5	121.0
X2M6131BDDE	34.2	105	6	15	2500/700	1" BSPP	1" BSPP	138.0	61.5	128.0
X2M6331BDDE	39.6	91	6	15	2000/700	1" BSPP	1" BSPP	147.0	61.5	137.0

TECH DATA

Group 2 Motor SAE A Mount, 5/8" 9 Tooth Splined Shaft

Part #	CC	Max Pressure (bar)		Min Start Pressure (bar)	Max/Min Speed (RPM)	Inlet & Outlet Port	Case Drain	Dimension (mm)		
		Inlet	Drain					A	B	C
X2M4131IBBE	4.2	300	6	30	3500/700	1/2" BSPP	1/2" BSPP	88.0	39.4	78.0
X2M4331IBBE	6.0	300	6	25	3500/700	1/2" BSPP	1/2" BSPP	91.0	39.4	81.0
X2M4531IBBE	8.4	300	6	20	3500/700	1/2" BSPP	1/2" BSPP	95.0	41.4	85.0
X2M4731IBBE	10.8	300	6	20	3500/700	1/2" BSPP	1/2" BSPP	99.0	45.8	89.0
X2M4931ICCE	14.4	249	6	15	3500/700	3/4" BSPP	3/4" BSPP	105.0	45.8	95.0
X2M5131ICCE	16.8	213	6	15	3500/700	3/4" BSPP	3/4" BSPP	109.0	45.8	99.0
X2M5331ICCE	19.2	187	6	15	3000/700	3/4" BSPP	3/4" BSPP	113.0	45.8	103.0
X2M5531ICCE	22.8	157	6	15	3000/700	3/4" BSPP	3/4" BSPP	119.0	53.3	109.0
X2M5731IDDE	26.2	137	6	15	3000/700	1" BSPP	1" BSPP	123.0	53.3	113.0
X2M5931IDDE	30.0	119	6	15	2500/700	1" BSPP	1" BSPP	131.0	61.5	121.0
X2M6131IDDE	34.2	105	6	15	2500/700	1" BSPP	1" BSPP	138.0	61.5	128.0
X2M6331IDDE	39.6	90	6	15	2000/700	1" BSPP	1" BSPP	147.0	61.5	137.0



Group 2 Motor Seal Kit

Part #	Material
8KGX2M1.A	NBR
8KGX2M1.V	Viton



SERIES	GROUP	MOTOR	DISP.	FLANGE	SHAFT	INLET	OUTLET	REAR
X	3	M	66	31	I	D	D	E

DISPLACEMENT

66	14.89cc
68	17.37cc
70	21.10cc
72	26.97cc
74	32.27cc
78	38.47cc
79	43.44cc
80	47.16cc
81	50.88cc
82	54.60cc
83	60.81cc
85	64.53cc
86	70.74cc
87	74.46cc
89	86.87cc

PORTS

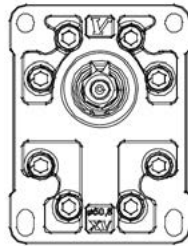
INLET	OUTLET	
D	D	14.9cc
D	D	17.4cc
D	D	21.1cc
E	E	27.0cc
E	E	32.3cc
E	E	38.5cc
E	E	43.4cc
E	E	47.2cc
E	E	50.9cc
E	E	54.6cc
E	E	60.8cc
E	E	64.5cc
F	F	70.7cc
F	F	74.5cc
F	F	86.9cc

D: 3/4" BSPP, E: 1" BSPP, F: 1.1/4" BSPP

FLANGE

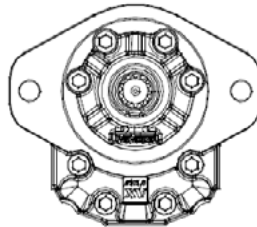
01

DIN Group 3



31

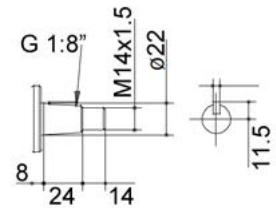
SAE-B



SHAFT

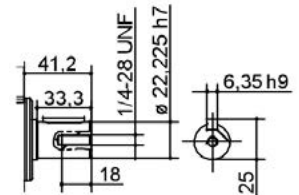
A

Tapered
1:8 Ø 22mm
M14x1.5
Key 4mm
Shaft Torque
482Nm



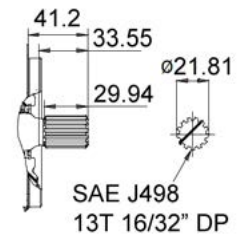
H

Parallel
Ø 7/8"
Key 6.35mm
Shaft Torque
180Nm



I

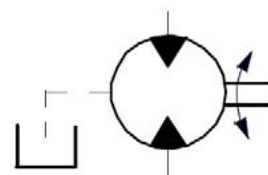
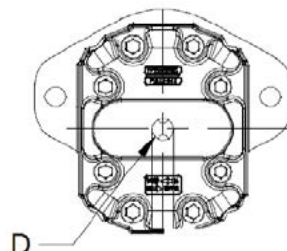
Splined
7/8" 13T
Shaft Torque
264Nm



REAR COVER

E

External drain



Additional costs apply for non-standard options

**TECH
DATA**

Group 3 Motor DIN Mount, 1:8 Tapered Shaft

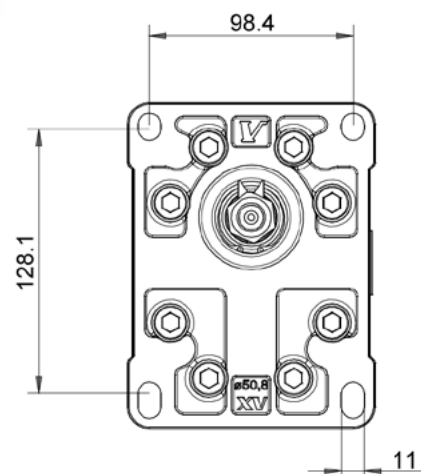
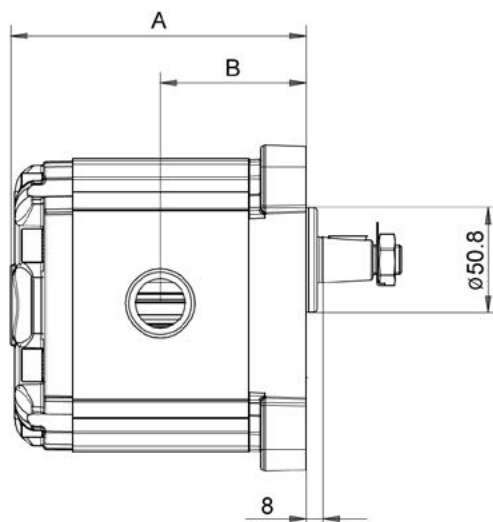
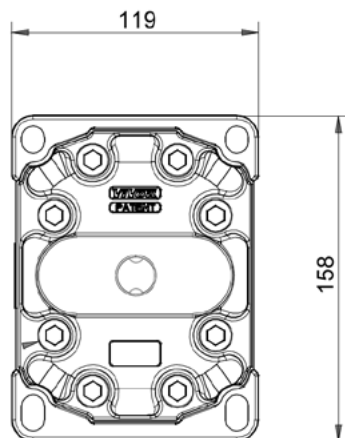
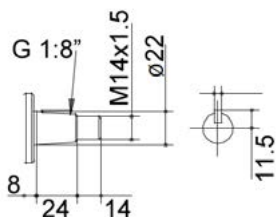
Part #	CC	Max Pressure (bar)		Min Start Pressure (bar)	Max/Min Speed (RPM)	Inlet & Outlet Port	Case Drain	Dimension (mm)	
		Inlet	Drain					A	B
X3M6601ADDE	14.89	320	6	20	3000/700	3/4" BSPP	3/4" BSPP	124.0	61.0
X3M6801ADDE	17.37	300	6	20	3000/700	3/4" BSPP	3/4" BSPP	126.0	62.0
X3M7001ADDE	21.10	300	6	15	3000/700	3/4" BSPP	3/4" BSPP	129.0	63.5
X3M7201AEFF	26.97	270	6	10	3000/700	1" BSPP	1" BSPP	133.0	65.5
X3M7401AEFF	32.27	270	6	10	3000/700	1" BSPP	1" BSPP	138.0	68.0
X3M7801AEFF	38.47	270	6	10	2800/700	1" BSPP	1" BSPP	143.0	70.5
X3M7901AEFF	43.44	250	6	10	2800/700	1" BSPP	1" BSPP	147.0	72.5
X3M8001AEFF	47.16	250	6	10	2800/700	1" BSPP	1" BSPP	150.0	74.0
X3M8101AEFF	50.88	250	6	10	2800/700	1" BSPP	1" BSPP	153.0	75.5
X3M8201AEFF	54.60	250	6	10	2300/700	1" BSPP	1" BSPP	156.0	77.0
X3M8301AEFF	60.81	220	6	10	2300/700	1.1/4" BSPP	1.1/4" BSPP	161.0	79.5
X3M8501AEFF	64.53	220	6	10	2300/700	1.1/4" BSPP	1.1/4" BSPP	164.0	81.0
X3M8601AEFF	70.74	210	6	10	2300/700	1.1/4" BSPP	1.1/4" BSPP	169.0	83.5
X3M8701AEFF	74.46	190	6	10	2300/700	1.1/4" BSPP	1.1/4" BSPP	172.0	85.0
X3M8901AEFF	86.87	160	6	10	2300/700	1.1/4" BSPP	1.1/4" BSPP	182.0	90.0

Group 3 Motor Seal Kit

Part #	Material
8KGX3M1.A	NBR
8KGX3M1.V	Viton



MADE IN EUROPE



**TECH
DATA**

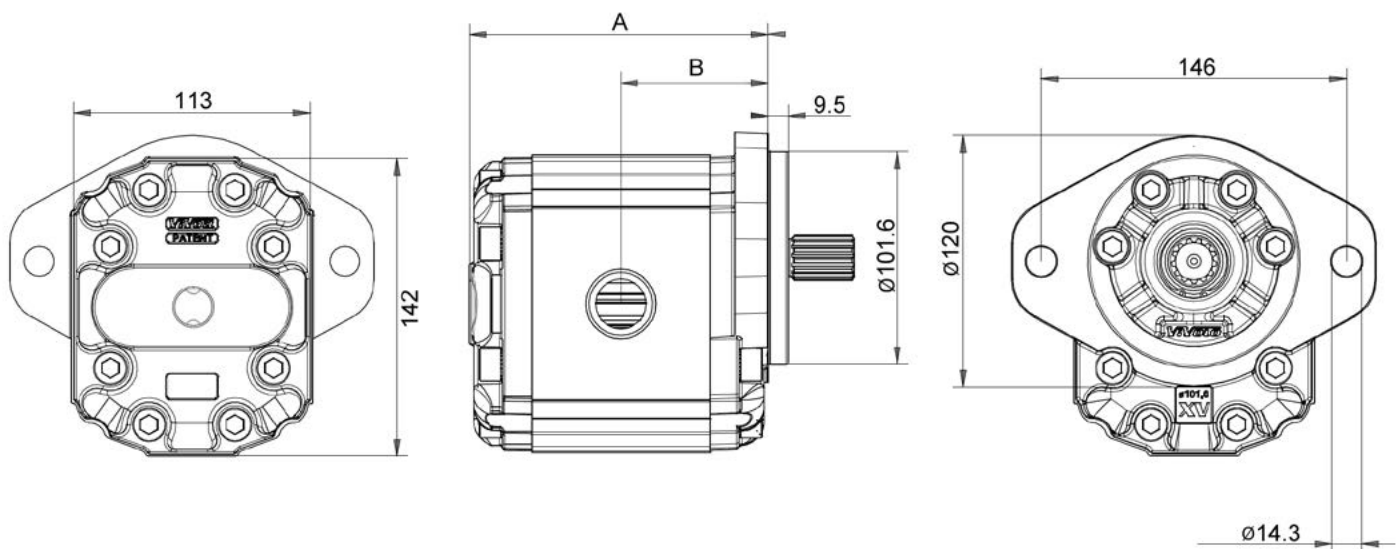
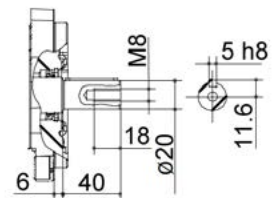
Group 3 Motor SAE B Mount, 7/8" Keyed Shaft

Part #	CC	Max Pressure (bar)		Min Start Pressure	Max/Min Speed (RPM)	Inlet & Outlet Port	Case Drain	Dimension (mm)	
		Inlet	Drain					A	B
X3M7031HDDE	21.10	300	6	15	3000/700	3/4" BSPP	3/4" BSPP	129.0	63.5
X3M7231HEEE	26.97	270	6	10	3000/700	1" BSPP	1" BSPP	133.0	65.5
X3M7431HEEE	32.27	270	6	10	3000/700	1" BSPP	1" BSPP	138.0	68.0
X3M7831HEEE	38.47	250	6	10	2800/700	1" BSPP	1" BSPP	143.0	70.5
X3M7931HEEE	43.44	221	6	10	2800/700	1" BSPP	1" BSPP	147.0	72.5
X3M8031HEEE	47.16	204	6	10	2800/700	1" BSPP	1" BSPP	150.0	74.0
X3M8131HEEE	50.88	189	6	10	2800/700	1" BSPP	1" BSPP	153.0	75.5
X3M8231HEEE	54.60	176	6	10	2300/700	1" BSPP	1" BSPP	156.0	77.0
X3M8331HFFE	60.81	158	6	10	2300/700	1.1/4" BSPP	1.1/4" BSPP	161.0	79.5
X3M8631HFFE	70.74	136	6	10	2300/700	1.1/4" BSPP	1.1/4" BSPP	169.0	83.5
X3M8731HFFE	74.46	129	6	10	2300/700	1.1/4" BSPP	1.1/4" BSPP	172.0	85.0
X3M8931HFFE	86.87	111	6	10	2300/700	1.1/4" BSPP	1.1/4" BSPP	182.0	90.0



Group 3 Motor Seal Kit

Part #	Material
8KGX3M1.A	NBR
8KGX3M1.V	Viton



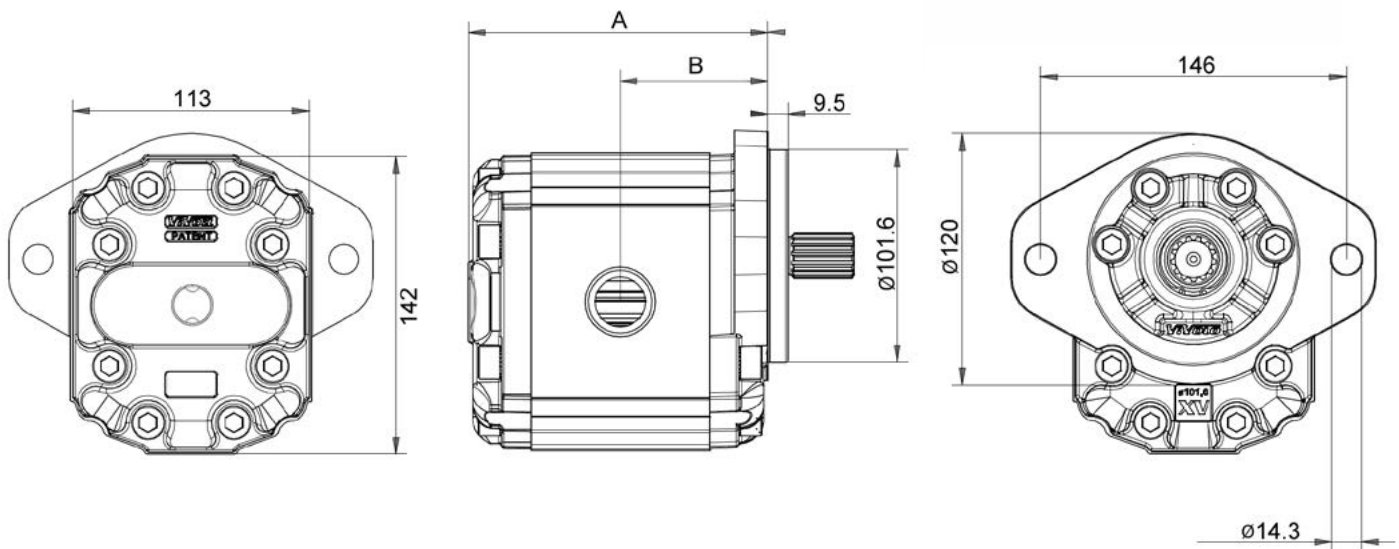
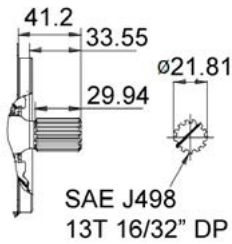
**TECH
DATA**

Group 3 Motor SAE B Mount, 7/8" 13 Tooth Splined Shaft

Part #	CC	Max Pressure (bar)		Min Start Pressure (bar)	Max/Min Speed (RPM)	Inlet & Outlet Port	Case Drain	Dimension (mm)	
		Inlet	Drain					A	B
X3M6631IDDE	14.89	320	6	20	3000/700	3/4" BSPP	3/4" BSPP	124.0	61.0
X3M7031IDDE	21.10	300	6	15	3000/700	3/4" BSPP	3/4" BSPP	129.0	63.5
X3M7231IEEE	26.97	270	6	10	3000/700	1" BSPP	1" BSPP	133.0	65.5
X3M7431IEEE	32.27	270	6	10	3000/700	1" BSPP	1" BSPP	138.0	68.0
X3M7831IEEE	38.47	270	6	10	2800/700	1" BSPP	1" BSPP	143.0	70.5
X3M7931IEEE	43.44	250	6	10	2800/700	1" BSPP	1" BSPP	147.0	72.5
X3M8031IEEE	47.16	250	6	10	2800/700	1" BSPP	1" BSPP	150.0	74.0
X3M8131IEEE	50.88	250	6	10	2800/700	1" BSPP	1" BSPP	153.0	75.5
X3M8231IEEE	54.60	250	6	10	2300/700	1" BSPP	1" BSPP	156.0	77.0
X3M8331IFFE	60.81	232	6	10	2300/700	1.1/4" BSPP	1.1/4" BSPP	161.0	79.5
X3M8531IFFE	64.53	218	6	10	2300/700	1.1/4" BSPP	1.1/4" BSPP	164.0	81.0
X3M8631IFFE	70.74	199	6	10	2300/700	1.1/4" BSPP	1.1/4" BSPP	169.0	83.5
X3M8731IFFE	74.46	189	6	10	2300/700	1.1/4" BSPP	1.1/4" BSPP	172.0	85.0
X3M8931IFFE	86.87	160	6	10	2300/700	1.1/4" BSPP	1.1/4" BSPP	182.0	90.0

Group 3 Motor Seal Kit


Part #	Material
8KGX3M1.A	NBR
8KGX3M1.V	Viton



**TECH
DATA**

Group 1 Motor (European Standard) 4-Bolt Mount, 1:8 Tapered Shaft

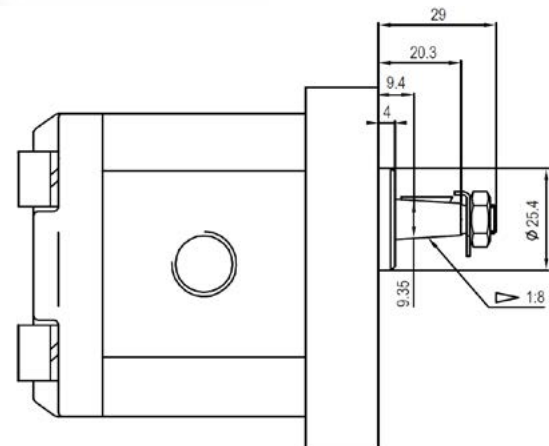
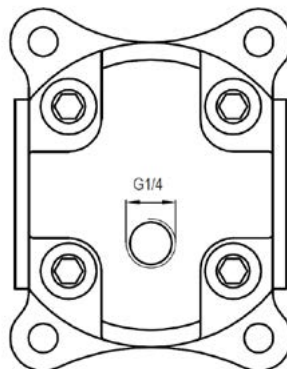
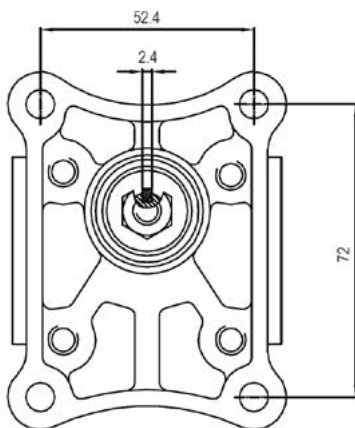
Part #	CC	Port (BSPP)			Max Continuous Speed (RPM)	Max Continuous Pressure (Bar)	Weight (Kg)
		Inlet	Outlet	Case			
10MR1.6X563G	1.6	3/8"	3/8"	1/4"	3500	210	1
10MR2X563G	2	3/8"	3/8"	1/4"	3500	210	1
10MR2.5X563G	2.5	3/8"	3/8"	1/4"	3500	210	1.1
10MR3.15X563G	3.15	1/2"	1/2"	1/4"	3500	210	1.1
10MR3.65X563G	3.65	1/2"	1/2"	1/4"	3500	210	1.2
10MR4.2X563G	4.2	1/2"	1/2"	1/4"	3500	210	1.2
10MR5X563G	5	1/2"	1/2"	1/4"	3500	210	1.2
10MR5.7X563G	5.7	1/2"	1/2"	1/4"	3000	200	1.3
10MR6.1X563G	6.1	1/2"	1/2"	1/4"	3000	200	1.3
10MR7.4X563G	7.4	1/2"	1/2"	1/4"	2500	180	1.4
10MR8.5X563G	8.5	1/2"	1/2"	1/4"	2500	150	1.5
10MR9.8X563G	9.8	1/2"	1/2"	1/4"	2000	120	1.5

 Additional charges apply to non-standard motors

Group 1 Motor Seal Kits & Port Adaptors

Part #	Description
GM1-SKV	Seal kit (includes viton shaft seal)
GM1-SKT	Seal kit (includes high pressure shaft seal, 30 bar)
GM1-SSV	Shaft seal only (viton)
GM1-SST	Shaft seal only (high pressure, 30 bar)


MADE IN EUROPE



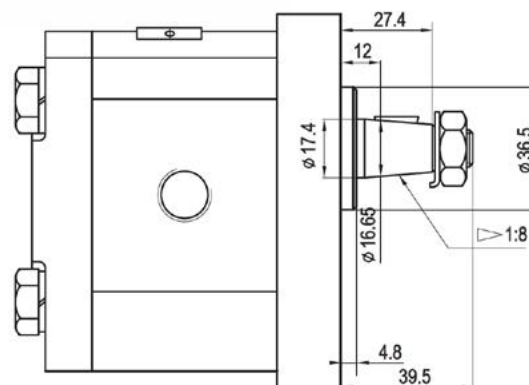
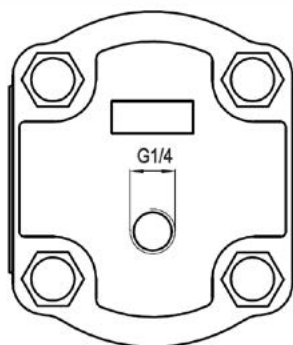
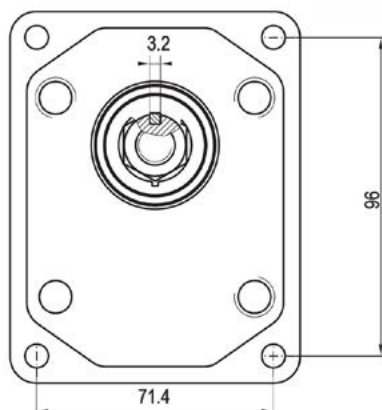
**TECH
DATA**

Group 2 Motor (European Standard) 4-Bolt Mount, 1:8 Tapered Shaft

Part #	CC	Port (BSPP)			Max Continuous Speed (RPM)	Max Continuous Pressure (Bar)	Weight (Kg)
		Inlet	Outlet	Case			
20MR4.5X543GT	4.5	1/2"	1/2"	1/4"	3500	200	3.3
20MR6.3X543GT	6.3	1/2"	1/2"	1/4"	3500	200	3.4
20MR8.2X543GT	8.2	1/2"	1/2"	1/4"	3500	200	3.5
20MR11X543GT	11.3	3/4"	3/4"	1/4"	3500	200	3.6
20MR14X543GT	14	3/4"	3/4"	1/4"	3500	200	3.7
20MR16X543GT	16	3/4"	3/4"	1/4"	3500	200	3.8
20MR19X543GT	19	3/4"	3/4"	1/4"	2500	180	4
20MR22X543GT	22	3/4"	3/4"	1/4"	2500	180	4.1
20MR25X543GT	25	3/4"	3/4"	1/4"	2000	160	4.5
20MR28X543HGT	28	3/4"	3/4"	1/4"	2000	130	4.6

Group 2 Motor Seal Kits


Part #	Description
GM2-SKV	Seal kit (includes viton shaft seal)
GM2-SKT	Seal kit (includes high pressure shaft seal, 30 bar)
GM2-SSV	Shaft seal only (viton)
GM2-SST	Shaft seal only (high pressure, 30 bar)



**TECH
DATA**

Group 2 Motor (American Standard) SAE-A 2-Bolt Mount, 5/8" Shaft (Keyed or 9T Splined)

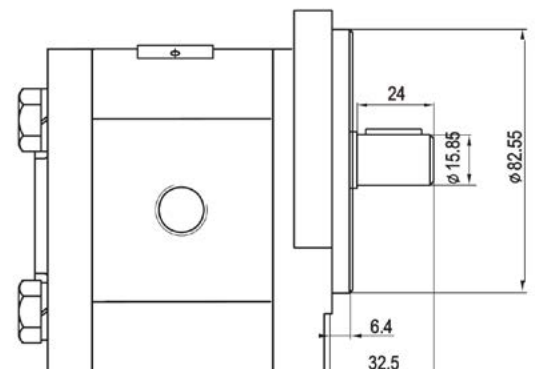
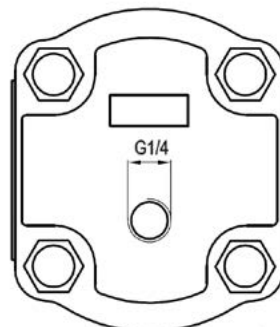
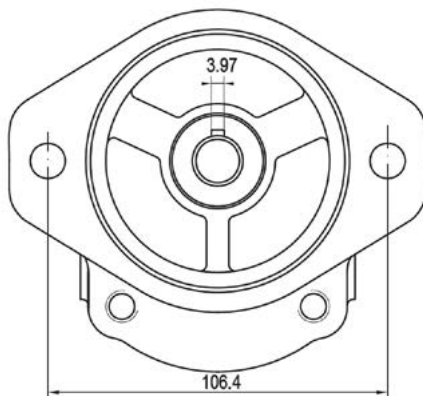
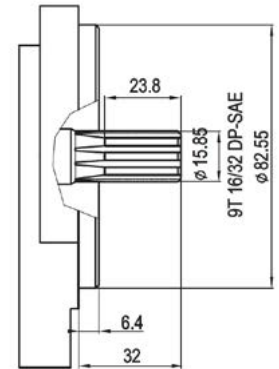
Part #	Part #	CC	Port (BSPP)			Max Continuous Speed (RPM)	Max Continuous Pressure (Bar)	Weight (Kg)
			Inlet	Outlet	Case			
20MR4.5X553GT	20MR4.5X073GT	4.5	1/2"	1/2"	1/4"	3500	200	3.3
20MR6.3X553GT	20MR6.3X073GT	6.3	1/2"	1/2"	1/4"	3500	200	3.4
20MR8.2X553GT	20MR8.2X073GT	8.2	1/2"	1/2"	1/4"	3500	200	3.5
20MR11X553GT	20MR11X073GT	11.3	3/4"	3/4"	1/4"	3500	200	3.6
20MR14X553GT	20MR14X073GT	14	3/4"	3/4"	1/4"	3500	200	3.7
20MR16X553GT	20MR16X073GT	16	3/4"	3/4"	1/4"	3500	200	3.8
20MR19X553GT	20MR19X073GT	19	3/4"	3/4"	1/4"	2500	180	4
20MR22X553GT	20MR22X073GT	22	3/4"	3/4"	1/4"	2500	180	4.1
20MR25X553GT	20MR25X073GT	25	3/4"	3/4"	1/4"	2000	160	4.5
20MR28X553GHT	20MR28X073HGT	28	3/4"	3/4"	1/4"	2000	130	4.6

 Additional charges apply to non-standard motors

Group 2 Motor Seal Kits

Part #	Description
GM2-SKV	Seal kit (includes viton shaft seal)
GM2-SKT	Seal kit (includes high pressure shaft seal, 30 bar)
GM2-SSV	Shaft seal only (viton)
GM2-SST	Shaft seal only (high pressure, 30 bar)



MADE IN EUROPE



**TECH
DATA**

Group 3 Motor (European Standard) 4-Bolt Mount, 1:8 Tapered Shaft

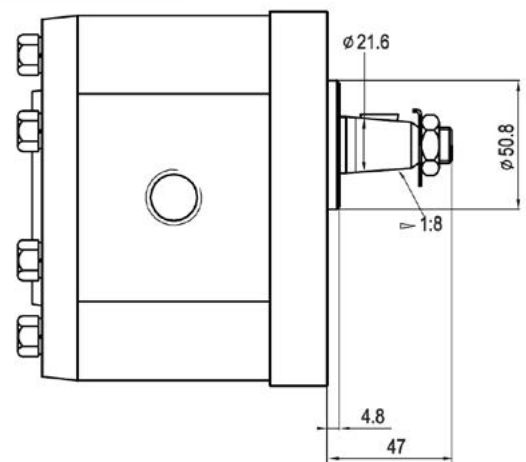
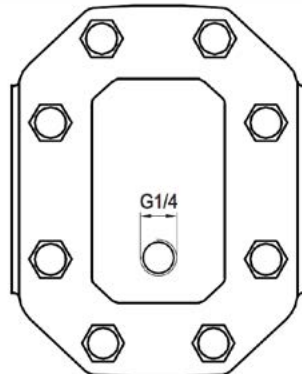
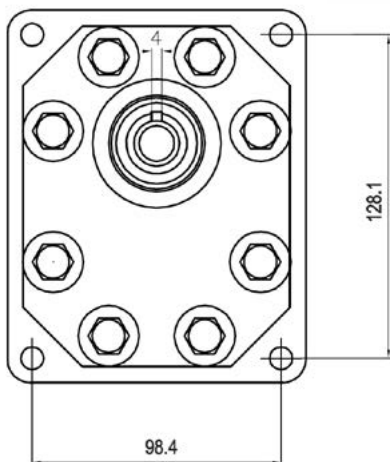
Part #	CC	Port (BSPP)			Max Continuous Speed (RPM)	Max Continuous Pressure (Bar)	Weight (Kg)
		Inlet	Outlet	Case			
30MR20X568HGT	20	3/4"	3/4"	1/4"	2500	200	8.3
30MR25X568HGT	25	3/4"	3/4"	1/4"	2500	200	8.5
30MR32X568HGT	32	1"	1"	1/4"	2500	200	9
30MR36X568HGT	36	1"	1"	1/4"	2300	200	9.3
30MR42X568HGT	42	1"	1"	1/4"	2300	200	9.6
30MR46X568HGT	46	1"	1"	1/4"	2100	200	9.8
30MR50X568HGT	50	1"	1"	1/4"	2100	200	9.9
30MR55X568HGT	55	1"	1"	1/4"	1750	200	10.1
30MR60X568HGT	60	1"	1"	1/4"	1750	180	10.3

 Additional charges apply to non-standard motors

Group 3 Motor Seal Kits

Part #	Description
GM3-SKV	Seal kit (includes viton shaft seal)
GM3-SKT	Seal kit (includes high pressure shaft seal, 30 bar)
GM3-SSV	Shaft seal only (viton)
GM3-SST	Shaft seal only (high pressure, 30 bar)



MADE IN EUROPE



**TECH
DATA**

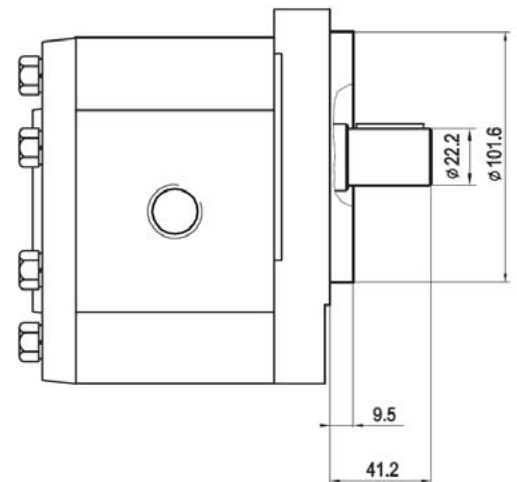
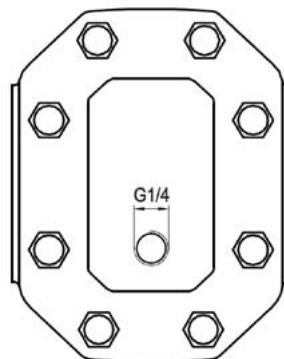
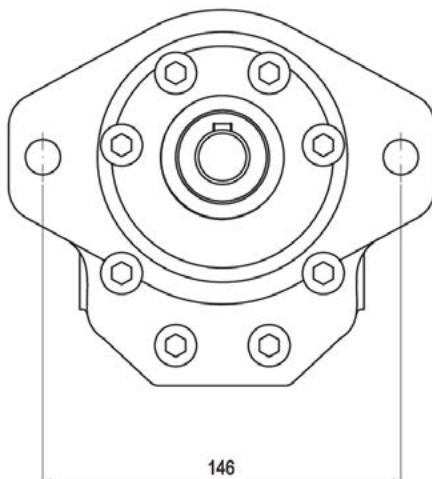
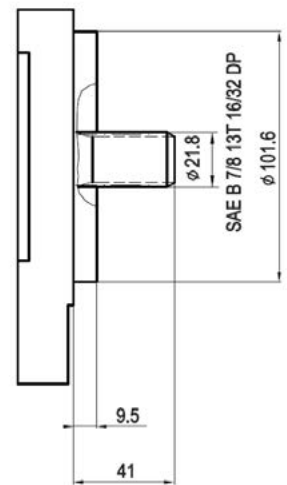
Group 3 Motor (American Standard) SAE-B 2-Bolt Mount, 7/8" Shaft (Keyed or 13T Splined)

Part #	Part #	CC	Port (BSPP)			Max Continuous Speed (RPM)	Max Continuous Pressure (Bar)	Weight (Kg)
			Inlet	Outlet	Case			
30MR20X237HGT	30MR20X236HGT	20	3/4"	3/4"	1/4"	2500	200	8.3
30MR25X237HGT	30MR25X236HGT	25	3/4"	3/4"	1/4"	2500	200	8.5
30MR32X237HGT	30MR32X236HGT	32	1"	1"	1/4"	2500	200	9
30MR36X237HGT	30MR36X236HGT	36	1"	1"	1/4"	2300	200	9.3
30MR42X237HGT	30MR42X236HGT	42	1"	1"	1/4"	2300	200	9.6
30MR46X237HGT	30MR46X236HGT	46	1"	1"	1/4"	2100	200	9.8
30MR50X237HGT	30MR50X236HGT	50	1"	1"	1/4"	2100	200	9.9
30MR55X237HGT	30MR55X236HGT	55	1"	1"	1/4"	1750	200	10.1
30MR60X237HGT	30MR60X237HGT	60	1"	1"	1/4"	1750	180	10.3

 Additional charges apply to non-standard motors

Group 3 Motor Seal Kits

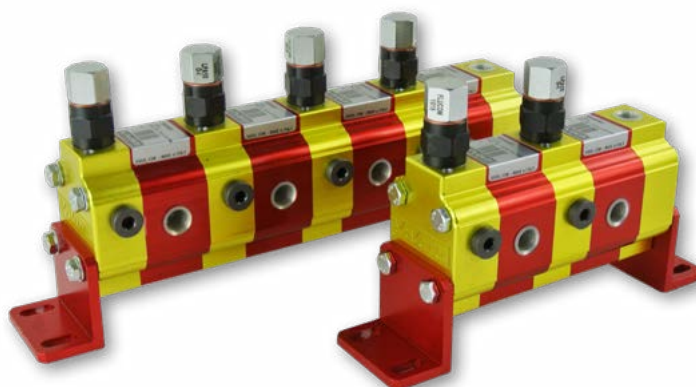
Part #	Description
GM3-SKV	Seal kit (includes viton shaft seal)
GM3-SKT	Seal kit (includes high pressure shaft seal, 30 bar)
GM3-SSV	Shaft seal only (viton)
GM3-SST	Shaft seal only (high pressure, 30 bar)



**TECH
DATA**

GROUP 0 FLOW DIVIDER - with independent phase correction and anti-cavitation

Series	No. of Elements		Relief Range		Displacement Code	
9RV	02	2	A	7-70 bar	04	0.45cc
	03	3	B	35-175 bar (standard)	06	0.76cc
	04	4	C	70-350 bar	09	1.27cc
	05	5				
	06	6				
	07	7				
	08	8				

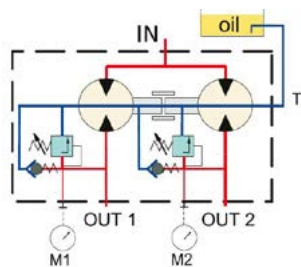


Example:
flow divider w/ 2 elements, same displacements

9RV	02	A	05
------------	-----------	----------	-----------

Example:
flow divider w/ 3 elements, different displacements

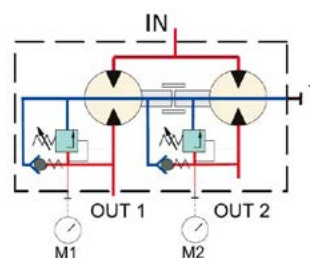
9RV	03	B	04	06	09
------------	-----------	----------	-----------	-----------	-----------



EXTERNAL DRAIN (Standard Setup)

For the correct functioning of the flow divider, it has to be installed under the oil level.

The drain tube has to pick up under the oil level and it has not to aspire air.



INTERNAL DRAIN (Standard Setup)

Note that with this configuration the function of anti-cavitation valves is annulled.



Contact us for lead times for custom items (configurations in table below are standard stock items)

2-Way Rotary Gear Flow Dividers, Differential Relief

Part #	Displacement per Section	Body Size	Max Pressure (bar)	Inlet Flow Ratings (L/min)			Port Size (BSPP)		Relief Range (bar)
				Min	Recommended	Max	In	Out	
9RV02B04	0.45cc	Group 0	210	1.2	2.4	6.0	1/4"	1/4"	35-175
9RV02B06	0.76cc	Group 0	210	2.0	4.0	9.6	1/4"	1/4"	35-175
9RV02B09	1.27cc	Group 0	210	3.0	6.0	14.4	1/4"	1/4"	35-175

4-Way Rotary Gear Flow Dividers, Differential Relief

9RV04B04	0.45cc	Group 0	210	2.4	4.8	12.0	1/4"	1/4"	35-175
9RV04B06	0.76cc	Group 0	210	4.0	8.0	19.2	1/4"	1/4"	35-175
9RV04B09	1.27cc	Group 0	210	6.0	12.0	28.8	1/4"	1/4"	35-175

**TECH
DATA**

GROUP 1 FLOW DIVIDER - with independent phase correction and anti-cavitation

Series	No. of Elements		Relief Range		Displacement Code	
9RV	02	2	A	7-210 bar (standard)	18	1.70cc
	03	3	B	105-420 bar	23	3.20cc
	04	4			32	6.50cc
	05	5				
	06	6				
	07	7				
	08	8				



Example:
flow divider w/ 2 elements, same displacements

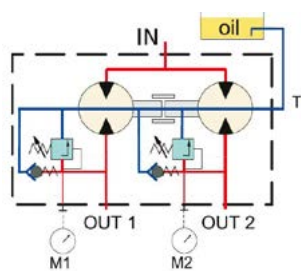
9RV	02	A	18
------------	-----------	----------	-----------

Example:
flow divider w/ 3 elements, different displacements

9RV	03	B	32	23	18
------------	-----------	----------	-----------	-----------	-----------



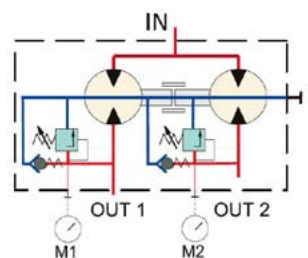
MADE IN EUROPE



EXTERNAL DRAIN (Standard Setup)

For the correct functioning of the flow divider, it has to be installed under the oil level.

The drain tube has to pick up under the oil level and it has not to aspire air.



INTERNAL DRAIN (Standard Setup)

Note that with this configuration the function of anti-cavitation valves is annulled.



Contact us for lead times for custom items (configurations in table below are standard stock items)

2-Way Rotary Gear Flow Dividers, Differential Relief

Part #	Displacement per Section	Body Size	Max Pressure (bar)	Inlet Flow Ratings (L/min)			Port Size (BSPP)		Relief Range (bar)
				Min	Recommended	Max	In	Out	
9RV02A18	1.70cc	Group 1	220	4	8	18	1/2"	3/8"	7-210
9RV02A23	3.20cc	Group 1	220	7	15	36	1/2"	3/8"	7-210
9RV02A32	6.50cc	Group 1	220	15	28	71	1/2"	3/8"	7-210

4-Way Rotary Gear Flow Dividers, Differential Relief

9RV04A18	1.70cc	Group 1	220	8	16	36	1/2"	3/8"	7-210
9RV04A23	3.20cc	Group 1	220	14	30	72	1/2"	3/8"	7-210
9RV04A32	6.50cc	Group 1	220	30	56	142	1/2"	3/8"	7-210

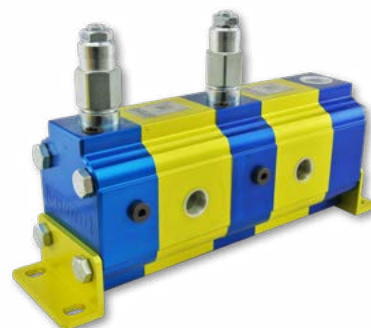
TECH
DATA

GROUP 2 FLOW DIVIDER - with independent phase correction and anti-cavitation

Series	No. of Elements		Relief Range		Displacement Code	
9RV	02	2	A	10-105 bar	45	8.40cc
	03	3	B	70-210 bar (standard)	47	10.80cc
	04	4	C	140-350 bar	49	14.00cc
	05	5			51	16.80cc
	06	6			55	22.80cc
	07	7			59	30.00cc
	08	8			63	39.60cc

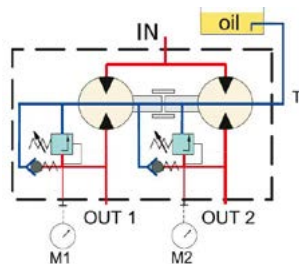
Example:
flow divider w/ 2 elements, same displacements

9RV	02	A	63
------------	-----------	----------	-----------



Example:
flow divider w/ 3 elements, different displacements

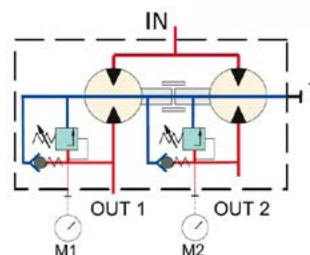
9RV	03	B	47	55	63
------------	-----------	----------	-----------	-----------	-----------



EXTERNAL DRAIN (Standard Setup)

For the correct functioning of the flow divider, it has to be installed under the oil level.

The drain tube has to pick up under the oil level and it has not to aspire air.



INTERNAL DRAIN (Standard Setup)

Note that with this configuration the function of anti-cavitation valves is annulled.



Contact us for lead times for custom items (configurations in table below are standard stock items)

2-Way Rotary Gear Flow Dividers, Differential Relief

Part #	Displacement per Section	Body Size	Max Press (bar)	Inlet Flow Ratings (L/min)			Port Size (BSPP)		Relief Range (bar)
				Min	Recommended	Max	In	Out	
9RV02B45	8.40cc	Group 2	210	21.6	30.2	45.0	3/4"	1/2"	70-210
9RV02B47	10.80cc	Group 2	210	26.4	38.8	55.0	3/4"	1/2"	70-210
9RV02B49	14.40cc	Group 2	200	33.6	51.8	70.0	3/4"	1/2"	70-210
9RV02B51	16.80cc	Group 2	200	40.8	60.4	85.0	3/4"	1/2"	70-210
9RV02B55	22.80cc	Group 2	180	52.8	82.0	110.0	3/4"	1/2"	70-210
9RV02B59	30.00cc	Group 2	160	72.0	108.0	150.0	1"	3/4"	70-210
9RV02B63	39.60cc	Group 2	130	96.0	142.6	200.0	1"	3/4"	70-210

4-Way Rotary Gear Flow Dividers, Differential Relief

9RV04B45	8.40cc	Group 2	210	43.2	60.4	90.0	3/4"	1/2"	70-210
9RV04B47	10.80cc	Group 2	210	52.8	77.6	110.0	3/4"	1/2"	70-210
9RV04B49	14.4cc	Group 2	200	67.2	103.6	140.0	3/4"	1/2"	70-210
9RV04B51	16.80cc	Group 2	200	81.6	120.8	170.0	3/4"	1/2"	70-210
9RV04B55	22.80cc	Group 2	180	105.6	164.0	220.0	3/4"	1/2"	70-210
9RV04B59	30.00cc	Group 2	160	144.0	216.0	300.0	1"	3/4"	70-210
9RV04B63	39.60cc	Group 2	130	192.0	285.2	400.0	1"	3/4"	70-210

**TECH
DATA**

GROUP 3 FLOW DIVIDER - with independent phase correction and anti-cavitation

Series	No. of Elements		Relief Range		Displacement Code	
9RV	02	2	A	10-105 bar	70	21cc
	03	3	B	70-210 bar (standard)	78	38cc
	04	4	C	140-350 bar	81	51cc
	05	5			85	64cc
	06	6				
	07	7				
	08	8				

Example:
flow divider w/ 2 elements, same displacements

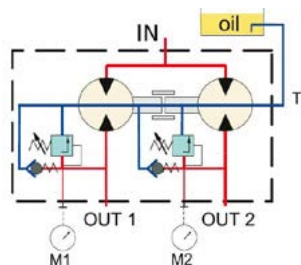
9RV	02	A	70
------------	-----------	----------	-----------

Example:
flow divider w/ 3 elements, different displacements

9RV	03	B	70	70	81
------------	-----------	----------	-----------	-----------	-----------



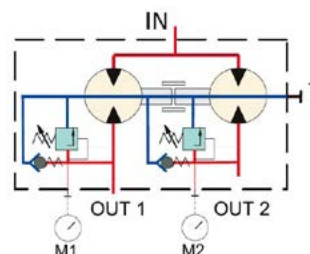
MADE IN EUROPE



EXTERNAL DRAIN (Standard Setup)

For the correct functioning of the flow divider, it has to be installed under the oil level.

The drain tube has to pick up under the oil level and it has not to aspire air.



INTERNAL DRAIN (Standard Setup)

Note that with this configuration the function of anti-cavitation valves is annulled.



Contact us for lead times for custom items (configurations in table below are standard stock items)

2-Way Rotary Gear Flow Dividers, Differential Relief

Part #	Displacement per Section	Body Size	Max Pressure (bar)	Inlet Flow Ratings (L/min)			Port Size (BSPP)		Relief Range (bar)
				Min	Recommended	Max	In	Out	
9RV02B70	21cc	Group 3	280	50	76	105	1"	1/2"	70-210
9RV02B78	38cc	Group 3	250	82	120	182	1"	3/4"	70-210
9RV02B81	51cc	Group 3	230	102	153	234	1.1/4"	1"	70-210
9RV02B85	64cc	Group 3	210	114	166	256	1.1/4"	1"	70-210

4-Way Rotary Gear Flow Dividers, Differential Relief

9RV04B70	21cc	Group 3	280	100	152	210	1"	1/2"	70-210
9RV04B78	38cc	Group 3	250	164	240	364	1"	1/2"	70-210
9RV04B81	51cc	Group 3	230	204	306	468	1.1/4"	1"	70-210
9RV04B85	64cc	Group 3	210	228	332	512	1.1/4"	1"	70-210

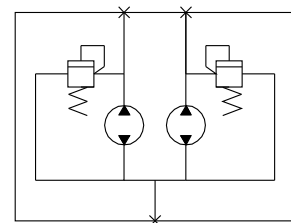
**TECH
DATA**

2-Way Rotary Gear Flow Dividers, Differential Relief

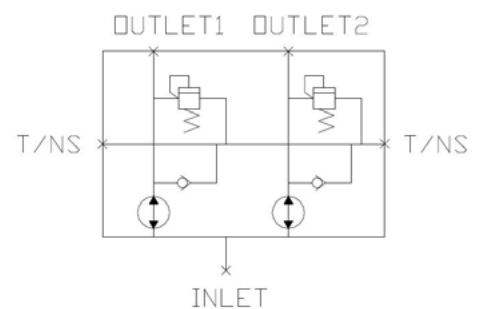
Differential relief valves standard setting 750psi

Part #	Displacement (cc)	Maximum Pressure (bar)		Inlet Flow Ratings (L/min)		Port Size (BSPP)		Pressure Drop (bar)
		Continuous	Differential	Min	Max	In	Out	
1FDF-1.6-L05-2	1.60	240	124	6.0	12.8	1/2"	3/8"	16-19
1FDF-3.18-L08-2	3.18	240	124	12.8	26.4	3/4"	1/2"	16-19
1FDF-5.29-L08-2	5.29	240	124	22.8	45.4	3/4"	1/2"	16-19
1FDF-8.42-L08-2	8.42	240	124	34.0	68.2	3/4"	1/2"	16-19
2FDF-14-L08-2	14.00	220	200	14.0	68.0	3/4"	1/2"	11-14
2FDF-25-L03-2	25.00	220	200	24.0	106.0	1"	3/4"	11-14

1FDF



2FDF

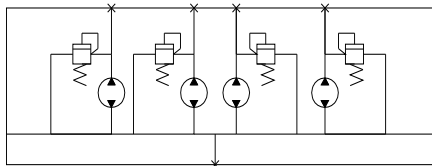


**TECH
DATA**

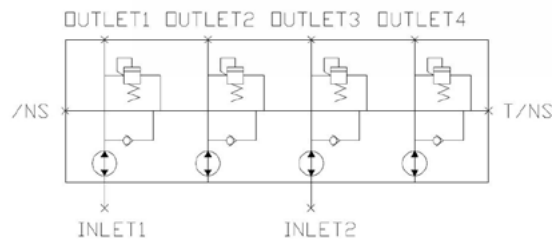
4-Way Rotary Gear Flow Dividers, Differential Relief

Part #	Displacement (cc)	Maximum Pressure (bar)		Inlet Flow Ratings (L/min)		Port Size (BSPP)		Pressure Drop (bar)
		Continuous	Differential	Min	Max	In	Out	
1FDF-1.6-L05-4	1.60	240	124	12.0	25.6	1/2"	3/8"	16-19
1FDF-3.18-L08-4	3.18	240	124	25.6	52.8	3/4"	1/2"	16-19
1FDF-5.29-L08-4	5.29	240	124	45.6	90.8	3/4"	1/2"	16-19
1FDF-8.42-L08-4	8.42	240	124	68.0	136.4	1"	1/2"	16-19
2FDF-14-L08-4	14.00	220	200	28.0	136.0	1"	3/4"	11-14
2FDF-25-L03-4	25.00	220	200	48.0	212.0	1.1/2"	1"	11-14

1FDF



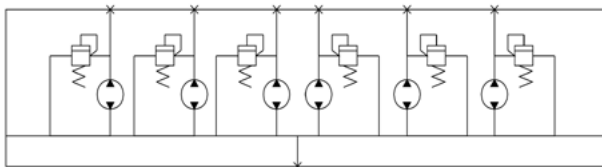
2FDF



**TECH
DATA**

6-Way Rotary Gear Flow Dividers, Differential Relief

Part #	Maximum Pressure (bar)		Inlet Flow Ratings (L/min)		Port Size (BSPP)		Pressure Drop (bar)
	Continuous	Differential	Min	Max	In	Out	
1FDF-2.0-L05-6	240	124	38.4	63.3	1/2"	3/8"	16-19





MELBOURNE

ADDRESS

23 Quinlan Rd, Epping, VIC 3076

EMAIL

sales@hydraulicsnetwork.com.au

PHONE

03 9399 8957

VERMONT

ADDRESS

5/137-145 Rooks Rd, Vermont, VIC 3133

EMAIL

salessev@hydraulicsint.com.au

PHONE

03 9874 1155

BRISBANE

ADDRESS

19 Silvio St, Richlands, QLD 4077

EMAIL

salesqld@hydraulicsnetwork.com.au

PHONE

07 3277 5969

PERTH

ADDRESS

2/44 Vinnicombe Dr, Canning Vale, WA 6155

EMAIL

saleswa@hydraulicsnetwork.com.au

PHONE

08 6385 3555

www.hydraulicsnetwork.com.au