

# PZ1A Group 1 Gear Pumps



# TIMALCO HYDRAULICS

[www.timalco.com.au](http://www.timalco.com.au)



- High volumetric efficiency.
- Wide range of capacities: 4-6-8-11-14-17-20-25-31cm<sup>3</sup>/rev.
- Extruded Aluminium body.
- Cast Iron Covers and Special bushings.
- Low noise operation due to accurate projection of gear tooth profile.
- Large range of flanges, shafts, and ports available.
- High Temperature seals available.

Part Number		CC p/rev	Ports	
RH Rotation	LH Rotation		Pressure	Suction
PZ1A11C401D	PZ1A11C401S	1.1	3/8" BSPP	3/8" BSPP
PZ1A16C401D	PZ1A16C401S	1.6	3/8" BSPP	3/8" BSPP
PZ1A21C401D	PZ1A21C401S	2.1	3/8" BSPP	3/8" BSPP
PZ1A26C401D	PZ1A26C401S	2.6	3/8" BSPP	3/8" BSPP
PZ1A32C401D	PZ1A32C401S	3.2	3/8" BSPP	3/8" BSPP
PZ1A37C401D	PZ1A37C401S	3.7	3/8" BSPP	3/8" BSPP
PZ1A42C401D	PZ1A42C401S	4.2	3/8" BSPP	3/8" BSPP
PZ1A48C401D	PZ1A48C401S	4.8	3/8" BSPP	3/8" BSPP
PZ1A55C401D	PZ1A55C401S	5.5	3/8" BSPP	3/8" BSPP
PZ1A62C401D	PZ1A62C401S	6.2	3/8" BSPP	3/8" BSPP
PZ1A78C401D	PZ1A78C401S	7.8	3/8" BSPP	3/8" BSPP
PZ1A88C401D	PZ1A88C401S	8.8	3/8" BSPP	3/8" BSPP

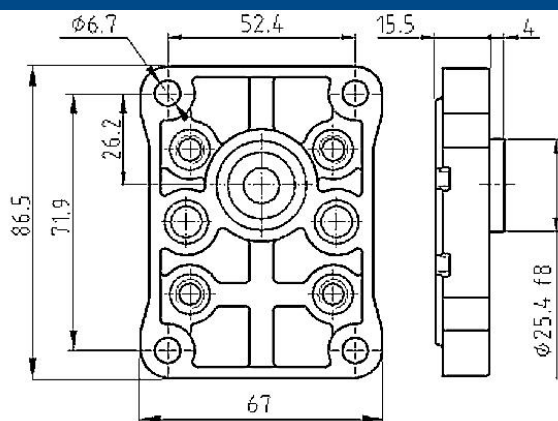
Type		1.1	1.6	2.1	2.6	3.2	3.7	4.2	4.8	5.5	6.2	7.8	8.8
Capacity	cc/rev	1.08	1.59	2.09	2.59	3.15	3.68	4.19	4.79	5.49	6.2	7.81	8.82
Max Working Pressure	Bar	210	210	210	210	210	210	190	180	160	140	120	100
Peak Pressure	Bar	250	250	250	250	250	250	230	220	200	180	160	140
Max speed for P1 press	r.p.m	6000	6000	6000	5500	4500	4000	3800	3500	3500	3000	3000	3000
Max speed without load	r.p.m	8000	8000	8000	8000	7000	6000	5500	5000	4500	4500	4000	4000
Min speed for p1 (unidirect)	r.p.m	1100	950	800	700	600	500	450	400	400	400	400	400
Overall dimensions	A	73.8	75.8	77.8	79.8	82	84.1	86.1	88.5	91.3	94.1	100.5	104.5
	B	34.6	35.6	36.6	37.6	38.7	39.8	40.8	42	43.4	44.8	48	50



1800-OILSOL <https://oilsolutions.com.au/>  
1800-645765

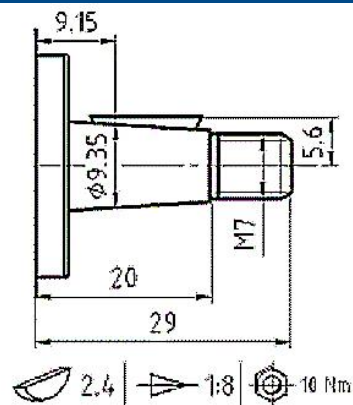
[sales@oilsolutions.com.au](mailto:sales@oilsolutions.com.au)

## Flanges



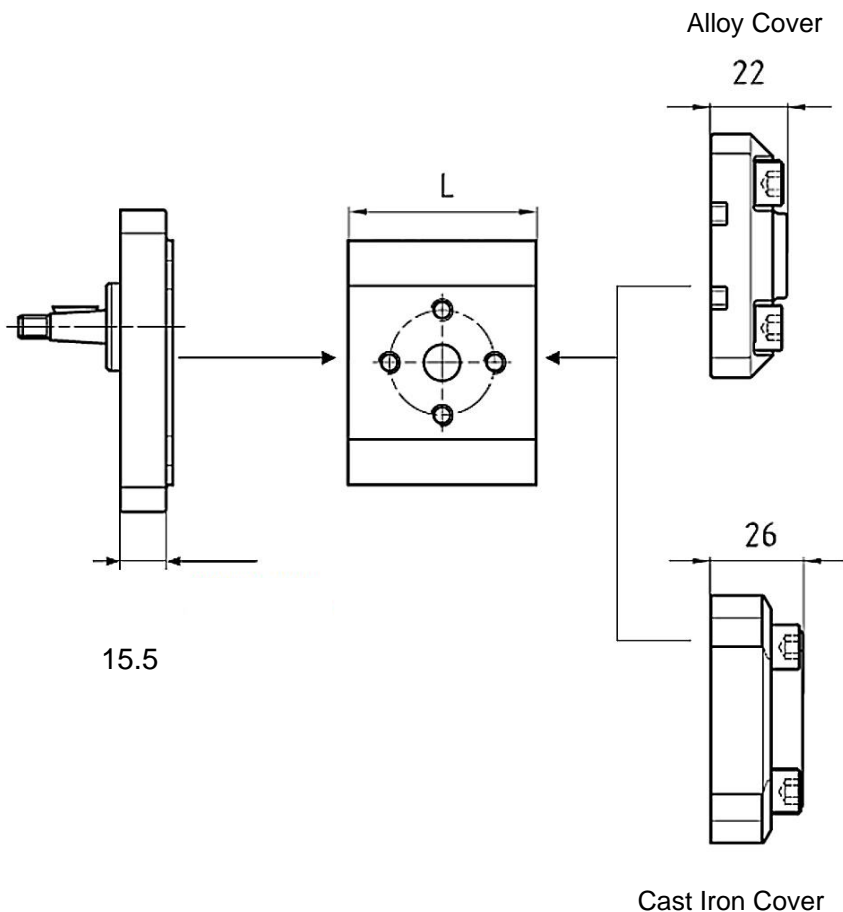
Material: Alloy

## Shafts



Max Torque 36 Nm

## Overall Dimensions



Type	L
11	38.3
16	40.3
21	42.3
26	44.3
32	46.5
37	48.6
42	50.6
48	53
55	55.8
62	58.6
78	65
88	69



08 8262 4333



Timalco Hydraulics



timalcohyd

## General Specifications

<b>Hydraulic Fluids</b>	Mineral Oil (DIN 51524) For use with fire resistant fluids like water glycol, water- emulsion and phosphate esters, contact our technical or commercial office.
Inlet Pressure	0.7 → 3 Bar (Absolute)
Oil Speed on Suction Line	0.5 → 1.5 m/s
Oil Speed on Pressure Line	6 → 10 m/s
Oil Temperature	-10 Deg C → 80 Deg C
Oil Viscosity	20 → 120mm <sup>2</sup> /s (Cst)
Max Starting viscosity	700 mm <sup>2</sup> /s (Cst)

## Shaft Load Capacity

Shaft Code	Shaft Description	Max Torque (Nm)	<b>Important</b> When applying a multiple pump, the drive shaft load is the sum of torque of each section. This value cannot exceed the value in the table.
A	1:5 Taper	110	
B	Din 5482 B17 x 14 Spline	110	
C	1:8 Taper	150	
E	15mm Str Keyed	75	
F	Tang	75	
L	5/8" Str Keyed	75	
M	Tang	75	
N	19mm Str Keyed	110	
S	SAE A 9T Spline	75	



08 8262 4333



Timalco Hydraulics



timalcohyd