

# Pulsation damper for pump types A10VSO NS18 to 140 and A4VSO NS40 to 250

**RE 50142/09.09**  
Replaces: 07.05

1/4

Type PULSDAEMPFER



pulsdämpfer\_d

## Overview of contents

### Contents

Features	
Ordering details	
Selection table	
Connection sizes	
Unit dimensions	
Fixing screws	

## Features

### Page

<b>Area of application</b>	
1	The pulsation damper works to the reflection principle. It is used in hydraulic systems where displacement pumps are used and noise is transmitted via the pressure fluid.
2	
2	
<b>Installation</b>	
2	The damper is screwed directly onto the pump pressure connection. To prevent the transmission of mechanical vibration into the system, it is necessary to fit a hose to the damper outlet port.
3	
3	

Information on available spare parts:  
[www.boschrexroth.com/spc](http://www.boschrexroth.com/spc)

## Ordering details

**PULSDAEMPFER** | **300** / **M** | **11** / **... x ...**

### Pump type

A10VSO 18/28	= <b>A10-18/28</b>
A10VSO 45/71	= <b>A10-45/71</b>
A10VSO 100/140	= <b>A10-100/140</b>
A4VSO 40	= <b>A4-40</b>
A4VSO 71	= <b>A4-71</b>
A4VSO 125/180	= <b>A4-125/180</b>
A4VSO 250	= <b>A4-250</b>

### Pressure

300 bar = **300**

**Height in mm**  
(see page 3)

**Diameter in mm**  
(see page 3)

**Connection size (P-port)**  
(see below)

**11 =** SAE pressure flange

### Seal material

**M =** NBR seals  
suitable for mineral oil HLP to DIN 51524

### Ordering example:

**PULSDAEMPFER A10-45/71-300/M11/180x270**

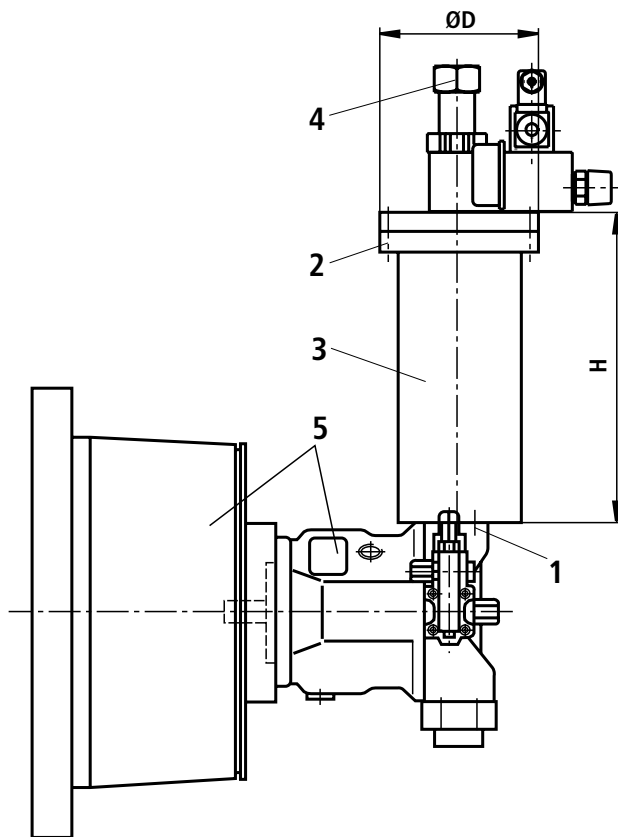
## Selection table

Pump type	Max. pressure in bar	Material No.	Weight in kg
A10VSO 18/28	300	R900863597	15
A10VSO 45/71		R900863407	20
A10VSO 100/140		R900863406	26
A4VSO 40		R900863598	20
A4VSO 71		R900863599	20
A4VSO 125/180		R900863406	26
A4VSO 250		R900863405	34

## Connection sizes (P-port)

Pump type	Connection	Ordering code
A10VSO 18/28	SAE 3/4 – 3000 PSI	<b>11</b>
A10VSO 45/71	SAE 1 – 3000 PSI	
A10VSO 100/140	SAE 1 1/4 – 6000 PSI	
A4VSO 40	SAE 3/4 – 6000 PSI	
A4VSO 71	SAE 1 – 6000 PSI	
A4VSO 125/180	SAE 1 1/4 – 6000 PSI	
A4VSO 250	SAE 1 1/2 – 6000 PSI	

## Unit dimensions (nominal dimensions in mm)



Pump type	Ordering code (e.g. 180x270)	
	ØD	H
A10VSO 18/28	160	270
A10VSO 45/71	180	
A10VSO 100/140	200	
A4VSO 40	180	
A4VSO 71	180	
A4VSO 125/180	200	310
A4VSO 250	220	

- 1 Pulsation damper / pump fixing screws
- 2 Pulsation damper / pulsation damper fixing screws
- 3 Pulsation damper
- 4 P-port
- 5 Pump with pump mounting bracket (separate order)
- 6 Mounting of pump safety block according to RE 25891 is possible

The pulsation damper is suitable for vertical installation only

## Fixing screws (nominal dimensions in mm)

Pump type	Position 1			Position 2		
	S.H.C.S. 10.9 ISO 4762			S.H.C.S. 10.9 ISO 4762		
	Dimension	Material No.	$M_A$ in Nm	Dimension	Material No.	$M_A$ in Nm
A10VSO 18/28	M10 x 35	R913000062	68	M12 x 40	R900003243	117
A10VSO 45/71	M10 x 35	R913000062	68	M16 x 50	R900003264	280
A10VSO 100/140	M14 x 40	R913000588	185			
A4VSO 40	M10 x 35	R913000062	68			
A4VSO 71	M12 x 40	R900003243	117			
A4VSO 125/180	M14 x 40	R913000588	185			
A4VSO 250	M16 x 50	R900003264	280			

## Notes

---

Bosch Rexroth AG  
Hydraulics  
Zum Eisengießer 1  
97816 Lohr am Main, Germany  
Phone +49 (0) 93 52 / 18-0  
Fax +49 (0) 93 52 / 18-23 58  
documentation@boschrexroth.de  
www.boschrexroth.de

© This document, as well as the data, specifications and other information set forth in it, are the exclusive property of Bosch Rexroth AG. It may not be reproduced or given to third parties without its consent.

The data specified above only serve to describe the product. No statements concerning a certain condition or suitability for a certain application can be derived from our information. The information given does not release the user from the obligation of own judgment and verification. It must be remembered that our products are subject to a natural process of wear and aging.