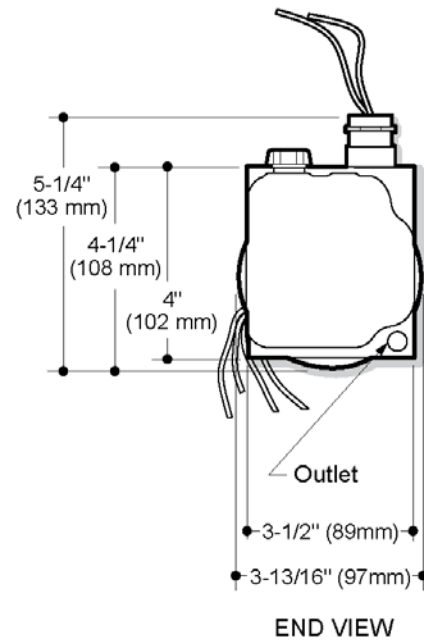
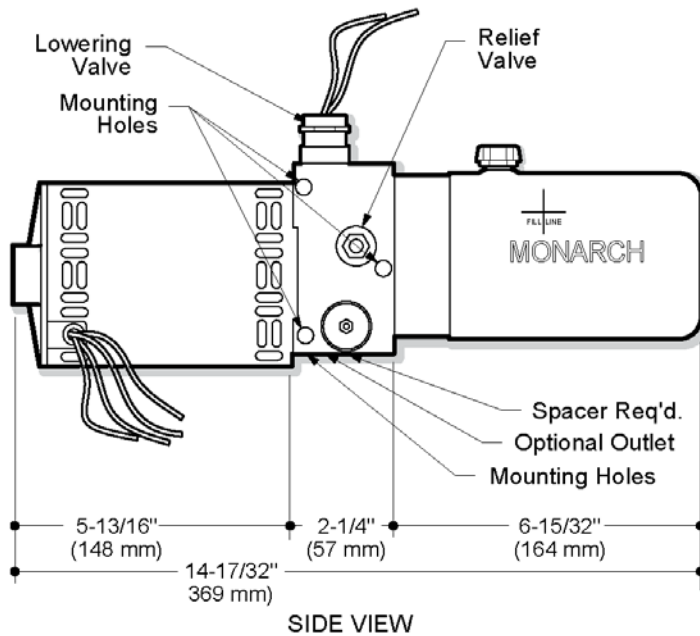
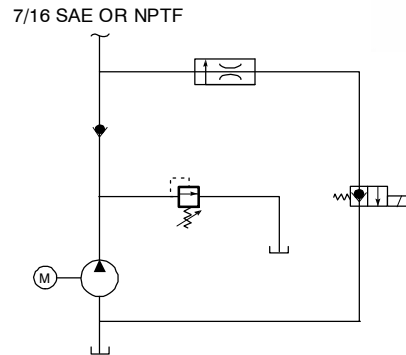


3.11 Model M-4219 w/PCFC

Description

- Pump / Motor / Reservoir / Unit
- Check Valve
- Externally Adjustable Relief Valve
- 2-Way/2-Position Normally Closed Solenoid Operated Lowering Valve
- Cartridge Style Pressure Compensated Lowering Valve
- Outlet Port **Options:**
Check Valve Port 7/16-20 SAE O-Ring or Face Port: 7/16-20 SAE O-Ring
- Horizontal Mounting Standard
- Vertical Mounting (Motor Up) Optional

Schematic



How to Order Your M-4219 w/PCFC Power System

Comprehensive information may be found on the page referenced below each selection category.

Pump	Motor	Capacitor	Reservoir	Mounting Position	Accessories
Ref. Page 9	Ref. Page 10	Ref. Page 13	Ref. Page 17		Ref. Page 21