

Welcome To **BUCHER** hydraulics

**POWER UNITS**

Our quality: We always adhere to the implementation of ISO9001 quality management system and continuously strengthen and improve internal management, as well as providing our customers with best quality products. Quality and service is our sincere commitment.



Search:

Position: Index >> Products

**Gear Pumps and Gear Motors    Power Units    Hydraulic Valves    Accessories**

DC Motor Pump Group 1

## DC Motor Pump Group 1

Genera Description

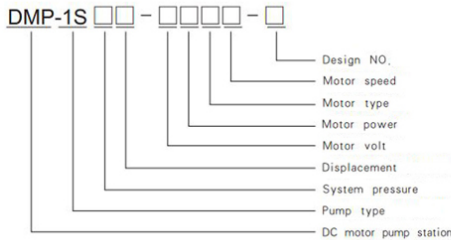


OIL SOLUTIONS

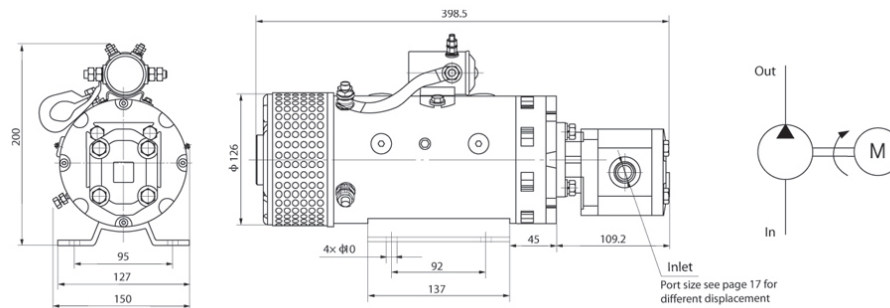
**PO Box 38**  
**Strathfieldsaye, VIC, 3551**  
**1800 OIL SOL**  
**1800 645 765**  
[sales@oilsolutions.com.au](mailto:sales@oilsolutions.com.au)  
[www.oilsolutions.com.au](http://www.oilsolutions.com.au)  
"For All Your Hydraulic Needs"

Consisting of a heavy duty DC motor and the CB1S gear pump, this pump- motor group is typically used as a power station of a complex hydraulic system.

### Ordering Code



### Outline Dimension



### Model Specifications

Model	Motor Volt	Motor Power	Displacement	System pressure	Rated Speed
DMP-1SE2.7-2MXU-A	24VDC	2.2KW	2.7mL/r	16MPa	2500rpm
DMP-1SF3.2-2BXU-A		3KW	3.2mL/r	20MPa	
DMP-1SE4-2BXU-A			4mL/r	16MPa	

DMP-1SD6-2BXU-A	6mL/r	10MPa
DMP-1SC9-2BXU-A	9mL/r	6.5MPa

#### Special Notes

- 1.The duty of this power unit is S3, i.e., 30 seconds on and 270 seconds off.
- 2.Clean all the hydraulic parts concerned before mounting the power unit.
- 3.Viscosity of the oil should be 15-68 cst, and the oil should be clean and free of impurities, N46 hydraulic oil is recommended
- 4.The pump station should be mounted horizontally.

Copyright: Bucher Hydraulics (Wuxi)Co.,Ltd. 编号: 苏ICP备18069474号-1