

Welcome To **BUCHER**  
hydraulics

### POWER UNITS

Our quality: We always adhere to the implementation of ISO9001 quality management system and continuously strengthen and improve internal management, as well as providing our customers with best quality products. Quality and service is our sincere commitment.



Search:

Position: Index >> Products

**Gear Pumps and Gear Motors**      **Power Units**      **Hydraulic Valves**      **Accessories**

DC Motor Pump Group 3

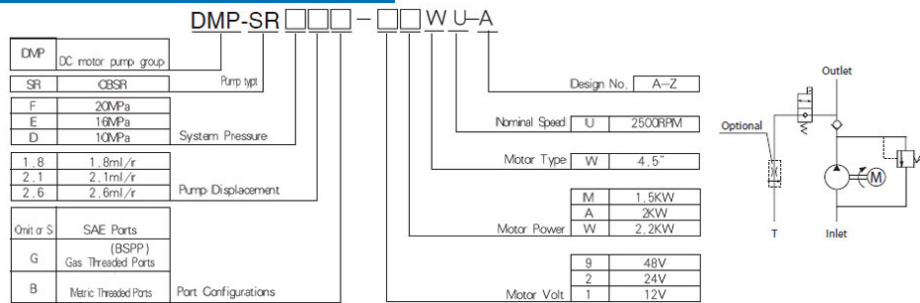
## DC Motor Pump Group 3

General Description

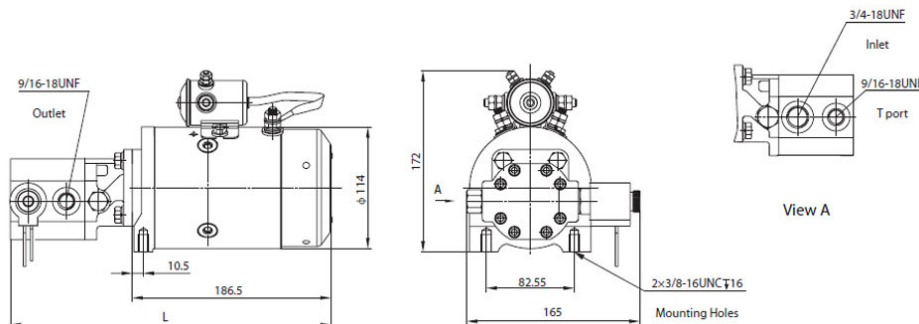


This motor pump consists of a 4.5±DC motor, a CBR gear pump with built-in relief valve and check valve. As a hydraulic power unit, it is widely used in hydraulic systems on mobile machines.

### Order Code



### Outline Dimension



### Technical Data

Model	Motor Volt	Motor power	Displacement	System pressure	Rated Speed	Dimensions(mm) L
-------	------------	-------------	--------------	-----------------	-------------	---------------------



OIL SOLUTIONS

PO Box 38  
Strathfieldsaye, VIC, 3551  
1800 OIL SOL  
1800 645 765

[sales@oilsolutions.com.au](mailto:sales@oilsolutions.com.au)

[www.oilsolutions.com.au](http://www.oilsolutions.com.au)

"For All Your Hydraulic Needs"

DMP-SRF1.8-1WWU-A	12VDC	1.5KW	1.8mL/r	20MPa	2500rpm	304
DMP-SRE2.1-1WWU-A			2.1mL/r	16MPa		305
DMP-SRF2.1-2AWU-A	24VDC	2KW		2.1mL/r		20MPa
DMP-SRF2.1-2MWU-A			2.2KW			2.6mL/r
DMP-SRE2.6-2MWU-A						

#### Special Notes

- 1.This power unit is of S3 duty cycle,which can only work intermittently and repeatedly, i.e., 1 minute on and 9 minutes off.
- 2.Clean all the hydraulic parts concerned before mounting the power unit.
- 3.Viscosity of the oil should be 15-68 cst, which should also be clean and free of impurities. N46 hydraulic oil is recommended.
- 4.The power station should be mounted horizontally.

Copyright: Bucher Hydraulics (Wuxi)Co.,Ltd. 编号: 苏ICP备18069474号-1