

DC 电机泵站 2

DC MOTOR PUMP GROUP 2

德力液压 **Deli**[®]

简介 General Description

此泵站由 CBR 系列齿轮泵与 4.5 英寸直流电机组成，泵里集成了溢流阀与单向阀。该产品作为液动力源广泛应用于移动设备液压系统。

This motor pump consists of a 4.5" DC motor, a CBR gear pump with built-in relief valve and check valve. As a hydraulic power unit, it is widely used in hydraulic systems on mobile machines.



型号说明 Order Code

DMP - R		WU - A	
DMP	DC 电机泵组 DC motor pump station	设计序号 Design No.	A-Z
R	CBR	名义转速 Nominal Speed	U 2500rpm
F	20MPa	电机类型 Motor Type	W 4.5"
E	16MPa	电机功率 Motor Power	M 2.2KW A 2.0KW W 1.5KW
D	10MPa	电机电压 Motor Volt	9 48V 2 24V 1 12V
1.8	1.8ml/r		
2.1	2.1ml/r		
2.6	2.6ml/r		

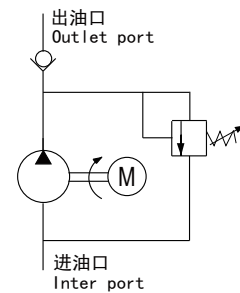
齿轮泵系列 Pump Series

工作压力 Operating Pressure

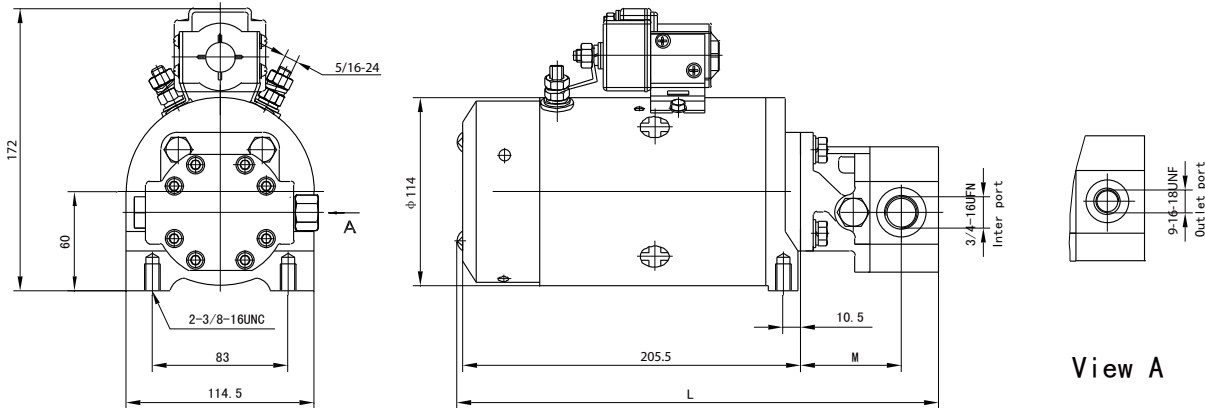
齿轮泵排量 Pump Displacement

系统工作原理

Hydraulic Circuit Diagram



外形尺寸图 Outline Dimension



技术参数 Technical Date

Model 型号	Motor Volt 电机电压	Motor Power 电机功率	Displacement 油泵排量	Speed 转速	Operating pressure 工作压力	尺寸 Dimension(mm)	
						M	L
DMP-RE1.8-1WU-A	12V	1.5KW	1.8mL/r	2500rpm	16MPa	65.3	299.3
DMP-RE2.1-2AWU-A	24V	2KW	2.1mL/r				300.3
DMP-RE2.1-2MWU-A		2.2KW	2.6mL/r		301.8		
DMP-RD2.6-2MWU-A			2.1mL/r		300.3		
DMP-RE2.1-9MWU-A	48v				16MPa	65.3	300.3

注意事项 Special Notes

1. 此动力单元不可连续运转 (1 分钟 ON, 9 分钟 OFF), 可重复工作。
2. 按装前必须保证油缸、油管、接头等液压元件清洁无任何杂质粘附。
3. 液压油粘度应为 15 ~ 68 CST, 应清洁无杂质, 推荐使用 N46 号液压油。
4. 本电机泵站适用于卧式安装。
5. 溢流阀预设压力通常比工作压力高约 25%。

- 1.The power unit is of S3 duty, which can only work intermittently and repeatedly,ie., 1minute on and 9 minutes off.
- 2.Clean all the hydraulic parts concerned before mounting the power unit.
- 3.Viscosity of the oil should be 15~68 cst,and the oil should be clean and free of impurities,N46 hydraulic oil is recommended .
- 4.The pump station should be mounted horizontally.
- 5.The relief valve pressure is preset about 25% higher than the operating pressure.