

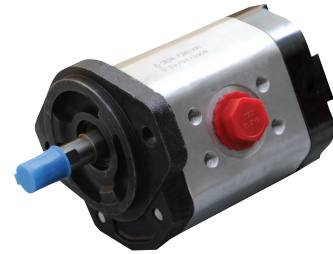
# CB2A 双向齿轮泵

## GROUP2 BI-DIRECTIONAL PUMPS

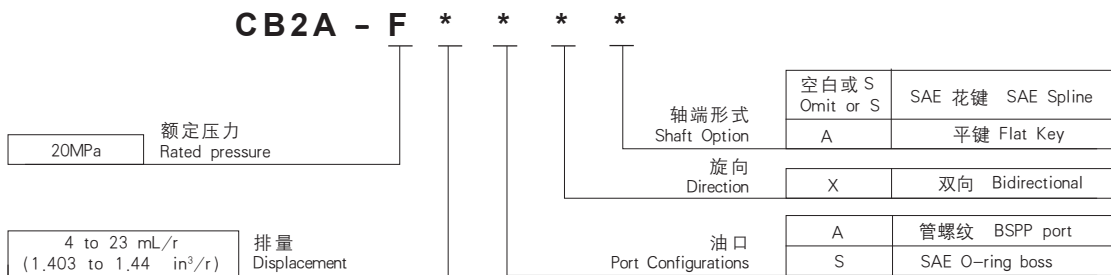
### 简介 General Description

CB2A 双向齿轮泵包含一对齿轮，一对轴套，一对前后盖以及泵体，该泵可通过轴套的浮动补偿来缩小轴向间隙，该泵的简易的结构，极高的机械效率、容积效率、可靠性，较低的噪音以及很高的单位质量能量输出，CB2A 双向齿轮泵适用于中小型的闭式液压回路，执行元件的换向通过改变油泵的转向来实现，不需要采用换向阀。

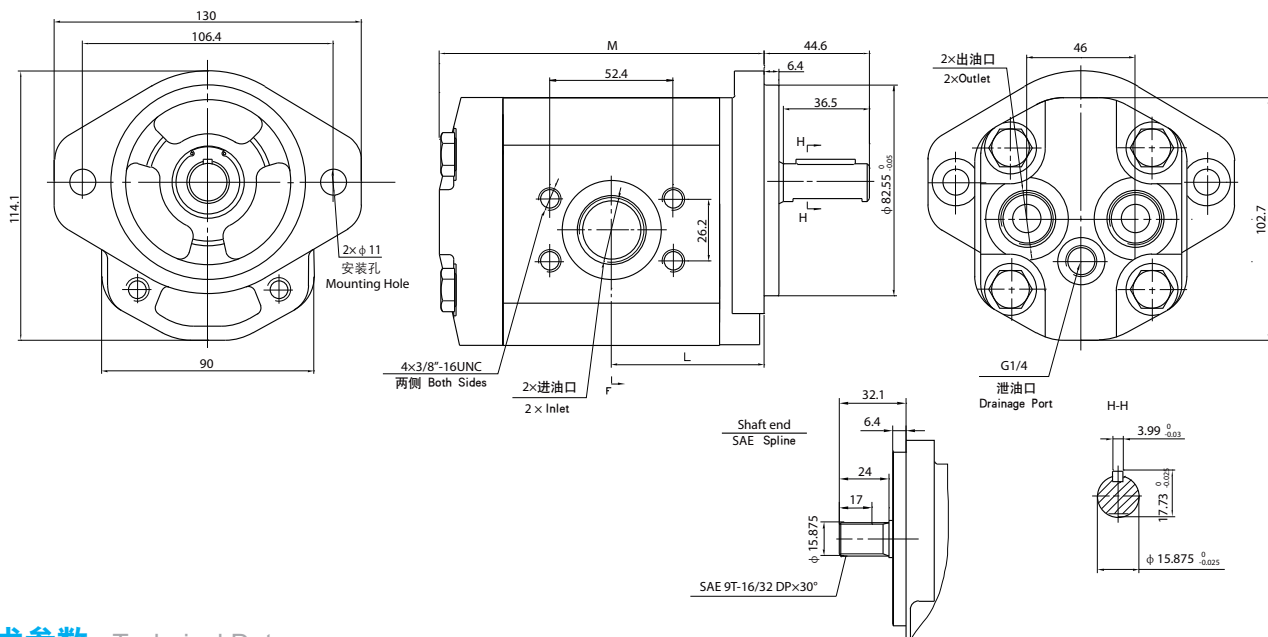
The CB2A Bi-directional gear pump consists of a gear pair supported by two aluminum bearing blocks, a housing, front cover and rear cover. The axial clearance can be automatically compensated by the bearing blocks. The CB2A pump features a simple structure, high mechanical and volumetric efficiency, low noise, high reliability, as well as low weight/power ratio. The pump can work in both cw and ccw directions. It is suitable for bidirectional hydraulic systems.



### 型谱 Order Code



### 外形尺寸图 Outline Dimension



### 技术参数 Technical Data

| Model<br>型号 | Displacement<br>排量<br>mL/r (in <sup>3</sup> /r) | 压力 Pressure |           |           | 转速 Speed          |                 | 尺寸 Dimension |         |                         |                       |       |
|-------------|---|-------------|-----------|-----------|-------------------|-----------------|--------------|---------|-------------------------|-----------------------|-------|
|             |   | P1<br>MPa   | P2<br>MPa | P3<br>MPa | 额定转速 Rated<br>rpm | 最高转速 Max<br>rpm | L<br>mm      | M<br>mm | 进油口<br>Inlet            | 出油口<br>Outlet         |       |
| CB2A-F4*X*  | 4.47 (0.2728)                                   | 20          | 25        | 28        | 2000              | 4000            | 45.6         | 102.5   | SAE port<br>1 1/8"-12UN | SAE port<br>7/8"-14UN |       |
| CB2A-F6*X*  | 6.37 (0.3887)                                   |             |           |           |                   |                 | 47           | 105.5   |                         |                       |       |
| CB2A-F7*X*  | 7.01 (0.4278)                                   |             |           |           |                   |                 | 47.6         | 106.5   |                         |                       |       |
| CB2A-F9*X*  | 9.57 (0.5840)                                   |             |           |           |                   |                 | 49.6         | 109.4   |                         |                       |       |
| CB2A-F11*X* | 11.49 (0.7012)                                  |             |           |           |                   |                 | 51.1         | 113.5   |                         |                       |       |
| CB2A-F14*X* | 14.04 (0.8568)                                  |             |           |           |                   |                 | 1500         | 20      | 22                      | 1500                  | 3200  |
| CB2A-F15*X* | 15.94 (0.9727)                                  | 2800        | 120.5     |           |                   |                 |              |         |                         |                       |       |
| CB2A-F17*X* | 17.76 (1.0900)                                  | 2500        | 123.5     |           |                   |                 |              |         |                         |                       |       |
| CB2A-F21*X* | 21.06 (1.2852)                                  | 2200        | 128.5     |           |                   |                 |              |         |                         |                       |       |
| CB2A-F23*X* | 23.61 (1.4408)                                  | 18          | 20        | 22        | 2000              | 58.6            |              |         |                         |                       | 128.5 |
|             |   |             |           |           |                   | 60.6            |              |         |                         |                       | 132.5 |