

Welcome To **BUCHER** hydraulics

POWER UNITS

Our quality: We always adhere to the implementation of ISO9001 quality management system and continuously strengthen and improve internal management, as well as providing our customers with best quality products. Quality and service is our sincere commitment.



Search:

Position: Index >> Products

Gear Pumps and Gear Motors **Power Units** **Hydraulic Valves** **Accessories**

Group2 Bi-directional Pumps

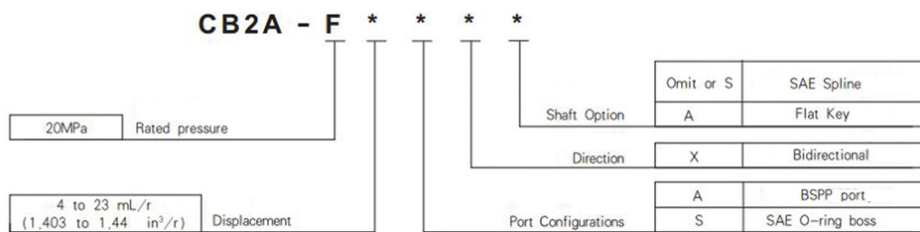
Group2 Bi-directional Pumps

[General Description](#)



The CB2A Bi-directional gear pump consists of a gear pair supported by two aluminum bearing blocks, a housing, front cover and rear cover. The axial clearance can be automatically compensated by the bearing blocks. The CB2A pump features are simple structure, high mechanical and volumetric efficiency, low noise, high reliability, as well as low weight/power ratio. The pump can work in both cw and ccw directions. It is suitable for bidirectional hydraulic systems.

Order Code



Outline Dimension



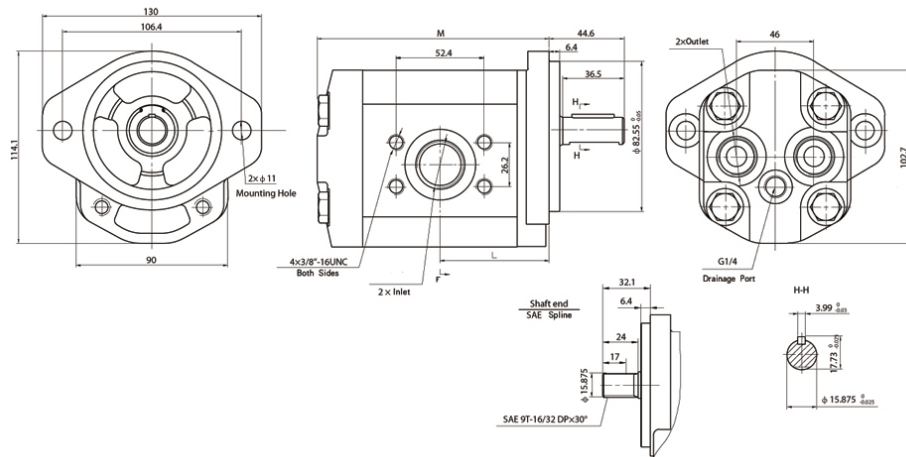
OIL SOLUTIONS

PO Box 38
Strathfieldsaye, VIC, 3551
1800 OIL SOL
1800 645 765

sales@oilsolutions.com.au

www.oilsolutions.com.au

"For All Your Hydraulic Needs"



Technical Data

Model	Displacement mL/r(in ³ /r)	Pressure			Speed		Dimension		Inlet	Outlet				
		P1 MPa	P2 MPa	P3 MPa	Rated rpm	Max rpm	L mm	M mm						
CB2A-F4*X*	4.47 (0.2728)	20	25	28	2000	4000	45.6	102.5	SAE port 1 ¹ / ₁₆ -12UN	SAE port 7 ⁷ / ₁₆ -14UN				
CB2A-F6*X*	6.37 (0.3887)						47	105.5						
CB2A-F7*X*	7.01 (0.4278)						47.6	106.5						
CB2A-F9*X*	9.57 (0.5840)						49.6	109.4						
CB2A-F11*X*	11.49 (0.7012)						51.1	113.5						
CB2A-F14*X*	14.04 (0.8568)						1500	9200			53.1	117.5	BSPP port G3/4"	BSPP port G1/2"
CB2A-F15*X*	15.94 (0.9727)							2800			54.6	120.5		
CB2A-F17*X*	17.76 (1.0900)	2500	56.1	123.5										
CB2A-F21*X*	21.06 (1.2852)	2200	58.6	128.5										
CB2A-F23*X*	23.61 (1.4408)	18	20	22	2000	60.6	132.5							

Copyright: Bucher Hydraulics (Wuxi)Co.,Ltd. 编号: 苏ICP备18069474号-1