

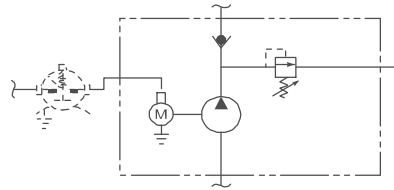
3 D.C. Hydraulic Power Systems

3.1 Model M-3226 Mini System (Formerly M-255)

Description

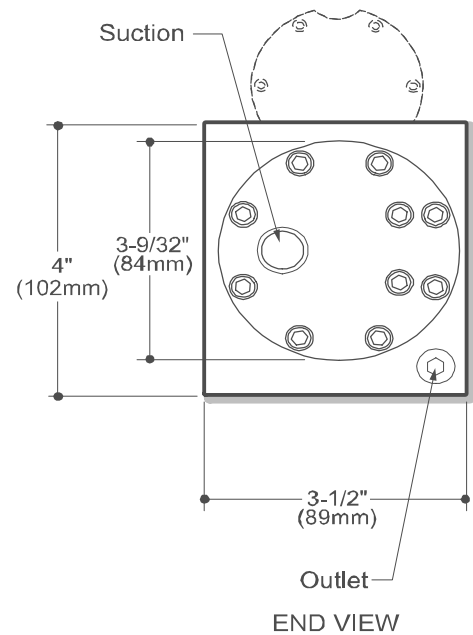
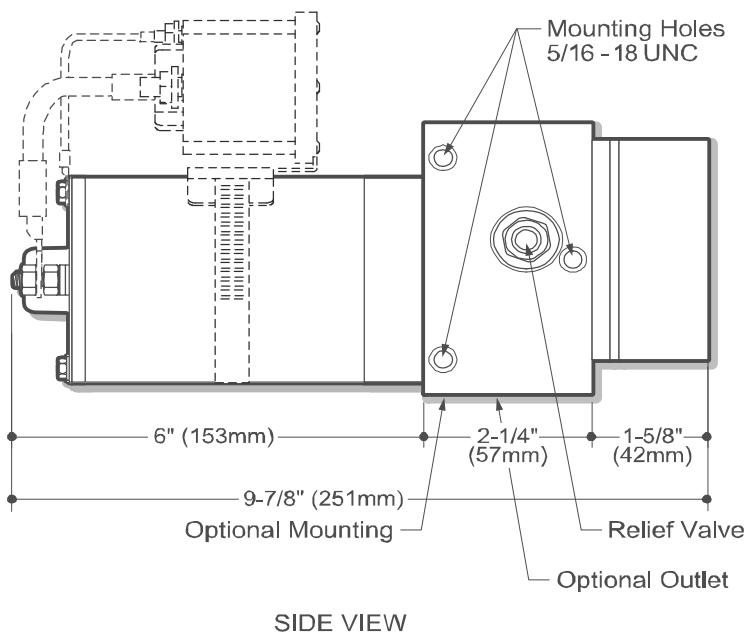
- Pump Motor Unit
- Check Valve
- Externally Adjustable Relief Valve
- .375 Inch NPT Suction
- 7/16-20 SAE Outlet Port

Schematic



Popular Options

- Motor Start Solenoid and Cable



How to Order Your M-3226 Mini System

Comprehensive information may be found on the page referenced below each selection category.

Shown as standard with:

Pump	Motor	Voltage	Motor Start Switch	Accessories
i-pump (req'd.)	08053	12		
Ref. Page 51	Ref. Page 50		Ref. Page 87	Ref. Page 90



1800-OILSOL
1800-645765

<https://oilsolutions.com.au/>

sales@oilsolutions.com.au