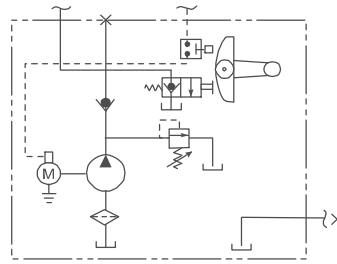


3.5 Model M-3301 (Formerly M-301)

Description

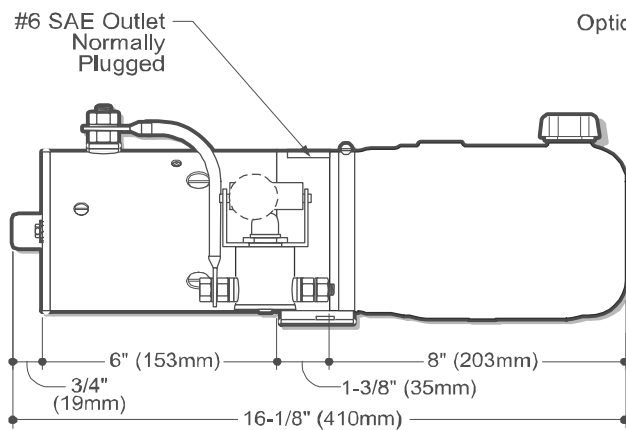
- Pump / Motor / Reservoir / Unit
- Manually Operated 2-Way/2-Position Normally Closed Valve With Motor Start Switch
- Check Valve
- Externally Adjustable Relief Valve
- #4 SAE Outlet
- Horizontal Mounting Standard

Schematic

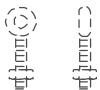


Popular Options

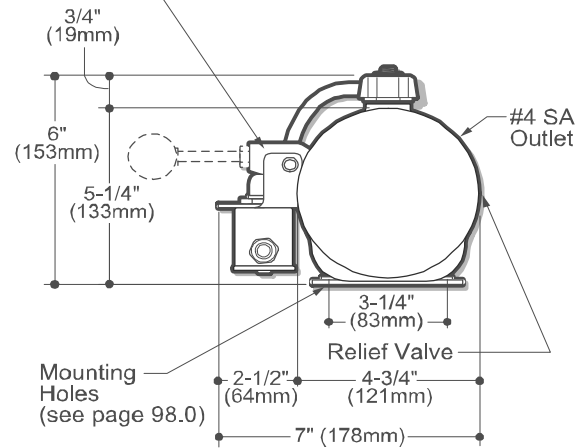
- Vertical Mounting / Motor Up



Optional Eye-Bolt



Optional Handle Location



How to Order Your M-3301

Comprehensive information may be found on the page referenced below each selection category.

Shown as standard with:

Pump	Motor	Voltage	Reservoir (Length)	Mounting Bracket	Mounting Position	Accessories
	08111	12	06102	04560	Horizontal	
Ref. Page	Ref. Page 52		Ref. Page 76-86	Ref. Page 91		Ref. Page 92



1800-OILSOL
1800-645765

<https://oilsolutions.com.au/>

sales@oilsolutions.com.au