

### 3.3 Model M-3304 (Formerly M-304)

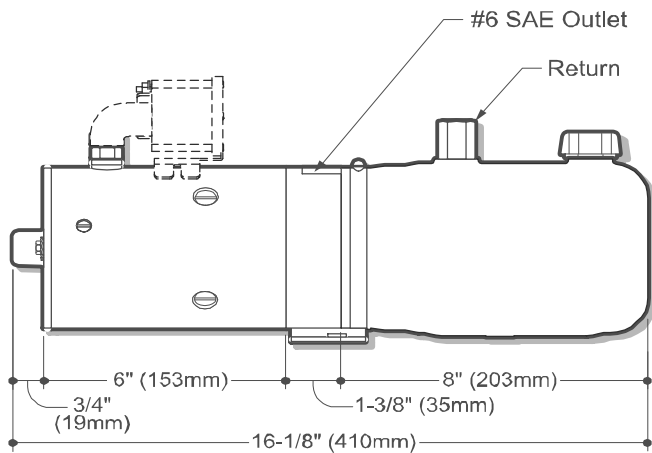
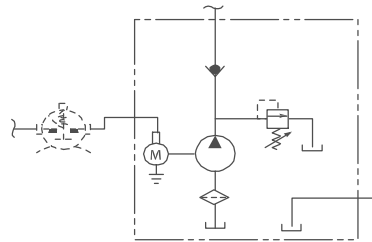
#### Description

- Pump / Motor / Reservoir / Unit
- Check Valve
- Externally Adjustable Relief Valve
- #6 SAE Outlet
- .250 NPT Return
- Horizontal Mounting Standard

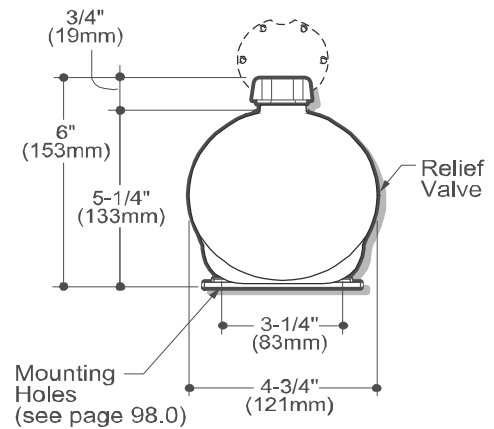
#### Popular Options

- Vertical Mounting / Motor Up

#### Schematic



SIDE VIEW



END VIEW

#### How to Order Your M-3304

Comprehensive information may be found on the page referenced below each selection category.

Shown as standard with:

Pump	Motor	Voltage	Reservoir (Length)	Motor Start Switch	Mounting Bracket	Mounting Position	Accessories
	08111	12	06102		04560	Horizontal	
Ref. Page	Ref. Page 52		Ref. Page 76-86	Ref. Page 89	Ref. Page 91		Ref. Page 92



1800-OILSOL  
1800-645765

<https://oilsolutions.com.au/>

sales@oilsolutions.com.au