

## 3.19 Model M-3310 (Formerly M-310)

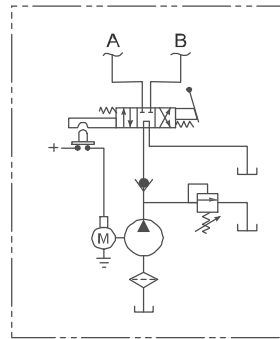
### Description

- Pump / Motor / Reservoir / Valve
- Check Valve
- 4-Way Manually Operated Valve With Cam Actuated Motor Start Switch
- Externally Adjustable Relief Valve
- .250 Inch NPT Outlets
- Horizontal Mounting Standard

### Popular Options

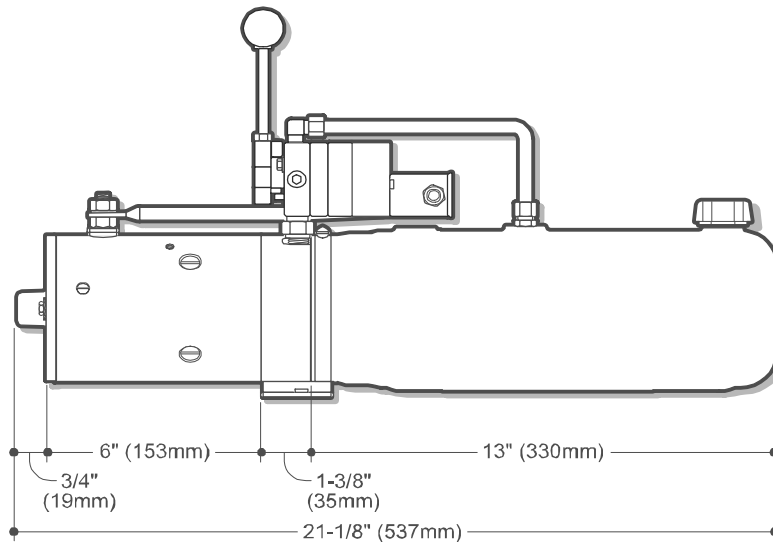
- .Orifice For Controlling Pressure on A and/or B Ports Available
- Vertical Mounting / Motor Up
- #4 SAE Outlet

### Schematic

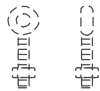


OIL SOLUTIONS

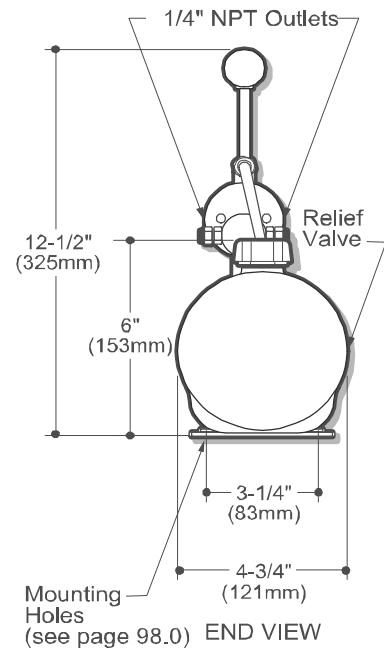
PO Box 38  
 Strathfieldsaye, VIC, 3551  
 1800 OIL SOL  
 1800 645 765  
[sales@oilsolutions.com.au](mailto:sales@oilsolutions.com.au)  
[www.oilsolutions.com.au](http://www.oilsolutions.com.au)  
 "For All Your Hydraulic Needs"



Optional Eye-Bolt



SIDE VIEW



Mounting Holes (see page 98.0) END VIEW

### How to Order Your M-3310

Comprehensive information may be found on the page referenced below each selection category.

Shown as standard with:

Pump	Motor	Voltage	Reservoir (Length)	Mounting Bracket	Mounting Position	Accessories
	08111	12	06105	04560	Horizontal	
Ref. Page	Ref. Page 52		Ref. Page 76-86	Ref. Page 91		Ref. Page 92