



OIL SOLUTIONS

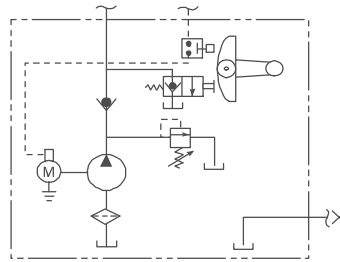
PO Box 38
 Strathfieldsaye, VIC, 3551
 1800 OIL SOL
 1800 645 765
sales@oilsolutions.com.au
www.oilsolutions.com.au
 "For All Your Hydraulic Needs"

3.7 Model M-3313 (Formerly M-313)

Description

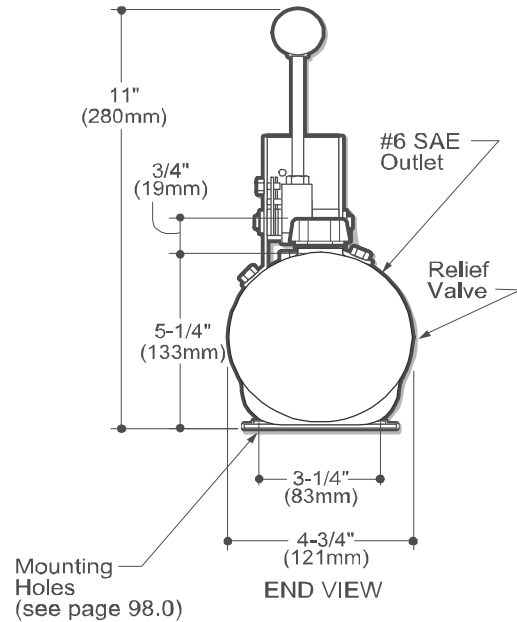
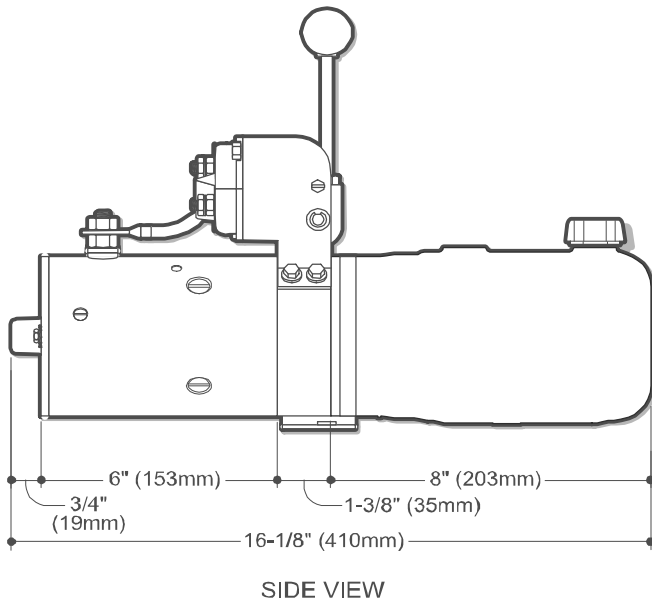
- Pump / Motor / Reservoir / Valve
- Manually Operated 2-Way/2-Position Normally Closed Valve With Motor Start Switch. Valve Handle Travel Is Inline With Motor
- Check Valve
- Externally Adjustable Relief Valve
- #6 SAE Outlet
- Horizontal Mounting Standard

Schematic



Popular Options

- Metered Lowering Valve Housing For Fine Control of Lowering Speed
- .250 Inch NPT Outlet
- Vertical Mounting / Motor Up



Optional Eye-Bolt



How to Order Your M-3313

Comprehensive information may be found on the page referenced below each selection category.

Shown as standard with:

Pump	Motor	Voltage	Reservoir (Length)	Mounting Bracket	Mounting Position	Accessories
	08111	12	06102	04560	Horizontal	
Ref. Page	Ref. Page 52		Ref. Page 76-86	Ref. Page 91		Ref. Page 92