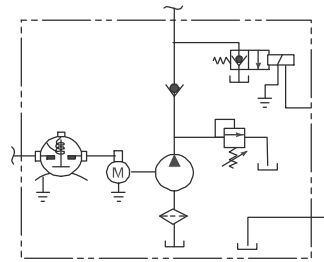


3.11 Model M-3319 (Formerly M-319)

Description

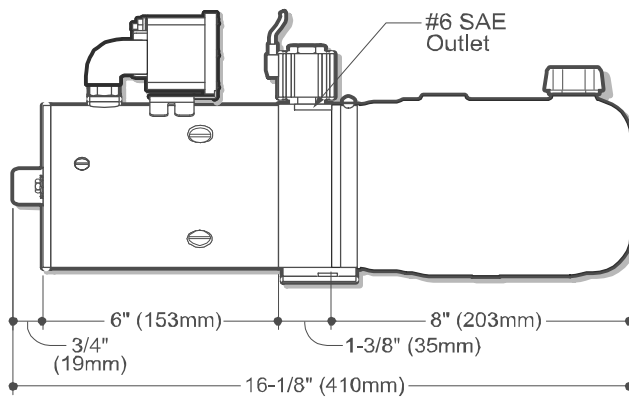
- Pump / Motor / Reservoir / Valve
- Check Valve
- 2-Way/2-Position Normally Closed Solenoid Operated Lowering Valve
- Externally Adjustable Relief Valve
- #6 SAE Outlet
- Horizontal Mounting Standard

Schematic

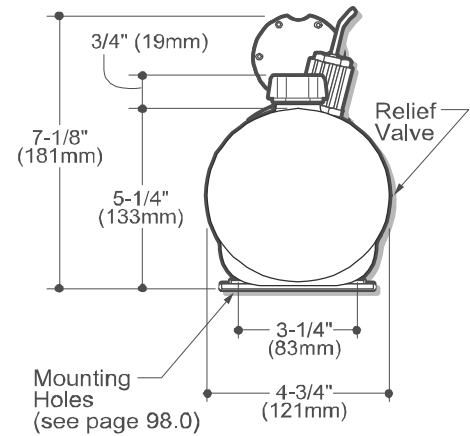


Popular Options

- Control Box and Cord
- Vertical Mounting / Motor Up



SIDE VIEW



END VIEW

How to Order Your M-3319

Comprehensive information may be found on the page referenced below each selection category.

Shown as standard with:

Pump	Motor	Voltage	Reservoir (Length)	Motor Start Switch	Mounting Bracket	Mounting Position	Accessories	Control Boxes
	08111	12	06102	17757	04560	Horizontal		
Ref. Page	Ref. Page 52		Ref. Page 76-86	Ref. Page 89	Ref. Page 91		Ref. Page 92	Ref. Page 90



1800-OILSOL
1800-645765

<https://oilsolutions.com.au/>

sales@oilsolutions.com.au