

3.4 Model M-3504

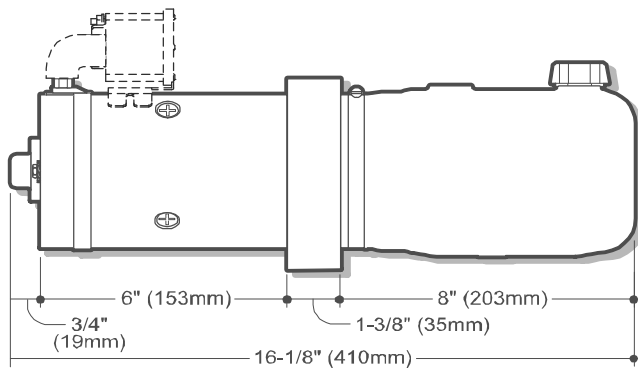
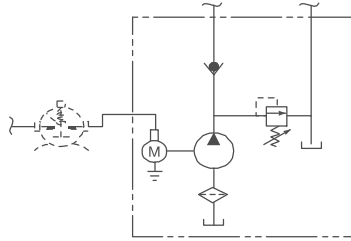
Description

- Pump / Motor / Reservoir / Unit
- Check Valve
- Externally Adjustable Relief Valve
- #6 SAE Outlet
- #6 SAE Return
- Horizontal Mounting Standard

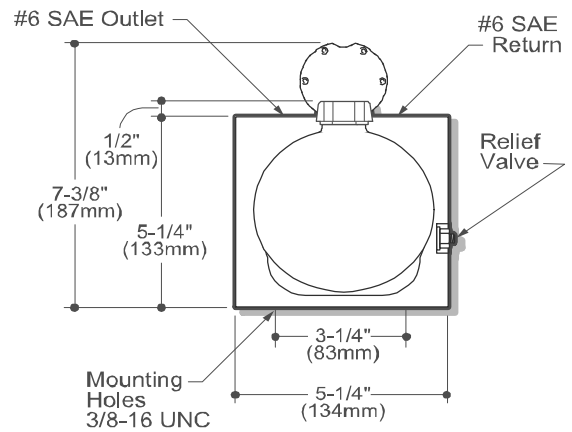
Popular Options

- Vertical Mounting / Motor Up

Schematic



SIDE VIEW



END VIEW

How to Order Your M-3504

Comprehensive information may be found on the page referenced below each selection category.

Shown as standard with:

Pump	Motor	Voltage	Reservoir (Length)	Motor Start Switch	Mounting Position	Accessories
	08111	12	06102		Horizontal	
Ref. Page	Ref. Page 52		Ref. Page 76-86	Ref. Page 89		Ref. Page 92



1800-OILSOL
1800-645765

<https://oilsolutions.com.au/>

sales@oilsolutions.com.au