

3.23 Model M-3547

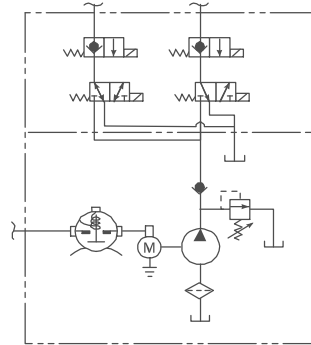
Description

- Pump / Motor / Reservoir / Valve
- Check Valve
- 2 x 2-Way /2-Position and 2 x 3-Way/2-Position Solenoid Operated Cartridge Valves Located Externally and Manifolded Directly to Power Unit. Circuit Operates One Double Acting Cylinder With Both Ports Positively Checked
- Externally Adjustable Relief Valve
- #6 SAE Outlet
- Horizontal Mounting Standard

Popular Options

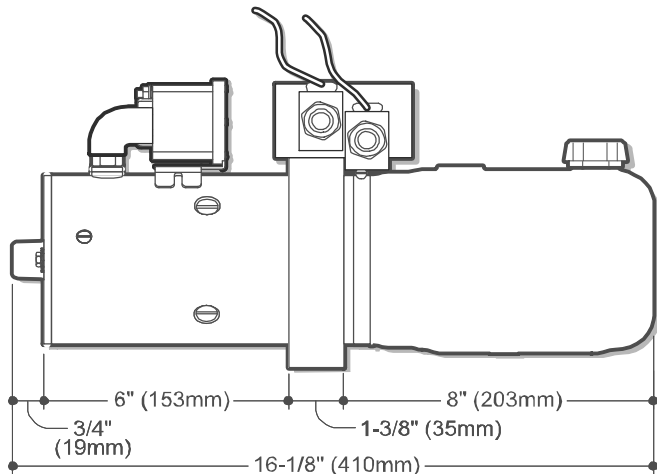
- Unit May be Wired to Independently Operate 2 x Single Acting Cylinders. Consult Factory For Proper Control Station
- Externally Adjustable Relief Valve May Be Installed In C1 or C2 Port
- 04286 Valve Spacer is Available to Provide Additional Clearance for Large Reservoirs when Required
- Vertical Mounting / Motor Up

Schematic

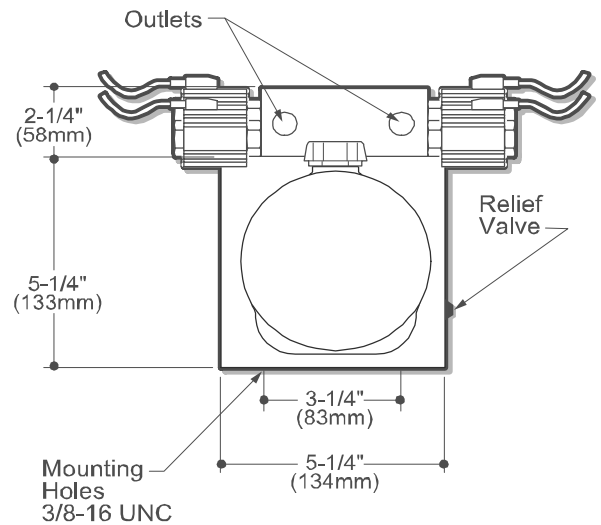


OIL SOLUTIONS

PO Box 38
 Strathfieldsaye, VIC, 3551
 1800 OIL SOL
 1800 645 765
sales@oilsolutions.com.au
www.oilsolutions.com.au
 "For All Your Hydraulic Needs"



SIDE VIEW



END VIEW

How to Order Your M-3547

Comprehensive information may be found on the page referenced below each selection category.

Shown as standard with:

Pump	Motor	Voltage	Reservoir (Length)	Motor Start Switch	Mounting Position	Accessories	Control Boxes
	08111	12	06102	17757	Horizontal		
Ref. Page	Ref. Page 52		Ref. Page 76-86	Ref. Page 89		Ref. Page 92	Ref. Page 90