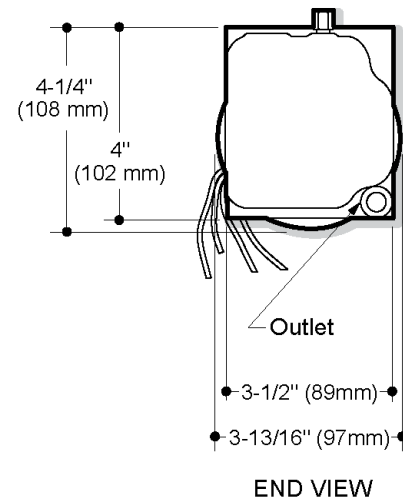
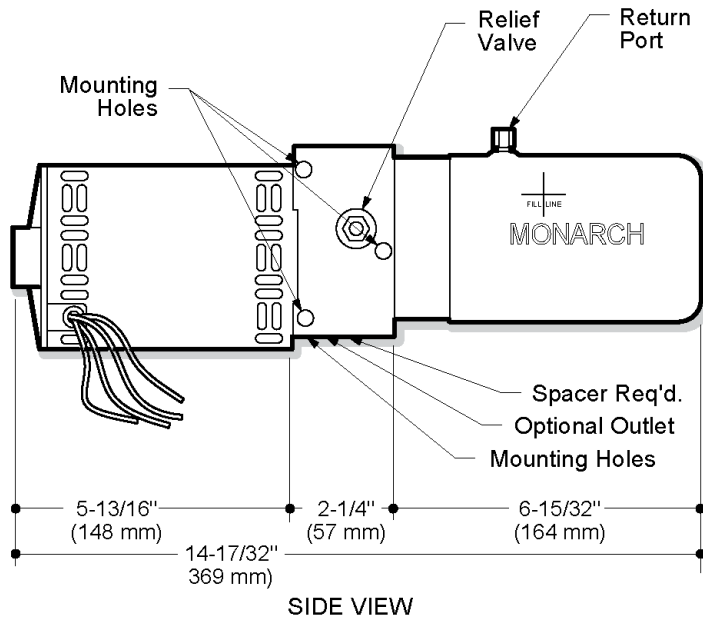
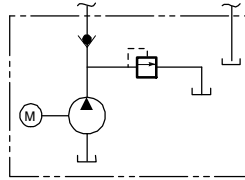


3.3 Model M-4204 Mini System (Formerly M-454)

Description

- Pump / Motor / Reservoir / Unit
- Externally Adjustable Relief Valve
- 7/16-20 SAE O-Ring Outlet Port, 3/8" NPT Return
- Horizontal Mounting Standard
- Vertical Mounting / Motor Up

Schematic



How to Order Your M-4204 Mini System

Comprehensive information may be found on the page referenced below each selection category.

Pump	Motor	Reservoir	Mounting Position	Accessories
Ref. Page 9	Ref. Page 10	Ref. Page 16		Ref. Page 20



1800-OILSOL
1800-645765

<https://oilsolutions.com.au/>

sales@oilsolutions.com.au