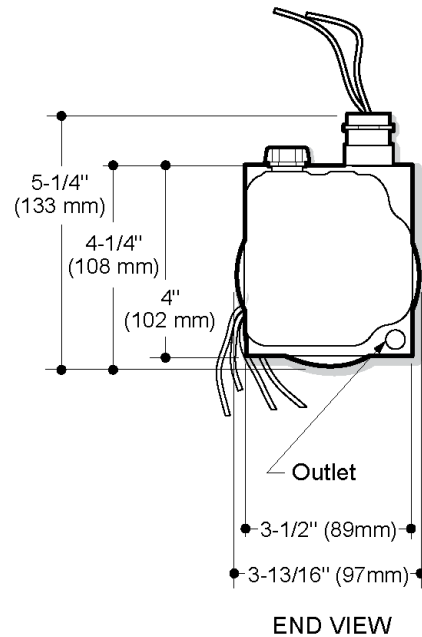
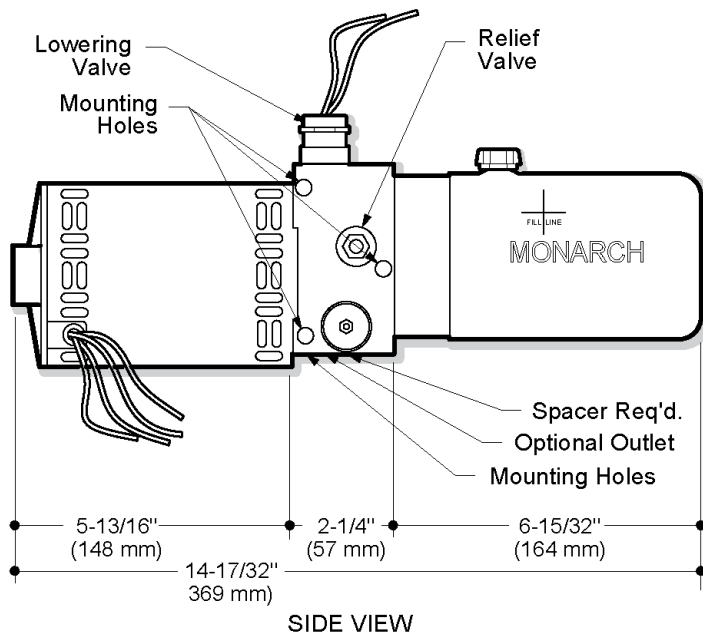
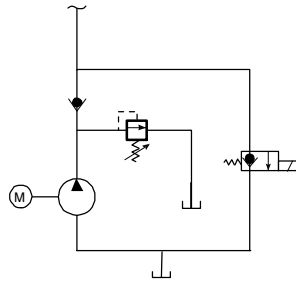


3.10 Model M-4219 (Formerly M-459)

Description

- Pump / Motor / Reservoir / Unit
- Check Valve
- Externally Adjustable Relief Valve
- 2-Way/2-Position Normally Closed Solenoid Operated Lowering Valve
- Outlet Port Options:
Check Valve Port 7/16-20 SAE O-Ring or
Face Port: 7/16-20 SAE O-Ring
- Horizontal Mounting Standard
- Vertical Mounting (Motor Up) Optional

Schematic



How to Order Your M-4219 Power System

Comprehensive information may be found on the page referenced below each selection category.

| Pump | Motor | Reservoir | Mounting Position | Accessories |
|-------------|--------------|--------------|-------------------|--------------|
| Ref. Page 9 | Ref. Page 10 | Ref. Page 16 | | Ref. Page 20 |



1800-OILSOL
1800-645765

<https://oilsolutions.com.au/>

sales@oilsolutions.com.au