

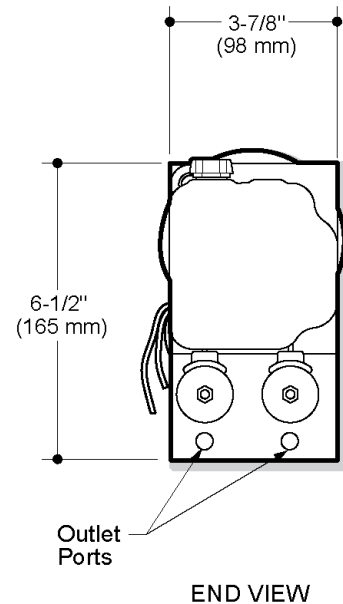
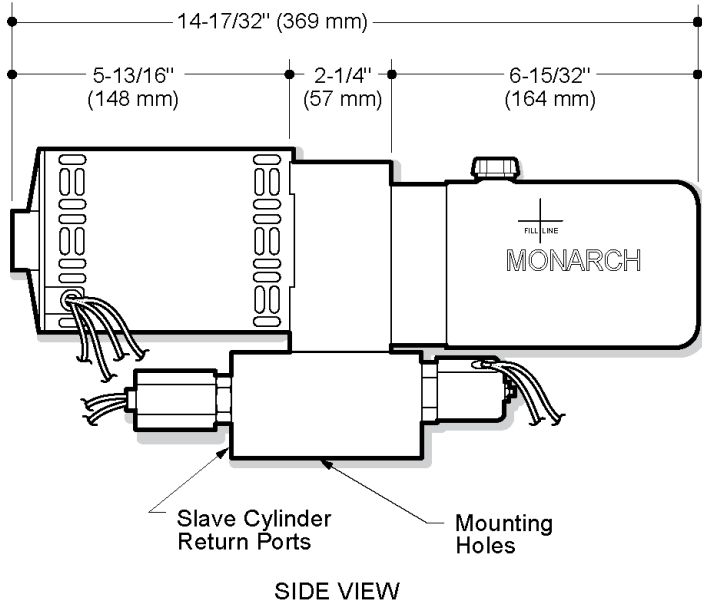
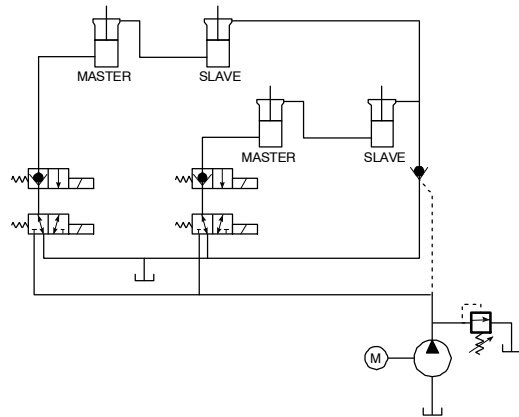
3.25 Model M-4257 (Formerly M-457)

Description

- Pump/Motor/Reservoir/Valve Unit
- Independent Operation of Two Single Acting Master/Slave Cylinder Circuits
- Cartridge Valve Block Manifolded Directly to Power Unit
- .125 Inch NPT Outlets
- Horizontal Mounting Standard
- Vertical Mounting / Motor Up

NOTE: Consult factory regarding return flow limitations.

Schematic



How to Order Your M-4257 Mini System

Comprehensive information may be found on the page referenced below each selection category.

Pump	Motor	Reservoir	Mounting Position	Accessories
Ref. Page 9	Ref. Page 10	Ref. Page 16		Ref. Page 20



1800-OILSOL
1800-645765

<https://oilsolutions.com.au/>

sales@oilsolutions.com.au