

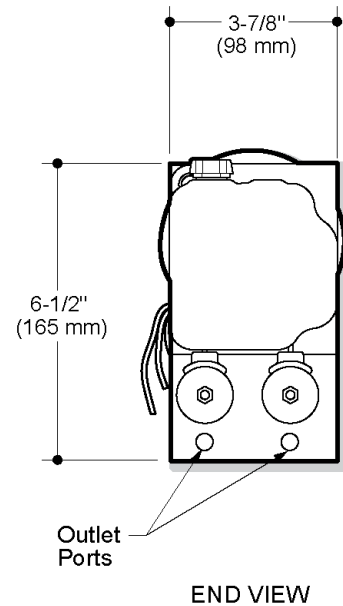
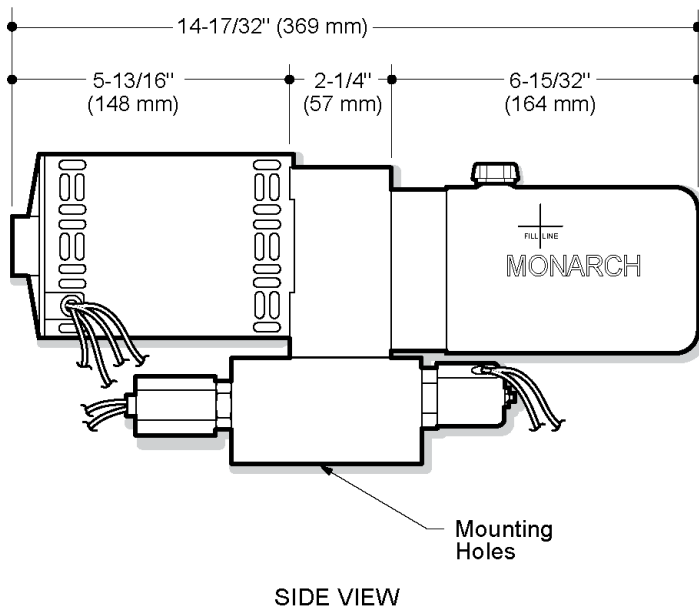
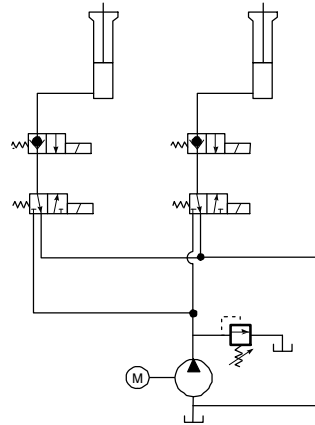
## 3.24 Model M-4266 (Formerly M-466)

### Description

- Pump/Motor/Reservoir/Valve Unit
- Cartridge Valve Block Manifolded Directly to Power Unit
- Controls 2 Single Acting Cylinders Independently
- .125 Inch NPT Outlets
- Horizontal Mounting Standard
- Vertical Mounting / Motor Up

NOTE: Consult factory regarding return flow limitations.

### Schematic



### How to Order Your M-4266 Mini System

Comprehensive information may be found on the page referenced below each selection category.

| Pump        | Motor        | Reservoir    | Mounting Position | Accessories  |
|-------------|--------------|--------------|-------------------|--------------|
| Ref. Page 9 | Ref. Page 10 | Ref. Page 16 |                   | Ref. Page 20 |



1800-OILSOL  
1800-645765

<https://oilsolutions.com.au/>

[sales@oilsolutions.com.au](mailto:sales@oilsolutions.com.au)