

3.26 Model M-4593-C

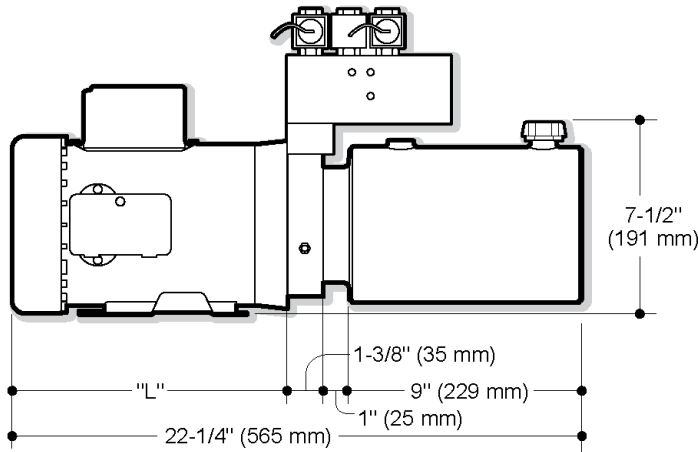
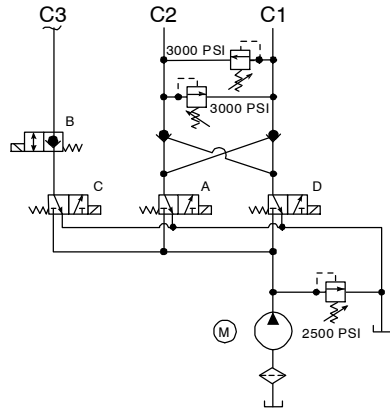
Description

- Pump/Motor/Reservoir/Valve Unit
- Externally Adjustable Relief Valve
- Solenoid Cartridge Valves, Pilot Operated
- Check Valves, and Adjustable Cross-Over Relief System Mounted in a Compact Manifold
- Horizontal Mounting Standard

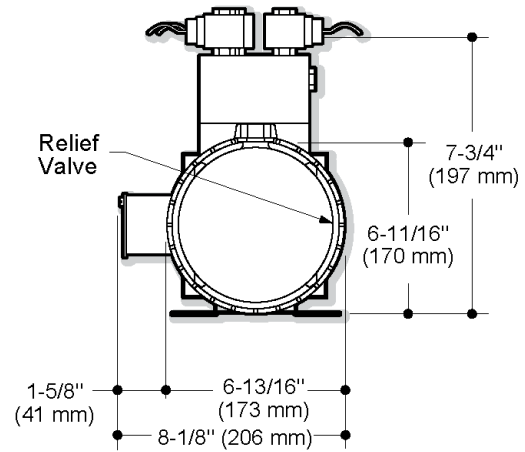
Popular Features

- Vertical Mounting, Motor Up

Schematic



SIDE VIEW



END VIEW

"L" dimension shown for 08751 motor is 10-11/16" (271 mm)
 Dimensions will vary according to motor output and manufacturer

How to Order Your M-4593-C Mini System

Comprehensive information may be found on the page referenced below each selection category.

Pump	Motor	Adapter	Reservoir (Length)	Mounting Position	Accessories
Ref. Page 9	Ref. Page 10	Ref. Page 11	Ref. Page 13		Ref. Page 20



1800-OILSOL
 1800-645765

<https://oilsolutions.com.au/>

sales@oilsolutions.com.au