

## Remote control manifolds for hydraulic operated control valves and variable pumps

### Description

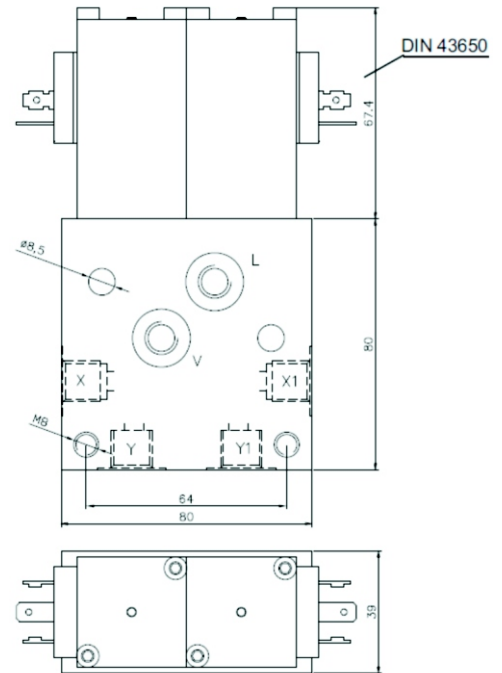
The proportional IT128 block can be used with a remote control to drive servo controlled hydraulic machines. Look at it as a good alternative to add an additional control to the system currently installed on the machine (ex. hydraulic joysticks on the driver's cab).

A variation of the command current (PWM) of the coils of the block changes proportionally its flow, moving the machine hydraulic directional valve.

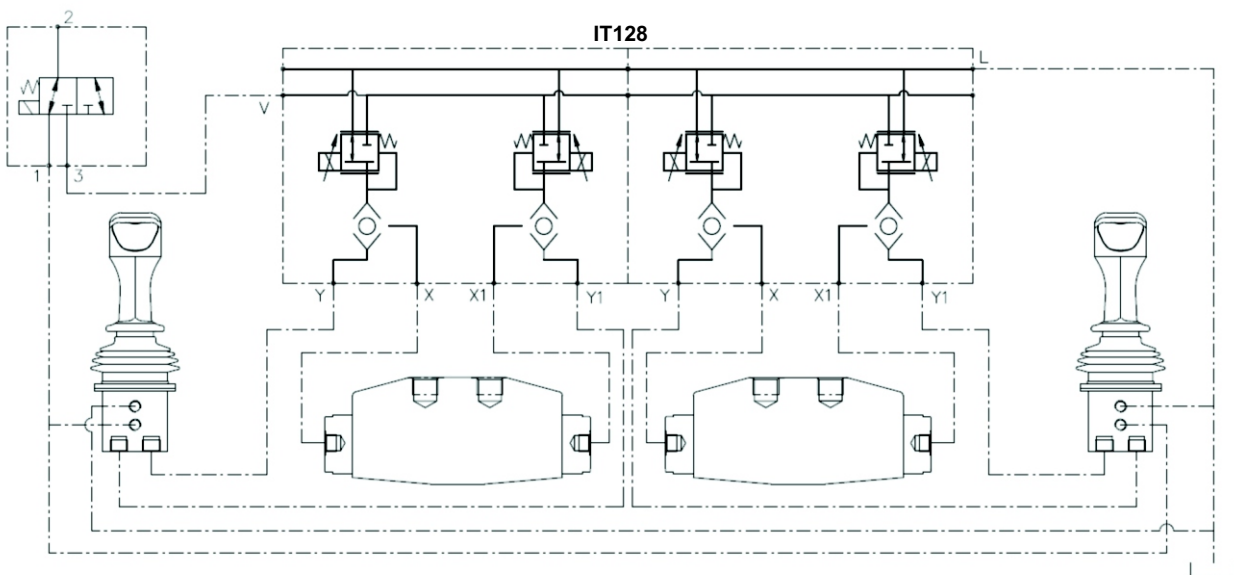
Since the driver's cab joysticks of the machine are no more essential, the driver can move near the machine working field (e.g. to verify that the work is done correctly) or far from it increasing his safety.

It has been designed in modular form allowing the assembly of sections up to 8 functions.

On request, we can supply also an exchange solenoid valve to select the working mode of the machine (manual or remote controlled).



### Application



### Technical specifications

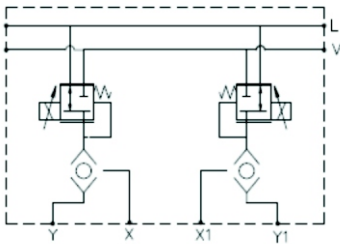
Power supply	12V or 24V DC	Coils resistance	12V=3.70hm 24V=15.50hm
Max pressure in V	50 bar	Max pressure in X:X1	28 bar
Max pressure in L	1 bar	Hysteresis	5%
Max flow	2 L/min	Protection class	IP65
Max current	12V=1.6A 24V=0.8A	Weight	2,5 Kg (single section)
Frequency	120 Hz	Filtration	10 micron

### Available versions

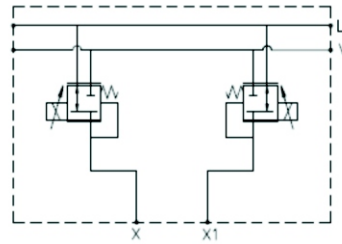
Our IT128 is available in 2 different versions that can be chosen according to the application requirements:

- Scheme 0 allows to keep the original control of the machine, by means of hydraulic joysticks, together with the remote control option
- Scheme 1 removes the original control of the machine, keeping active only the remote control option

**Scheme 0**



**Scheme 1**



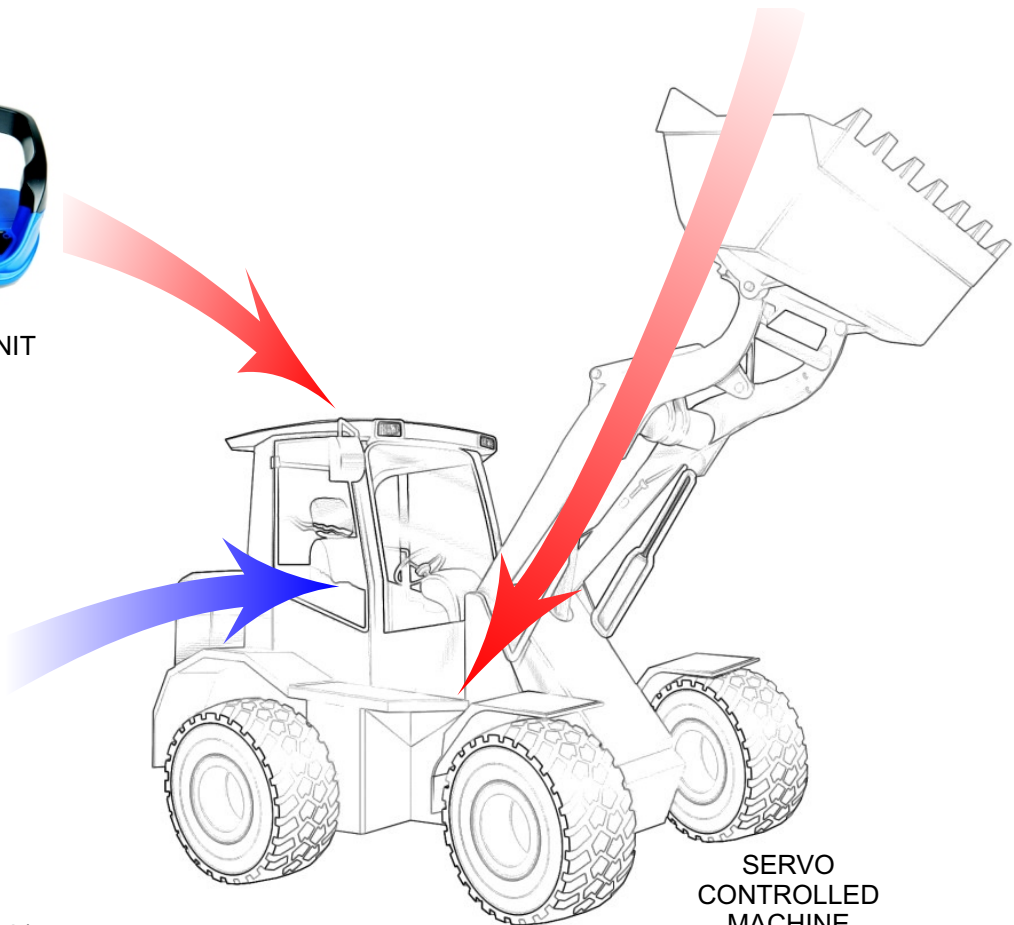
**HYDRAULIC  
BLOCK  
(to remote control)**



**RADIO PORTABLE UNIT  
(to remote control)**



**HYDRAULIC  
JOYSTICKS  
(to control from driver's cab)**



**SERVO  
CONTROLLED  
MACHINE**