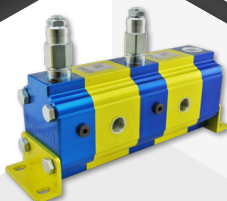


Hydraulics Network

CATALOGUE **2026**
POWER TRANSMISSION



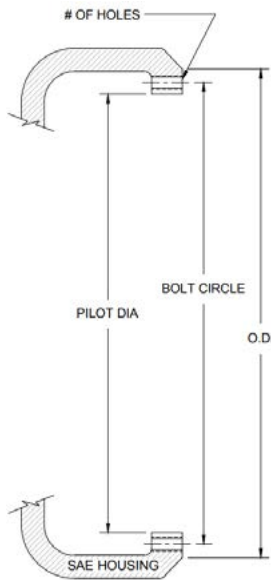
MiMOTION

**TECH
DATA**

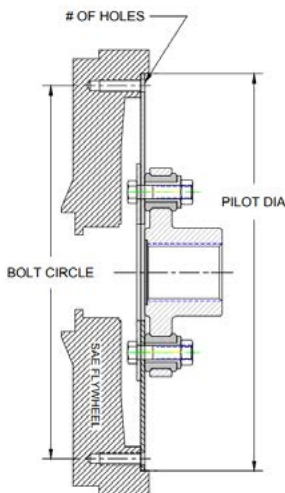
FLYWHEEL DRIVE PLATE	HEX-FLX HUB	PUMP MOUNT PLATE
B-065 (6-1/2" Flywheel)	HB2-05 (5/8" Straight Keyed)	GN2 (SAE A/SAE 5)

Example part number: B-065-HB2-05-GN2

FLYWHEEL DRIVE PLATE	HEX-FLX HUB	PUMP MOUNT PLATE
B-065	HB2-39	HN2
C-075	HB2-07	H02
C-080	HB1-41	H04
C-010	HB1-43	GN2
DT-115	HB2-88	G02
	HB1-91	G024
	HB2-92	GX4
	HB1-89	ESP1
	HC1-39	E02
	HC1-07	E024
	HC1-41	EX24
	HC1-43	EX4
	HC1-88	DO24
	HC1-91	DX24
	HC1-92	DS4
	HC1-89	CO24
	HC1-94	CX2
	HC4-91	CX4
	HC5-39	CS4
	HC4-09	
	HC3-07	
	HC3-41	
	HC3-43	
	HC4-88	
	HC3-91	
	HC3-92	
	HC3-89	
	HC3-94	
	HDT3-S3	
	HDT2-90	
	HDT1-92	



SAE Housing



SAE Flywheel

HB2-39
HB2-07
HB1-41
HB1-43
HB2-88
HB1-91
HB2-92
HB1-89
HC1-39
HC1-07
HC1-41
HC1-43
HC1-88
HC1-91
HC1-92
HC1-89
HC1-94
HC4-91
HC5-39
HC4-09
HC3-07
HC3-41
HC3-43
HC4-88
HC3-91
HC3-92
HC3-89
HC3-94
HDT3-S3
HDT2-90
HDT1-92



MADE IN U.S.A.

**TECH
DATA**

Flywheel Drive Plates						
Part #	Flywheel	Pump	Flywheel Dimensions			HP Range
			Bolt Circle	Pilot Diameter	# of Holes	
B-065	6-1/2"	SAE A/B/C	200.025mm 7.875"	215.9mm 8.5"	6 @ 8.7mm	30-75 hp
C-075	7-1/2"	SAE A/B/C	222.25mm 8.75"	241.3mm 9.5"	8 @ 8.7mm	65-175 hp
C-080	8"	SAE A/B	263.52mm 10.375"	244.47mm 9.625"	6 @ 10.5mm	65-175 hp
C-010	10"	SAE A/B/C	295.2mm 11.625"	314.325mm 12.375"	8 @ 10.5mm	65-175 hp
DT-115	11-1/2"	SAE C/D/E	352.42mm 13.875"	33.37mm 13.125"	8 @ 10.5mm	200-600 hp

**TECH
DATA**

Pump Shaft Coupling HEX-FLX Hubs								
Part #	Flywheel	Shaft Size	Spline OD	Keyway	Pump Flange	Torque		HP Rating
						Nominal	Max	
HB2-39	6.1/2"	5/8" straight keyed	-	5/32"	SAE A	225	365	20-75 hp
HB2-07	6.1/2"	3/4" straight keyed	-	3/16"	SAE A	225	365	20-75 hp
HB1-41	6.1/2"	7/8" straight keyed	-	1/4"	SAE B	225	365	20-75 hp
HB1-43	6.1/2"	1.1/4" straight keyed	-	5/16"	SAE C	225	365	20-75 hp
HB2-88	6.1/2"	9 tooth spline	5/8"	-	SAE A	225	365	20-75 hp
HB1-91	6.1/2"	13 tooth spline	7/8"	-	SAE B	225	365	20-75 hp
HB2-92	6.1/2"	14 tooth spline	1.1/4"	-	SAE C	225	365	20-75 hp
HB1-89	6.1/2"	15 tooth spline	1"	-	SAE A	225	365	20-75 hp
HC1-39	7.1/2"	5/8" straight keyed	-	5/32"	SAE A	585	1125	75-200 hp
HC1-07	7.1/2"	3/4" straight keyed	-	3/16"	SAE A	585	1125	75-200 hp
HC1-41	7.1/2"	7/8" straight keyed	-	1/4"	SAE B	585	1125	75-200 hp
HC1-43	7.1/2"	1.1/4" straight keyed	-	5/16"	SAE C	585	1125	75-200 hp
HC1-88	7.1/2"	9 tooth spline	5/8"	-	SAE A	585	1125	75-200 hp
HC1-91	7.1/2"	13 tooth spline	7/8"	-	SAE B	585	1125	75-200 hp
HC1-92	7.1/2"	14 tooth spline	1.1/4"	-	SAE C	585	1125	75-200 hp
HC1-89	7.1/2"	15 tooth spline	1"	-	SAE B	585	1125	75-200 hp
HC1-94	7.1/2"	21 tooth spline	1.3/8"	-	SAE C	585	1125	75-200 hp
HC4-91	8"	7/8" straight keyed	-	1/4"	SAE B	585	1125	75-200 hp
HC5-39	8"	13 tooth spline	7/8"	-	SAE B	585	1125	75-200 hp
HC4-09	8"	5/8" straight keyed	-	5/32"	SAE A	585	1125	75-200 hp
HC3-07	10"	3/4" straight keyed	-	3/16"	SAE A	585	1125	75-200 hp
HC3-41	10"	7/8" straight keyed	-	1/4"	SAE B	585	1125	75-200 hp
HC3-43	10"	1.1/4" straight keyed	-	5/16"	SAE C	585	1125	75-200 hp
HC4-88	10"	9 tooth spline	5/8"	-	SAE A	585	1125	75-200 hp
HC3-91	10"	13 tooth spline	7/8"	-	SAE B	585	1125	75-200 hp
HC3-92	10"	14 tooth spline	1.1/4"	-	SAE C	585	1125	75-200 hp
HC3-89	10"	15 tooth spine	1"	-	SAE B	585	1125	75-200 hp
HC3-94	10"	21 tooth spline	1.3/8"	-	SAE C	585	1125	75-200 hp
HDT3-S3	11.1/2"	13 tooth spline (turned down flywheel)	1.3/4"	-	SAE D	1300	3300	200-600 hp
HDT2-90	11.1/2"	13 tooth spine	1.3/4"	-	SAE D	1300	3300	200-600 hp
HDT1-92	11.1/2"	14 tooth spline	1.1/4"	-	SAE C	1300	3300	200-600 hp



MADE IN U.S.A.

**TECH
DATA**

Pump Mount Plate

Part #	Engine Mount	Pump Mount	Pump Mounting	Plate Thickness	Engine Mount Dimensions		
					Bolt Circle		# of Holes
HN2	SAE6	SAE A	2 Bolt	5/8"	285.75mm	11.25"	8
HO2	SAE6	SAE B	2 Bolt	5/8"	285.75mm	11.25"	8
HO4	SAE6	SAE B	4 Bolt	5/8"	285.75mm	11.25"	8
GN2	SAE5	SAE A	2 Bolt	5/8"	333.502mm	13.13"	8
GO2	SAE5	SAE B	2 Bolt	5/8"	333.502mm	13.13"	8
GO24	SAE5	SAE B	2/4 Bolt	5/8"	333.502mm	13.13"	8
GX4	SAE5	SAE C	4 Bolt	5/8"	333.502mm	13.13"	8
ESP1	SAE4	SAE A	2 Bolt	5/8"	381mm	15"	12
E02	SAE4	SAE B	2 Bolt	5/8"	381mm	15"	12
E024	SAE4	SAE B	2/4 Bolt	5/8"	381mm	15"	12
EX24	SAE4	SAE C	2/4 Bolt	5/8"	381mm	15"	12
EX4	SAE4	SAE C	4 Bolt	5/8"	381mm	15"	12
DO24	SAE3	SAE B	2/4 Bolt	5/8"	428.625mm	16.875"	12
DX24	SAE3	SAE C	2/4 Bolt	5/8"	428.625mm	16.875"	12
DS4	SAE3	SAE D	4 Bolt	5/8"	428.625mm	16.875"	12
CO24	SAE2	SAE B	2/4 Bolt	5/8"	466.725mm	18.375"	12
CX2	SAE2	SAE C	2 Bolt	5/8"	466.725mm	18.375"	12
CX4	SAE 2	SAE C	4 Bolt	5/8"	466.725mm	18.375"	12
CS4	SAE 2	SAE D	4 Bolt	5/8"	466.725mm	18.375"	12



MADE IN U.S.A.

Flywheel Drive Plate

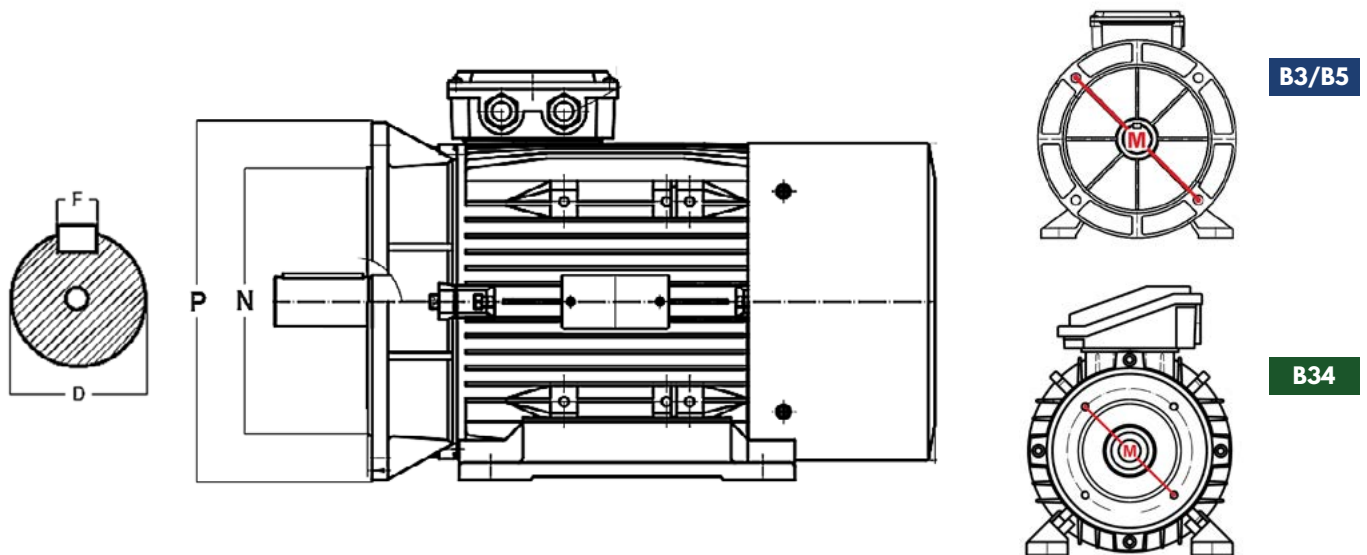


Pump Mount Plate



HEX-FLX Coupling Hub





Bell Housings Frame Size Guide (240v AC)

Frame	kW	Voltage	Pole	Dimensions (mm)							
				D	F	B3/B5			B34		
						N	M	P	N	M	P
63	0.18	240v AC	4-pole	11	4	95	115	140	60	75	90
71	0.25 - 0.37	240v AC	4-pole	14	5	110	130	160	70	85	105
80	0.55 - 0.75	240v AC	4-pole	19	6	130	165	200	80	100	120
90	1.1 - 1.5	240v AC	4-pole	24	8	130	165	200	95	115	140
100	2.2 - 3.7	240v AC	4-pole	28	8	180	215	250	110	130	160
112	2.2 - 3.7	240v AC	4-pole	28	8	180	215	250	110	130	160

Bell Housings Frame Size Guide (415v AC)

Frame	kW	Voltage	Pole	Dimensions (mm)							
				D	F	B3/B5			B34		
						N	M	P	N	M	P
56	0.06 - 0.12	415v AC	4-pole	9	3	80	100	120	50	65	80
63	0.12 - 0.18	415v AC	4-pole	11	4	95	115	140	60	75	90
71	0.25 - 0.37	415v AC	4-pole	14	5	110	130	160	70	85	105
80	0.55 - 0.75	415v AC	4-pole	19	6	130	165	200	80	100	120
90	1.1 - 2.2	415v AC	4-pole	24	8	130	165	200	95	115	140
100	2.2 - 5.5	415v AC	4-pole	28	8	180	215	250	110	130	160
112	2.2 - 5.5	415v AC	4-pole	28	8	180	215	250	110	130	160
132	7.5 - 11	415v AC	4-pole	38	10	230	265	300	130	165	200
160	11 - 15	415v AC	4-pole	42	12	250	300	350	180	215	150
180	18.5 - 22	415v AC	4-pole	48	14	250	300	350			
200	30 - 37	415v AC	4-pole	55	16	300	350	400			
225	37 - 45	415v AC	4-pole	55	16	350	400	450			
250	55	415v AC	4-pole	65	18	450	500	550			

**TECH
DATA**

Bell Housings - Group 05 DIN Pumps - 22mm Spigot

Part #	Motor		Dimensions (mm)							
	Frame Size	Flange Type	D1	D2	D3	D4	H1	H2	F	P
LMG105MFS05M4E	D71	B34	70	85	105	74	67	9	n/a	7
LMG120MFS05M4E	D80	B34	80	100	120	84	87	9	n/a	7
LMG141MFS05M4E	D63	B3/B5	95	115	140	100	95	13	M8	9
	D90	B34	95	115	140	100	95	13	M8	9
LMG160MFS05M4S	D71	B3/B5	110	130	160	110	70	15	M8	9
LMG200MFS05M4S	D80-90	B3/B5	130	165	200	135	87	18	M10	11

**TECH
DATA**

Bell Housings - Group 1 DIN Pumps - 25.4mm Spigot

LMG105MFS1004E	D71	B34	70	85	105	74	67	9	n/a	7
LMG120MFS1004E	D80	B34	80	100	120	84	87	9	n/a	7
LMG141MFS1004E	D63	B3/B5	95	115	140	100	95	13	M8	9
	D90	B34	95	115	140	100	95	13	M8	9
LMG160MFS1004E	D71	B3/B5	110	130	160	110	70	15	M8	9
LMG200MFS1004E	D80-90	B3/B5	130	165	200	135	87	18	M10	11
LMG250MFS1004S	D100-112	B3/B5	180	215	250	185	105	22	M12	14

**TECH
DATA**

Bell Housings - Group 1 DIN Pumps - 30.3mm Spigot

LMG105MFS1M04E	D71	B34	70	85	105	74	67	9	n/a	7
LMG120MFS1M04E	D80	B34	80	100	120	84	87	9	n/a	7
LMG141MFS1M04E	D63	B3/B5	95	115	140	100	95	13	M8	9
	D90	B34	95	115	140	100	95	13	M8	9
LMG161MFS1M04E	D71	B3/B5	110	130	160	110	105	15	M8	9

**TECH
DATA**

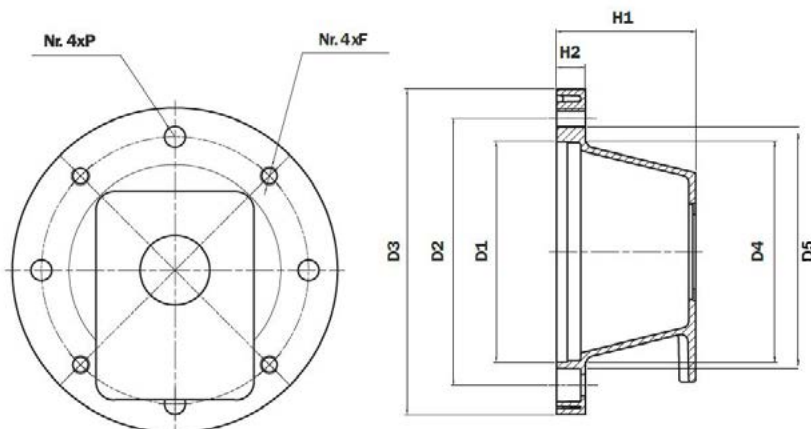
Bell Housings - Group 2 DIN Pumps - 36.5mm Spigot

LMG121MFS2004E	D80	B34	80	100	120	84	95	12	n/a	7
LMG141MFS2004E	D63	B3/B5	95	115	140	100	95	13	M8	9
	D90	B34	95	115	140	100	95	13	M8	9
LMG161MFS2004E	D71	B3/B5	110	130	160	110	105	15	M8	9
LMG201MFS2004E	D80-90	B3/B5	130	165	200	135	95	18	M10	11
LMG250MFS2004E	D100-112	B3/B5	180	215	250	185	105	22	M12	14
LMG300MFS2004E	D132	B3/B5	230	265	300	235	145	23	M12	14
LMG351MFS2004E	D160-180	B3/B5	250	300	350	255	179	31	M16	18
LMG400MFS2004E	D200	B3/B5	300	350	399	305	201	31	M16	18

**TECH
DATA**

Bell Housings - Group 3 DIN Pumps - 50.8mm Spigot

LMG251MFS3004E	D100-112	B3/B5	180	215	250	185	126	22	M12	14
LMG300MFS3M04E	D132	B3/B5	230	265	300	235	145	23	M12	14
LMG351MFS3M04E	D160-180	B3/B5	250	300	350	255	179	31	M16	18
LMG400MFS3004E	D200	B3/B5	300	350	399	305	201	31	M16	18



MPFILTRI®
MADE IN EUROPE

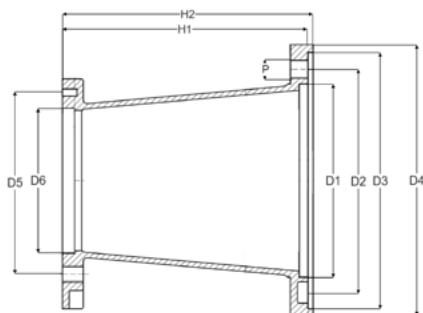


**TECH
DATA**

Bell Housings - Engine

Part #	Pump Size	Dimensions (mm)									Access Covers Needed
		D1	D2	D3	D4	D5	D6	H1	H2	P	
LMB110T099A002	DIN Group 1	67.5	92	-	110	72	40	96	99	9	-
LMB155T140C002M3-1	DIN Group 1	110	127	146	155	72	67.5	140	143	10	-
LMB155T140C002M3-2	DIN Group 2	110	127	146	155	96	67.5	140	143	10	-
LMB155T140S060	SAE A	110	127	146	155	106.4	82.55	140	143	10	-
G-10-101-4.44	4F17	45.2	92	-	88.9	72.2	45.2	113	-	-	2
AC10		Access Cover									

MPFILTRI
MADE IN EUROPE



LMB110



LMB155



**TECH
DATA**

Bell Housings - SAE A 2-bolt - 82.5mm spigot

Part #	Motor		Dimensions (mm)								
	Frame Size	Flange Type	D1	D2	D3	D4	D5	H1	H2	F	P
LMC200AFSW060	D80-90	B3/B5	130	165	200	125	135	125	18	M10	11
LMC250AFSQ060	D100-112	B3/B5	180	215	250	175	186	138	19	M12	14
LMC300AFSX060	D132	B3/B5	230	265	300	230	235	170	23	M12	14

**TECH
DATA**

Bell Housings - SAE B 2-bolt - 101.6mm spigot

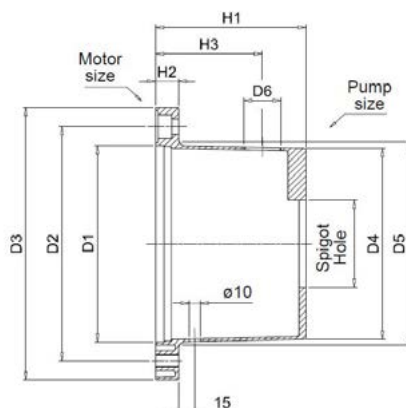
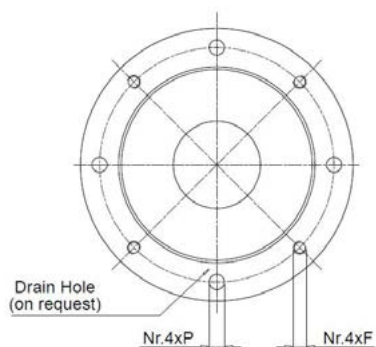
LMC250AFSQ070	D100-112	B3/B5	180	215	250	175	186	138	19	M12	14
LMC300AFSX070	D132	B3/B5	230	265	300	230	235	170	23	M12	14
LMC350AFSU070	D160-180	B3/B5	250	300	350	240	254	194	31	M16	18
LMC400AFSV070	D200	B3/B5	300	350	400	280	305	201	31	M16	18
LMC450AFSZ070	D225	B3/B5	350	400	450	320	350	250	31	M16	M16

**TECH
DATA**

Bell Housings - SAE C 2-bolt - 127mm spigot

LMC250AFRC080	D100-112	B3/B5	180	215	250	175	186	126	19	M12	14
LMC350AFSU080	D160-180	B3/B5	250	300	350	240	254	194	31	M16	18
LMC400AFSV080	D200	B3/B5	300	350	400	280	305	201	31	M16	18
LMC450AFSZ080	D225	B3/B5	350	400	450	320	350	250	31	M16	M16

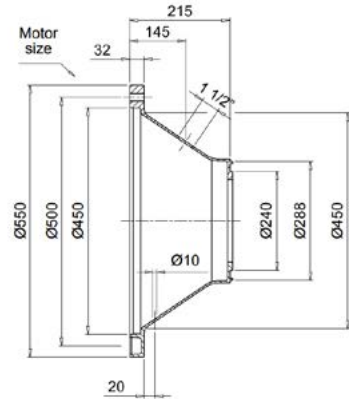
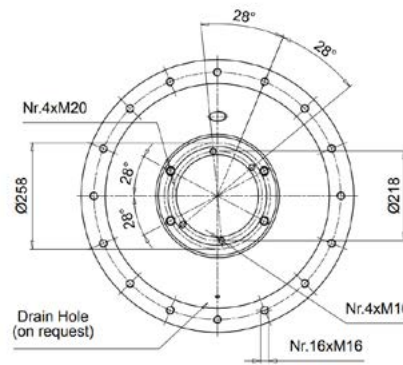
MPFILTRI
MADE IN EUROPE



TECH DATA

Bell Housings - Electric Motor Base

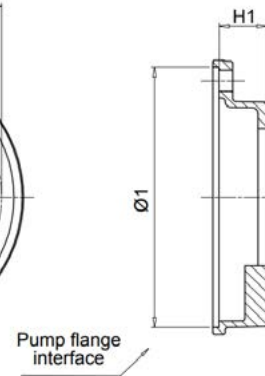
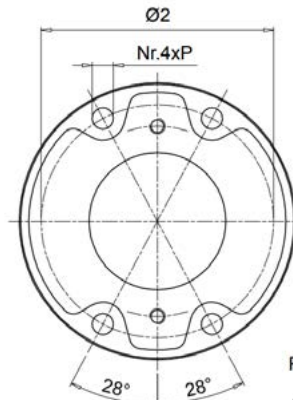
Part #	Motor Size
BMT550A21567	250 B3/B5



TECH DATA

Bell Housings - Pump Flange (SAE)

Part #	Pump Flange	Spigot	Dimensions (mm)			
			H1	Ø 1	Ø 2	P
FP6045S070	SAE B 2-bolt	101.6mm	45	258	240	17
FP6032S080	SAE C 2-bolt	127mm	45	258	240	17



2 Bolt Version

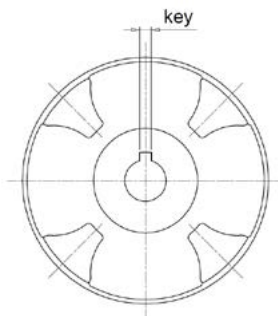
**TECH
DATA**

Pump Side Couplings DIN

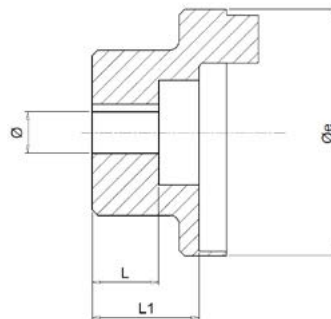
Part #	Pump	Shaft Size	Material	Dimension (mm)				
				Øe	L	L1	Ø	Key
SERIES 0								
SGEA01FS05M	Group 05	6mm	Aluminium	44	10	17	6	2
SGEA01FS05C	Group 05	7mm	Aluminium	44	10	17	7	2
SGEA01FS100	DIN Group 1	1:8 Taper	Aluminium	44	14.5	16	9.7	2.4
SERIES 2								
SGEA21FS100	DIN Group 1	1:8 Taper	Aluminium	70	14.5	21.5	9.7	2.4
SGEA21FSZFR	DIN Group 2	1:5 Taper	Aluminium	70	20	21.5	16.9	3
SGEA21FS200	DIN Group 2	1:8 Taper	Aluminium	70	21.5	21.5	17.2	3.2 & 4*
SGEA21FS300	DIN Group 3	1:8 Taper	Aluminium	70	27	41	21.6	4
SERIES 3								
SGEA31FSZFR	DIN Group 2	1:5 Taper	Aluminium	85	17	37	16.9	3
SGEA31FS200	DIN Group 2	1:8 Taper	Aluminium	85	23	37	17.2	3.2 & 4*
SGEA31FS300	DIN Group 3	1:8 Taper	Aluminium	85	27	37	21.6	4
SERIES 5								
SGEA51FS200	DIN Group 2	1:8 Taper	Aluminium	109.5	23.5	32	17.2	3.2 & 4*
SGEA51FS300	DIN Group 3	1:8 Taper	Aluminium	109.5	25	32	21.6	4
SERIES 6								
SGEG60FS300	DIN Group 3	1:8 Taper	Cast Iron	120	25.5	35	21.6	4

* Dual key

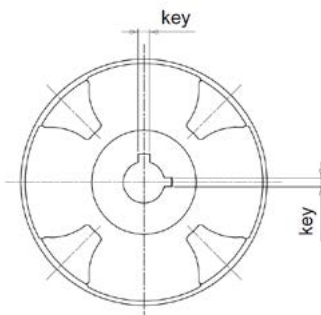
MPFILTRI
MADE IN EUROPE



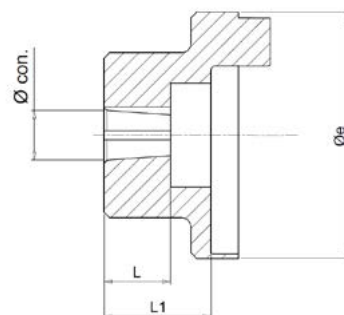
Single Key



Straight Keyed Shaft



Dual Key



Tapered Shaft

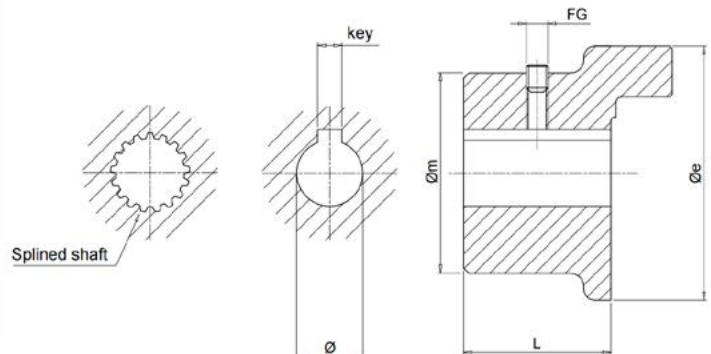


**TECH
DATA**

Pump Side Couplings SAE

Part #	Pump	Shaft Size	Material	Dimension (mm)				
				Øe	L	FG	Ø	Key
SERIES 0								
SGEA01H09019FG	Group 1 SAE AA	1/2" Keyed	Aluminium	44	19	M5	1/2"	1/8"
SGEA01H06019FG	SAE A	5/8" keyed	Aluminium	44	19	M5	5/8"	3/16"
SERIES 2								
SGEA21H09023FG	Group 1 SAE AA	1/2" Keyed	Aluminium	70	23	M6	1/2"	1/8"
SGEA21H06023FG	SAE A	5/8" Keyed	Aluminium	70	23	M6	5/8"	3/16"
SGEA21L00050FG	SAE A	5/8" Keyed	Aluminium	70	50	M6	5/8"	5/32"
SGEA21G01050FG	SAE A	3/4" Keyed	Aluminium	70	50	M6	3/4"	3/16"
SGEA21G020502EFG	SAE B	7/8" Keyed	Aluminium	70	50	M6	7/8"	3/16"
SGEA21C020502HFG	-	16mm	Aluminium	70	50	M6	16	4
SERIES 3								
SGEA31L00040FG	SAE A	5/8" Keyed	Aluminium	85	40	M8	5/8"	5/32"
SGEA31G01040FG	SAE AA	3/4" Keyed	Aluminium	85	40	M8	3/4"	3/16"
SGEA31G020502EFG	SAE B	7/8" Keyed	Aluminium	85	50	M8	7/8"	3/16"
SGEA31C03040FG	-	16mm Keyed	Aluminium	85	28	M8	16	5
SERIES 4								
SGEG40PD0540	SAE A	9T 16/32"	Cast Iron	95	40	-	5/8"	-
SGEG40PD0635	SAE A/SAE B	11T 16/32"	Cast Iron	95	35	-	3/4"	-
SGEG40PD0835	SAE B	13T 16/32"	Cast Iron	95	35	-	7/8"	-
SGEG40PD3640	SAE A	10T 16/32"	Cast Iron	95	40	-	17.04mm	-
SGEG40PD0930	SAE B-B	15T 16/32"	Cast Iron	95	30	-	1"	-
SERIES 5								
SGEA51G020502EFG	SAE B	7/8" Keyed	Aluminium	109.5	50	M8	7/8"	3/16"
SGEA51G040502FFG	SAE B	1" Keyed	Aluminium	109.5	50	M8	1"	1/4"
SGEA51G060502G	SAE C	1.1/4" Keyed	Aluminium	109.5	50	M8	1.1/4"	5/16"
SERIES 6								
SGEG60PD08050	SAE B	13T 16/32" Spline	Cast iron	120	50	-	-	-
SGEG60G020702E	SAE B	7/8" Keyed	Cast iron	120	70	M8	7/8"	3/16"
SGEG60PD08070	SAE B	13T 16/32" Spline	Cast iron	120	60	-	-	-
SGEG60G060652G	SAE C	1.1/4" Keyed	Cast iron	120	65.5	M8	1.1/4"	1/4"
SGEG60PD02065	SAE C	14T 12/24" Spline	Cast iron	120	65	-	-	-
SGEG60PD02050	SAE C	14T 12/24" Spline	Cast iron	120	50	-	-	-

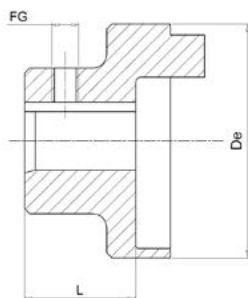
MPFILTRI®
MADE IN EUROPE



**TECH
DATA**

Motor Side Couplings									
Part #	Motor Frame Size	Shaft Size	Material	Dimension (mm)					
				De	L	FG	Ø	Key	
SERIES 0									
SGEA01M02028FG	D71	14mm	Aluminium	44	28	M5	14	5	
SGEA01C020282HFG	-	16mm	Aluminium	44	28	M5	16	4	
SGEA01M03048FG	D80	19mm	Aluminium	44	48	M5	19	6	
SGEA01M04048FG	D90	24mm	Aluminium	44	48	M5	24	8	
SERIES 2									
SGEA21M03048FG	D80	19mm	Aluminium	70	48	M6	19	8	
SGEA21M04048FG	D90	24mm	Aluminium	70	48	M6	24	8	
SGEA21M05055FG	D100/112	28mm	Aluminium	70	55	M6	28	8	
SERIES 3									
SGEA31M06077FG	D132	38mm	Aluminium	85	77	M8	38	10	
SERIES 4									
SGEG40M05060	D100/112	28mm	Cast Iron	95	60	M8	28	8	
SGEG40M06080	D132	38mm	Cast Iron	95	80	M8	38	10	
SGEG40M07110	D160	42mm	Cast Iron	95	110	M8	42	12	
SGEG40M08110	D180	48mm	Cast Iron	95	110	M8	48	14	
SERIES 5									
SGEA51M07109FG	D160	42mm	Aluminium	109.5	109	M8	42	12	
SGEA51M08109FG	D180	48mm	Aluminium	109.5	109	M8	48	14	
SGEA51M09109FG	D200	55mm	Aluminium	109.5	109	M8	55	16	
SERIES 6									
SGEG60M09110	D200	55mm	Cast Iron	120	110	M8	55	16	
SGEG60M10140	D225	60mm	Cast Iron	120	120	M8	60	18	
SGEG60M11140	D250	65mm	Cast Iron	120	120	M8	65	18	
ENGINE SHAFT COUPLING									
SGEA01G01050FG	Engine 3-7HP	3/4"	Aluminium	44	50	M5	3/4"	3/16"	
SGEA21G040502FFG	Engine 9.5-20HP Petrol 7-18HP Diesel	1"	Aluminium	70	50	M5	1"	1/4"	
SGEA21L02050FG	Engine 20-38HP Petrol 23HP Diesel	1.1/8"	Aluminium	70	50	M5	1.1/8"	1/4"	
SGEA21D02050FG	Engine 7-13HP	25mm	Aluminium	70	50	M5	25	8	

MPFILTRI
MADE IN EUROPE



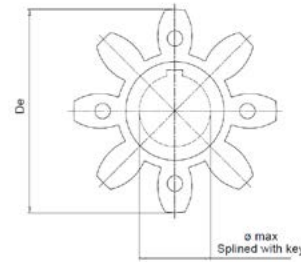
**TECH
DATA**

Pilot Bore Couplings							
Part #	Series	Pilot Bore (mm)		Material	Dimension (mm)		
		Min	Max		De	L	Ø
SGEA0100B050	0	19	23	Aluminium	44	50	16.5
SGEA2100B050	2	14	18	Aluminium	70	50	13.5
SGEA3100A060	3	18	27	Aluminium	85	60	15
SGEG408C	4	-	55	Cast Iron	95	110	95
SGEA5100A070	5	19	23	Aluminium	109.5	70	17.5
SGEG60BC	6	-	75	Cast Iron	120	140	-

**TECH
DATA**

Coupling Elements

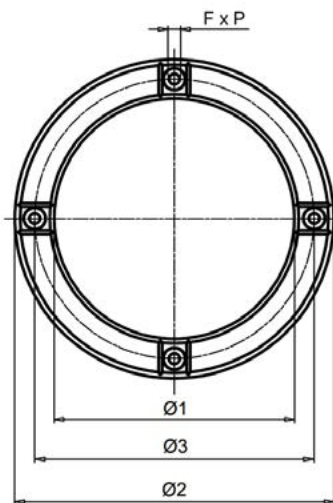
Part #	Series	Outside ϕ	Max Torque	Material	Dimension (mm)		
					E	De	ϕ Max
EGE0	0	38mm	20Nm	Oil-resistant rubber (shore hardness 87)	15	40	16
EGE2	2	65mm	190Nm	Oil-resistant rubber (shore hardness 87)	18	65	25
EGE3	3	80mm	380Nm	Oil-resistant rubber (shore hardness 87)	22	80	35
EGE4RR	4	95mm	760Nm	Polyurethane (shore hardness 92)	24	95	40
EGE5	5	103.5mm	620Nm	Oil-resistant rubber (shore hardness 87)	26	105	45
EGE5RR	5	103.5mm	800Nm	Polyurethane (shore hardness 92)	26	105	45
EGE6	6	120mm	860Nm	Oil-resistant rubber (shore hardness 87)	28	120	55
EGE6RR	6	120mm	1100Nm	Polyurethane (shore hardness 92)	28	120	55



**TECH
DATA**

Damping Rings

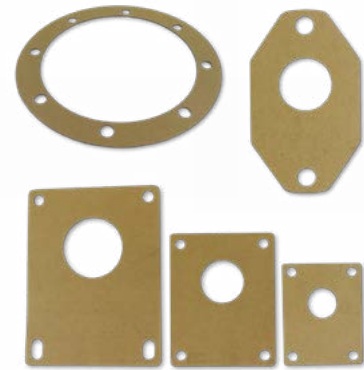
Part #	Motor Frame	Motor Flange	Noise Reduction	Dimension (mm)				
				$\phi 1$	$\phi 2$	$\phi 3$	S	F x P
ANMA200	D80-90	B3/B5	Up to 5 db	144	200	165	40	M10x16
ANMA250	D100-110	B3/B5	Up to 5 db	191	250	215	45	M12x16
ANMA300	D132	B3/B5	Up to 5 db	238	300	265	50	M12x16
ANMA350	D160-180	B3/B5	Up to 5 db	260	350	300	58	M16x20



**TECH
DATA**

Gaskets

Part #	Bell Housing	Pump Size
GUMP120	LMG120	-
GUMP140	LMG140	-
GUMP160	LMG160	-
GUMP200	LMC/LMG200	-
GUMP250	LMC/LMG250	-
GUMP300	LMC/LMG300	-
GUMP350	LMC/LMG350	-
GUPP001	-	Group 05
GUPP002	-	DIN Group 1
GUPP004	-	DIN Group 2
GUPP005	-	DIN Group 3

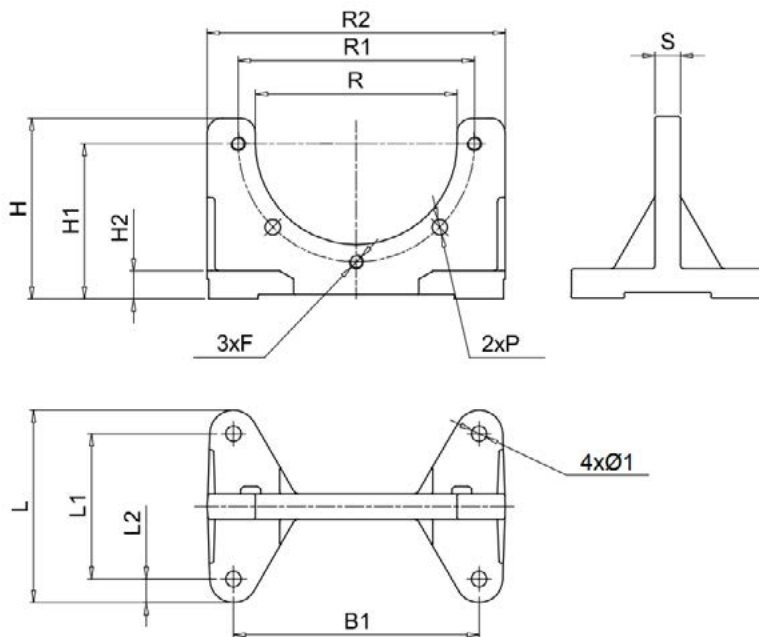


**TECH
DATA**

Foot Mounts (Pressure Diecast Aluminium)

Part #	Motor Frame	Mount	Motor Flange
PDMA160	D71	135x80 - 8.5mm	B3/B5
PDMA200	D80-90	175x98 - 11.5mm	B3/B5
PDMA250	D100-110	220x130 - 13.5mm	B3/B5
PDMA300	D132	270x160 - 13.5mm	B3/B5
PDMA350	D160-180	310x200 - 13mm	B3/B5

MPFILTRI®
MADE IN EUROPE



Dimensions (mm)

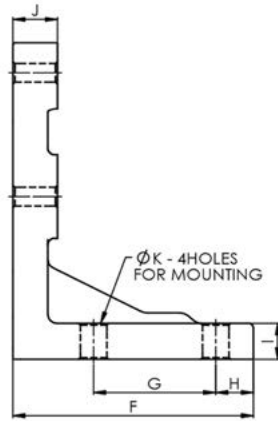
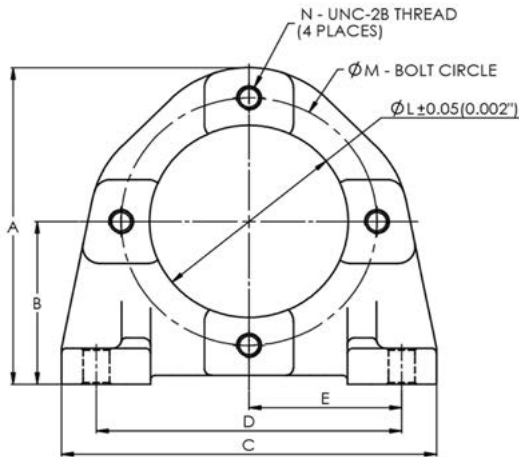
Part #	B	B1	R2	L	L1	L2	H	H1	H2	R	R1	S	P	Ø 1	F
PDMA160	160	135	180	106	80	13	100	86	16	111	130	14	8.5	8.5	M8
PDMA200	200	175	207	128	98	21	128	115	14	146	165	14	11	11.5	M10
PDMA250	250	220	262	172	130	21	157	145	18	191	215	16	13	13.5	M12
PDMA300	300	270	320	210	160	25	188	170	18	191	215	16	13	13.5	M12
PDMA350	350	310	360	300	200	30	220	200	30	261	300	30	18	13	M16

TECH DATA

SAE Foot Mounts

Part #	Mount	Description
HBA-A	SAE A	Foot bracket kits can be used to mount pumps or motors that have standard SAE-J744 2-bolt A, B or C mounting flanges.
HBA-B	SAE B	
HBA-C	SAE C	

Each kit includes screws for mounting to pump/motor.



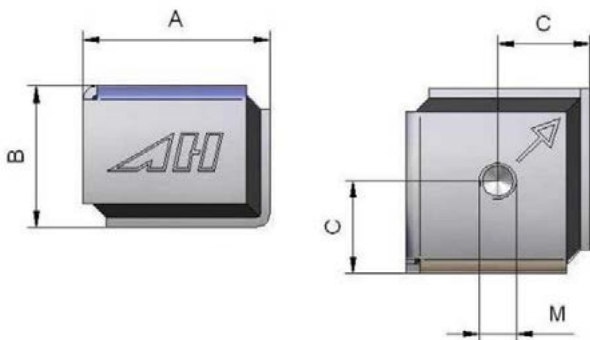
Dimensions (mm)

A	B	C	D	E	F	G	H	I	J	K	L	M	N
134.9	69.9	152.4	127	63.5	96	50.8	12.7	12.7	17.5	11	82.6	106.4	3/8"-16 UNC
180.8	92.2	171.5	146	73	95.8	50.8	12.7	12.7	19	11	101.7	146	1/2"-13 UNC
215.9	109.5	265.2	235	117.5	131.6	76.2	17.3	16.7	20.5	17	127.1	181	5/8"-11 UNC

TECH DATA

Rubber Vibration Absorbers

Part #	Description	Material	Weight	Dimensions (mm)			
				M	A	B	C
MDGQ403008IIK	40x40x30 M8	Zinc coated steel & natural rubber	0.127kg	M8 x 10	40	30	20
MDGQ504510IIK	50x50x45 M10	Zinc coated steel & natural rubber	0.280kg	M10 x 12	50	45	25
MDGQ755512IIK	75x75x55 M12	Zinc coated steel & natural rubber	0.659kg	M12 x 15	75	55	37.5
MDGQ1007516IIK	100x100x75 M16	Zinc coated steel & natural rubber	1.920kg	M16 x 16.5	100	75	50



TECH DATA

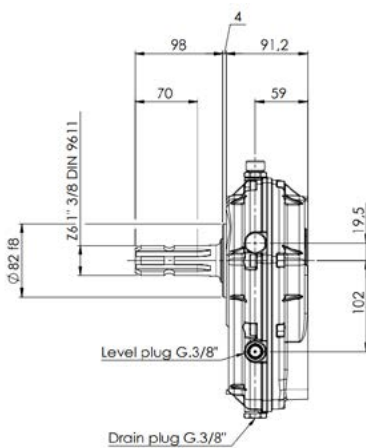
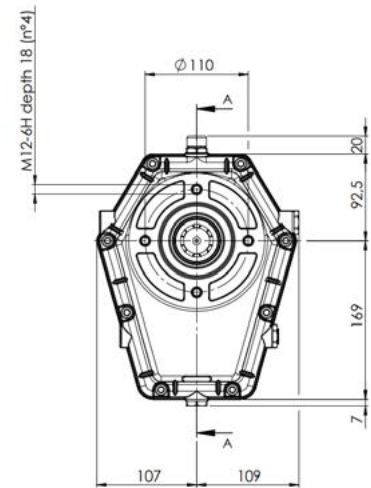
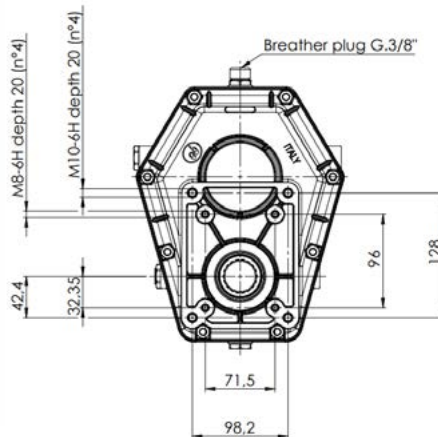
71000 Series 20kW - Gearbox

Part #	Ratio	Shaft	Group
71001-4	Step Up Gearbox, 3:1 ratio	Extended male shaft P.T.O 1 3/8" 6T	Group 2 & 3 DIN
71002-4	Step Up Gearbox, 3:1 ratio	Extended female shaft P.T.O 1 3/8" 6T	Group 2 & 3 DIN
71004-4	Step Up Gearbox, 3:1 ratio	Extended female shaft quick release P.T.O 1 3/8" 6T	Group 2 & 3 DIN
96100		Adaptor Plate 71000 series to SAE A mount	
96101		Adaptor Plate 71000 series to SAE B mount	
19071		Seal kit	

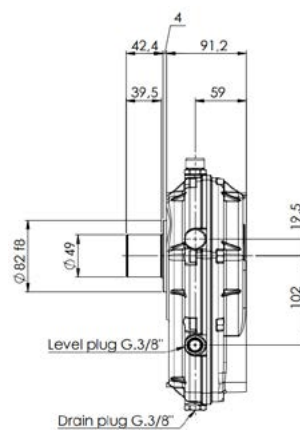
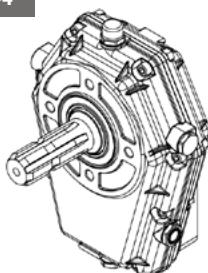
TECH DATA

71000 Series 20kW - Coupling

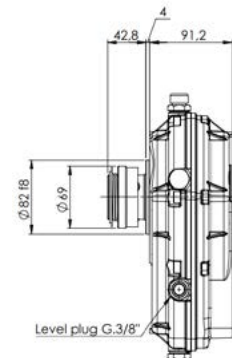
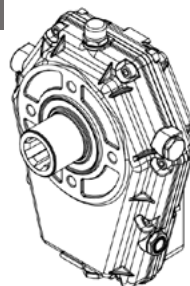
Part #	Length	Teeth	Spline (DIN 5482B)	Group	Shaft Cone	Shaft Keyway	Material
10012	22 mm	18	35 x 31	Group 2 DIN	1:8 Taper	3.2mm	Steel
10014	26 mm	18	35 x 31	Group 3 DIN	1:8 Taper	4.0mm (Vivoil)	Steel
10044	22.5 mm	18	35 x 31	Group 2 DIN	1:8 Taper	4.0mm (Vivoil)	Steel
15002	48 mm	18	35 x 31	SAE B	7/8" Keyed	4.8mm / 6.4mm	Steel
35513	45 mm	18	35 x 31	SAE A	5/8" Spline 9T 16/32" DP	-	Steel
35501	35 mm	18	35 x 31	SAE B	7/8" Spline 13T 16/32" DP	-	Steel



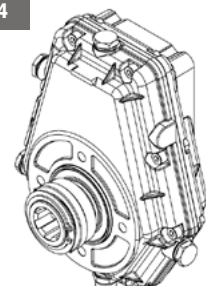
71001-4



71002-4



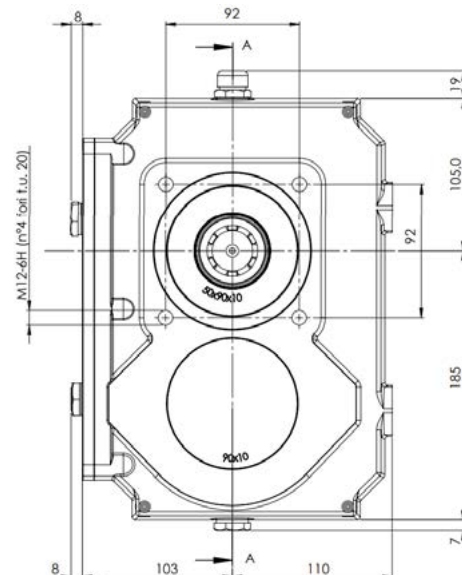
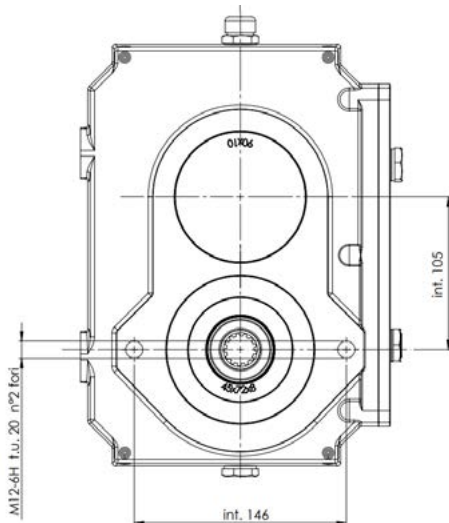
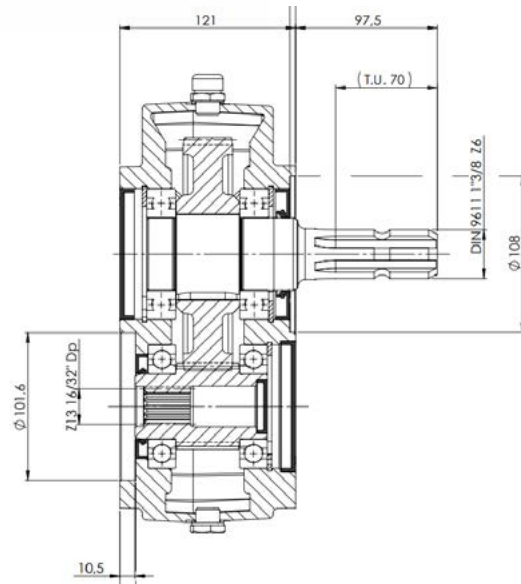
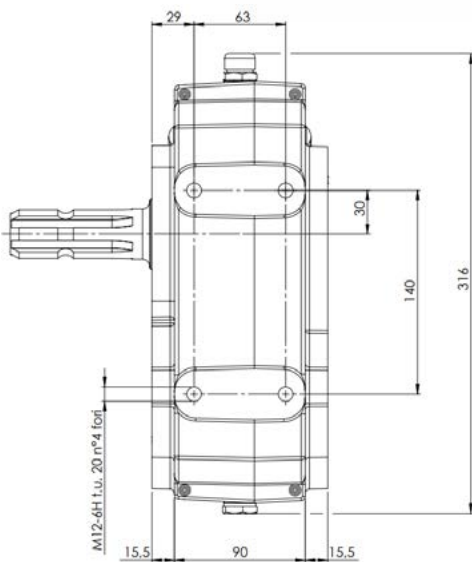
71004-4



TECH
DATA

97600 Series 68kW - Gearbox

Part #	Ratio	Shaft	Input Shaft	Group	Material
97601-7/13	Step Up Gearbox, 3.8:1 ratio	Male shaft P.T.O 1 3/8" 6T	7/8" spline 13T 16/32" DP	SAE B	Cast iron



**TECH
DATA**

Electro-Magnetic Clutches

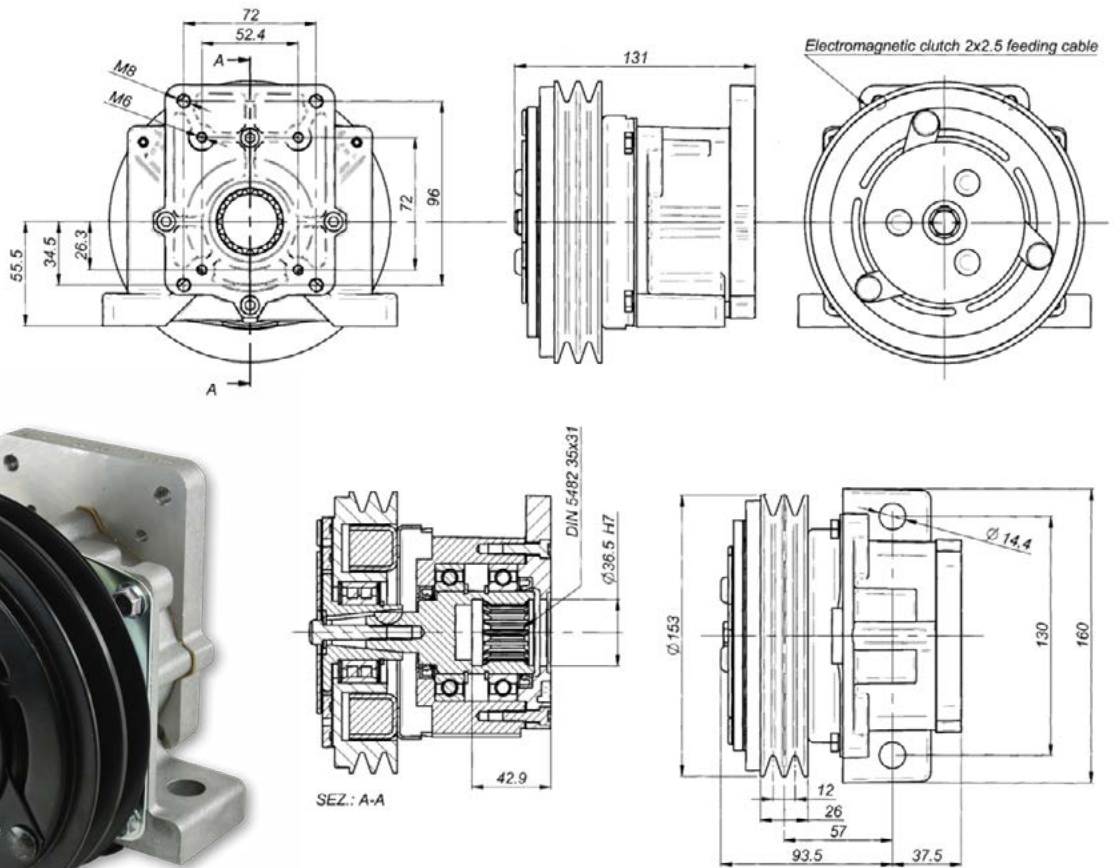
Part #	Voltage	Amp Draw	Maximum Speed	Pump Mount
30901	12v DC	3.33a	5000 rpm	Group 1 & 2 DIN
30903	24v DC	1.26a	5000 rpm	Group 1 & 2 DIN
30980	12v DC	3.33a	5000 rpm	Group 1 & 2 DIN
30981	24v DC	1.26a	5000 rpm	Group 1 & 2 DIN

NEW

NEW

Torque Settings

Clutch Part #	Nominal	Static	Dynamic					
			500 rpm	1000 rpm	1500 rpm	2000 rpm	2500 rpm	3000 rpm
30901	7.8 daNm	12.5 daNm	8.5 daNm	7.0 daNm	4.2 daNm	3.5 daNm	2.7 daNm	2.5 daNm
30903	7.8 daNm	12.5 daNm	8.5 daNm	7.0 daNm	4.2 daNm	3.5 daNm	2.7 daNm	2.5 daNm
30980	11.8 daNm	14.0 daNm	12.5 daNm	11.0 daNm	8.2 daNm	7.7 daNm	6.7 daNm	6.6 daNm
30981	11.8 daNm	14.0 daNm	12.5 daNm	11.0 daNm	8.2 daNm	7.7 daNm	6.7 daNm	6.6 daNm



**TECH
DATA**

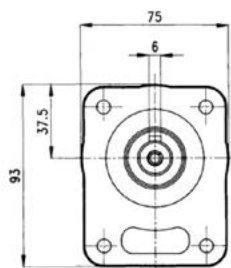
Electro-Magnetic Clutch Couplings

Part #	Length	Teeth	Outer Profile (DIN 5482B)	Group	Shaft Cone	Shaft Keyway	Material
10010	14.5mm	18	35 x 31	Group 1 DIN	1:8 Taper	2.4mm	Steel
10012	22.0mm	18	35 x 31	Group 2 DIN	1:8 Taper	3.17mm	Steel
10044	22.5mm	18	35 x 31	Group 2 DIN	1:8 Taper	4mm (Vivoil)	Steel
10014	26.0mm	18	35 x 31	Group 3 DIN	1:8 Taper	4mm	Steel

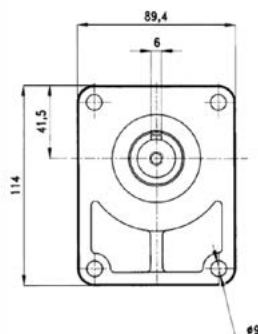
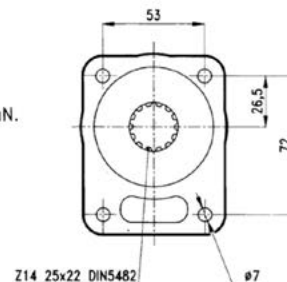
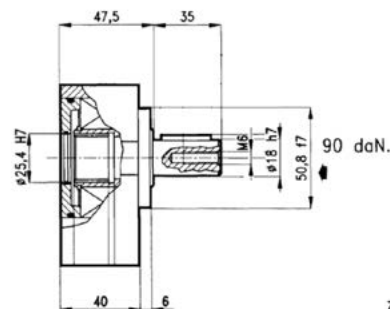
TECH
DATA

Bearing Mounts

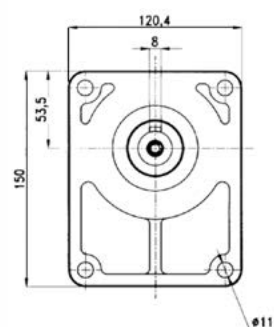
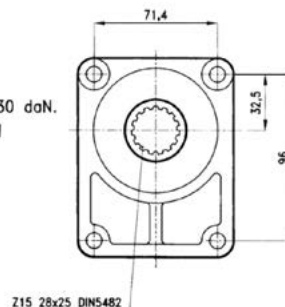
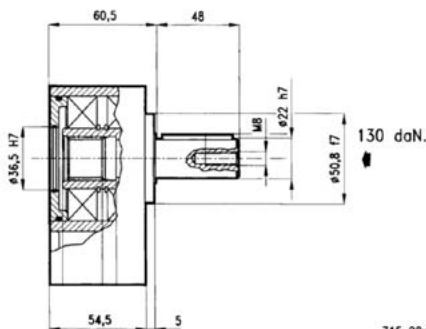
Part #	Splined Coupling (DIN 5482B)	Pump Group	Shaft Ø	Shaft Keyway	Shaft Load Radial Maximum	Material
25601	14T 25x22	Group 1	18mm	4.0mm	100 daNm	Aluminium
25603	15T 28x25	Group 2	22mm	6.0mm	285 daNm	Aluminium
25604-4	18T 35x31	Group 3	24mm	8.0mm	318 da Nm	Aluminium



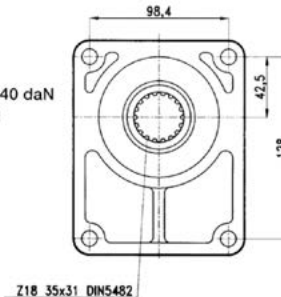
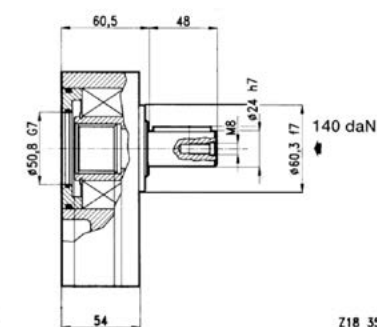
25601



25603



25604-4



TECH
DATA

Bearing Mount Couplings

Part #	Length	Teeth	Spline (DIN 5482B)	Group	Shaft Cone	Shaft Keyway	Material
10003	14.5 mm	14	25 x 22	Group 1 DIN	1:8 Taper	2.4mm	Steel
10033	16 mm	14	25 x 22	Group 1.5 DIN	1:8 Taper	3.0mm	Steel
10007	22 mm	15	28 x 25	Group 2 DIN	1:8 Taper	3.2mm	Steel
10035	22.5 mm	15	28 x 25	Group 2 DIN	1:8 Taper	4.0mm (Vivoil)	Steel
10014	26 mm	18	35 x 31	Group 3 DIN	1:8 Taper	4.0mm	Steel





MELBOURNE

ADDRESS

23 Quinlan Rd, Epping, VIC 3076

EMAIL

sales@hydraulicsnetwork.com.au

PHONE

03 9399 8957

VERMONT

ADDRESS

5/137-145 Rooks Rd, Vermont, VIC 3133

EMAIL

salessev@hydraulicsint.com.au

PHONE

03 9874 1155

BRISBANE

ADDRESS

19 Silvio St, Richlands, QLD 4077

EMAIL

salesqld@hydraulicsnetwork.com.au

PHONE

07 3277 5969

PERTH

ADDRESS

2/44 Vinnicombe Dr, Canning Vale, WA 6155

EMAIL

saleswa@hydraulicsnetwork.com.au

PHONE

08 6385 3555

www.hydraulicsnetwork.com.au