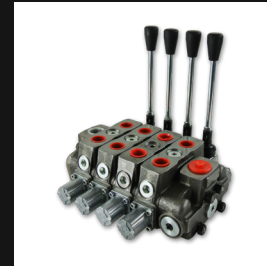


Hydraulics Network



POWER TRANSMISSION

2023



OIL SOLUTIONS

PO Box 38
Strathfieldsaye, VIC, 3551
1800 OIL SOL
1800 645 765

sales@oilsolutions.com.au

www.oilsolutions.com.au

"For All Your Hydraulic Needs"

Order Codes for HEX-FLX Flywheel Coupling



Flywheel Drive Plate	HEX-FLX Hub	Pump Mount Plate
-----------------------------	--------------------	-------------------------

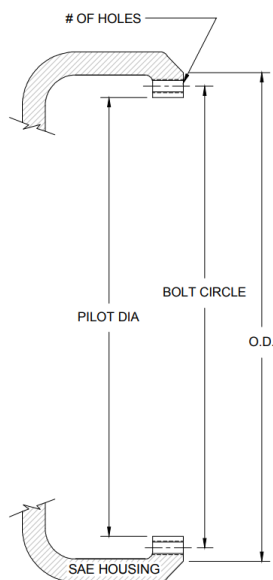
B-065
6-1/2" Flywheel

HB2-05
5/8" Straight Keyed

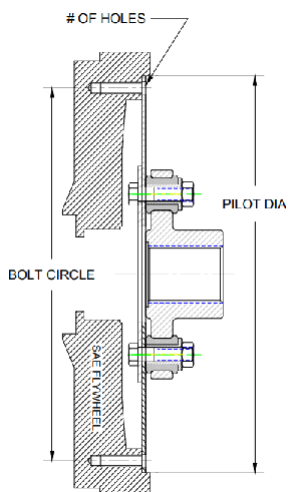
GN2
SAE A/SAE 5

Full example part number: B-065-HB2-05-GN2

FLYWHEEL DRIVE PLATE	List Price \$	HEX-FLX HUB	List Price \$	PUMP MOUNT PLATE	List Price \$
B-065		HB2-39		HN2	
C-075		HB2-07		HO2	
C-080		HB1-41		HO4	
C-010		HB1-43		GN2	
DT-115		HB2-88		GO2	
		HB1-91		GO24	
		HB2-92		GX4	
		HB1-89		ESP1	
		HC1-39		EO2	
		HC1-07		EO24	
		HC1-41		EX24	
		HC1-43		EX4	
		HC1-88		DO24	
		HC1-91		DX24	
		HC1-92		DS4	
		HC1-89		CO24	
		HC1-94		CX2	
		HC4-91		CX4	
		HC5-39		CS4	
		HC4-09			
		HC3-07			
		HC3-41			
		HC3-43			
		HC4-88			
		HC3-91			
		HC3-92			
		HC3-89			
		HC3-94			
		HDT3-S3			
		HDT2-90			
		HDT1-92			



SAE Housing



SAE Flywheel



For more details please visit
www.hayescouplings.com

Flywheel Drive Plates



Part #	Flywheel	Pump	Flywheel Dimensions			HP Range
			Bolt Circle	Pilot Diameter	# of Holes	
B-065	6-1/2"	SAE A/B/C	200.025mm 7.875"	215.9mm 8.5"	6 @ 8.7mm	30-75 hp
C-075	7-1/2"	SAE A/B/C	222.25mm 8.75"	241.3mm 9.5"	8 @ 8.7mm	65-175 hp
NEW C-080	8"	SAE A/B	263.52mm 10.375"	244.47mm 9.625"	6 @ 10.5mm	65-175 hp
C-010	10"	SAE A/B/C	295.2mm 11.625"	314.325mm 12.375"	8 @ 10.5mm	65-175 hp
NEW DT-115	11-1/2"	SAE B/C/D/E	352.42mm 13.875"	33.37mm 13.125"	8 @ 10.5mm	200-600 hp

Pump Shaft Coupling HEX-FLX Hubs



Part #	Flywheel	Shaft Size	Spline OD	Keyway	Pump Flange	Torque		HP Rating
						Nominal	Max	
HB2-39	6.1/2"	5/8" Straight Keyed	-	5/32"	SAE A	225	365	20-75 hp
HB2-07	6.1/2"	3/4" Straight Keyed	-	3/16"	SAE A	225	365	20-75 hp
HB1-41	6.1/2"	7/8" Straight Keyed	-	1/4"	SAE B	225	365	20-75 hp
HB1-43	6.1/2"	1.1/4" Straight Keyed	-	5/16"	SAE C	225	365	20-75 hp
HB2-88	6.1/2"	9 Tooth Spline	5/8"	-	SAE A	225	365	20-75 hp
HB1-91	6.1/2"	13 Tooth Spline	7/8"	-	SAE B	225	365	20-75 hp
HB2-92	6.1/2"	14 Tooth Spline	1.1/4"	-	SAE C	225	365	20-75 hp
NEW HB1-89	6.1/2"	15 Tooth Spline	1"	-	SAE A	225	365	20-75 hp
HC1-39	7.1/2"	5/8" Straight Keyed	-	5/32"	SAE A	585	1125	75-200 hp
HC1-07	7.1/2"	3/4" Straight Keyed	-	3/16"	SAE A	585	1125	75-200 hp
HC1-41	7.1/2"	7/8" Straight Keyed	-	1/4"	SAE B	585	1125	75-200 hp
HC1-43	7.1/2"	1.1/4" Straight Keyed	-	5/16"	SAE C	585	1125	75-200 hp
HC1-88	7.1/2"	9 Tooth Spline	5/8"	-	SAE A	585	1125	75-200 hp
HC1-91	7.1/2"	13 Tooth Spline	7/8"	-	SAE B	585	1125	75-200 hp
NEW HC1-92	7.1/2"	14 Tooth Spline	1.1/4"	-	SAE C	585	1125	75-200 hp
NEW HC1-89	7.1/2"	15 Tooth Spline	1"	-	SAE B	585	1125	75-200 hp
NEW HC1-94	7.1/2"	21 Tooth Spline	1.3/8"	-	SAE C	585	1125	75-200 hp
NEW HC4-91	8"	13 Tooth Spline	7/8"	-	SAE B	585	1125	75-200 hp
NEW HC5-39	8"	5/8" Straight Keyed	-	5/32"	SAE A	585	1125	75-200 hp
NEW HC4-09	8"	7/8" Straight Keyed	-	3/16"	SAE B	585	1125	75-200 hp
HC3-07	10"	3/4" Straight Keyed	-	3/16"	SAE A	585	1125	75-200 hp
HC3-41	10"	7/8" Straight Keyed	-	1/4"	SAE B	585	1125	75-200 hp
HC3-43	10"	1.1/4" Straight Keyed	-	5/16"	SAE C	585	1125	75-200 hp
HC4-88	10"	9 Tooth Spline	5/8"	-	SAE A	585	1125	75-200 hp
HC3-91	10"	13 Tooth Spline	7/8"	-	SAE B	585	1125	75-200 hp
HC3-92	10"	14 Tooth Spline	1.1/4"	-	SAE C	585	1125	75-200 hp
NEW HC3-89	10"	15 Tooth Spine	1"	-	SAE B	585	1125	75-200 hp
NEW HC3-94	10"	21 Tooth Spline	1.1/4"	-	SAE C	585	1125	75-200 hp
NEW HDT3-S3	11.1/2"	13 Tooth Spline (Turned down flywheel)	1.3/4"	-	SAE D	1300	3300	200-600 hp
NEW HDT2-90	11.1/2"	13 Tooth Spine	1.3/4"	-	SAE D	1300	3300	200-600 hp
NEW HDT1-92	11.1/2"	14 Tooth Spline	1.3/4"	-	SAE C	1300	3300	200-600 hp



1800-OILSOL
1800-645765

<https://oilsolutions.com.au/>

sales@oilsolutions.com.au

Pump Mount Plate



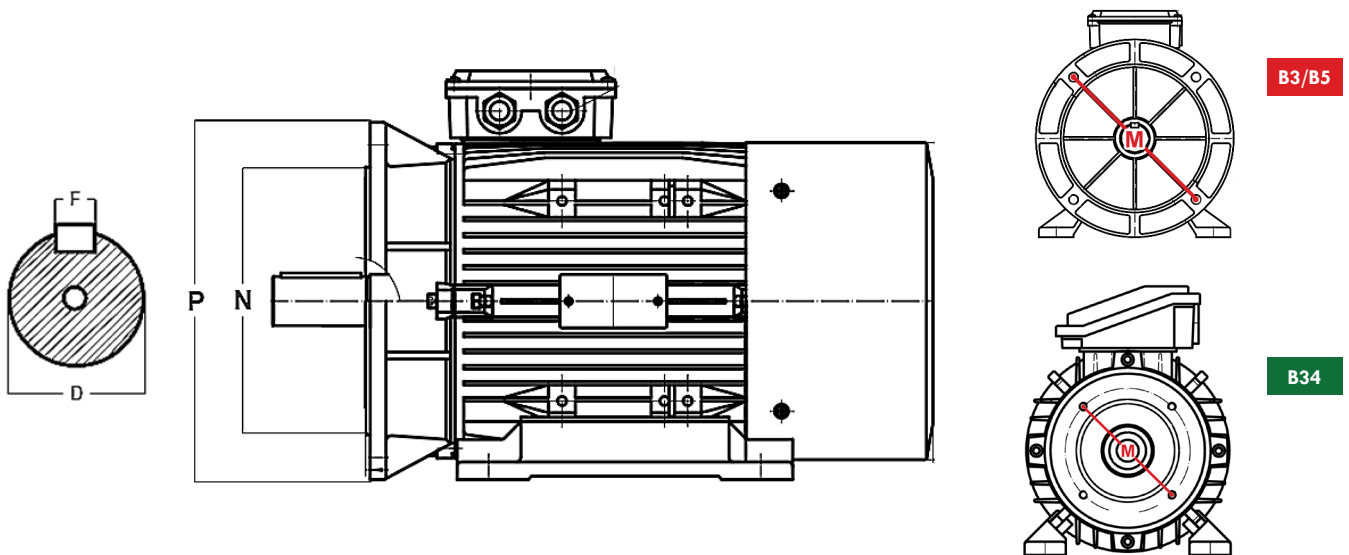
Part #	Engine Mount	Pump Mount	Pump Mounting	Plate Thickness	Engine Mount Dimensions		
					Bolt Circle		# of Holes
HN2	SAE6	SAE A	2 Bolt	5/8"	285.75mm	11.25"	8
HO2	SAE6	SAE B	2 Bolt	5/8"	285.75mm	11.25"	8
HO4	SAE6	SAE B	4 Bolt	5/8"	285.75mm	11.25"	8
GN2	SAE5	SAE A	2 Bolt	5/8"	333.502mm	13.13"	8
GO2	SAE5	SAE B	2 Bolt	5/8"	333.502mm	13.13"	8
GO24	SAE5	SAE B	2/4 Bolt	5/8"	333.502mm	13.13"	8
GX4	SAE5	SAE C	4 Bolt	5/8"	333.502mm	13.13"	8
ESP1	SAE4	SAE A	2 Bolt	5/8"	381mm	15"	12
EO2	SAE4	SAE B	2 Bolt	5/8"	381mm	15"	12
EO24	SAE4	SAE B	2/4 Bolt	5/8"	381mm	15"	12
NEW EX24	SAE4	SAE C	2/4 Bolt	5/8"	381mm	15"	12
EX4	SAE4	SAE C	4 Bolt	5/8"	381mm	15"	12
NEW DO24	SAE3	SAE B	2/4 Bolt	5/8"	428.625mm	16.875"	12
NEW DX24	SAE3	SAE C	2/4 Bolt	5/8"	428.625mm	16.875"	12
NEW DS4	SAE3	SAE D	4 Bolt	5/8"	428.625mm	16.875"	12
NEW CO24	SAE2	SAE B	2/4 Bolt	5/8"	466.725mm	18.375"	12
NEW CX2	SAE2	SAE C	2 Bolt	5/8"	466.725mm	18.375"	12
NEW CX4	SAE 2	SAE C	4 Bolt	5/8"	466.725mm	18.375"	12
NEW CS4	SAE 2	SAE D	4 Bolt	5/8"	466.725mm	18.375"	12



1800-OILSOL
1800-645765

<https://oilsolutions.com.au/>

sales@oilsolutions.com.au



Bell Housings Frame Size Guide (240v AC)

Frame	kW	Voltage	Pole	Dimensions mm							
				D	F	B3/B5			B34		
						N	M	P	N	M	P
63	0.18	240v AC	4-pole	11	4	95	115	140	60	75	90
71	0.25 - 0.37	240v AC	4-pole	14	5	110	130	160	70	85	105
80	0.55 - 0.75	240v AC	4-pole	19	6	130	165	200	80	100	120
90	1.1 - 1.5	240v AC	4-pole	24	8	130	165	200	95	115	140
100	2.2 - 3.7	240v AC	4-pole	28	8	180	215	250	110	130	160
112	2.2 - 3.7	240v AC	4-pole	28	8	180	215	250	110	130	160

Bell Housings Frame Size Guide (415v AC)

Frame	kW	Voltage	Pole	Dimensions mm							
				D	F	B3/B5			B34		
						N	M	P	N	M	P
56	0.06 - 0.12	415v AC	4-pole	9	3	80	100	120	50	65	80
63	0.12 - 0.18	415v AC	4-pole	11	4	95	115	140	60	75	90
71	0.25 - 0.37	415v AC	4-pole	14	5	110	130	160	70	85	105
80	0.55 - 0.75	415v AC	4-pole	19	6	130	165	200	80	100	120
90	1.1 - 2.2	415v AC	4-pole	24	8	130	165	200	95	115	140
100	2.2 - 5.5	415v AC	4-pole	28	8	180	215	250	110	130	160
112	2.2 - 5.5	415v AC	4-pole	28	8	180	215	250	110	130	160
132	7.5 - 11	415v AC	4-pole	38	10	230	265	300	130	165	200
160	11 - 15	415v AC	4-pole	42	12	250	300	350	180	215	150
180	18.5 - 22	415v AC	4-pole	48	14	250	300	350			
200	30 - 37	415v AC	4-pole	55	16	300	350	400			
225	37 - 45	415v AC	4-pole	55	16	350	400	450			
250	55	415v AC	4-pole	65	18	450	500	550			



1800-OILSOL
1800-645765

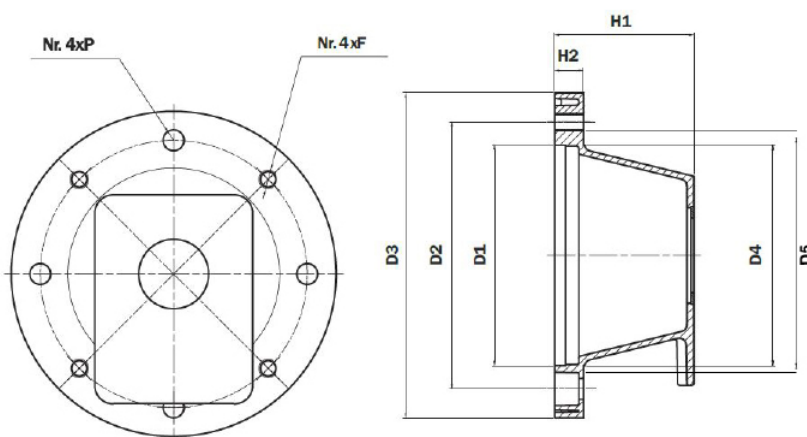
<https://oilsolutions.com.au/>

sales@oilsolutions.com.au

Bell Housings - Electric Motors (DIN Pumps)



Part #	List Price \$	Motor Size	Pump Side	Dimensions mm							
				D1	D2	D3	D4	H1	H2	F	P
LMG105MFS05M4E		71 B34	DIN Group 05	70	85	105	74	67	9	n/a	7
LMG105MFS1M04E		71 B34	DIN Group 1	70	85	105	74	67	9	n/a	7
LMG105MFS1004E		71 B34	DIN Group 1	70	85	105	74	67	9	n/a	7
LMG120MFS05M4E		80 B34	DIN Group 05	80	100	120	84	87	9	n/a	7
LMG120MFS1M04E		80 B34	DIN Group 1	80	100	120	84	87	9	n/a	7
LMG120MFS1004E		80 B34	DIN Group 1	80	100	120	84	87	9	n/a	7
LMG121MFS2004E		80 B34	DIN Group 2	80	100	120	84	95	12	n/a	7
LMG141MFS05M4E		63 B3/B5 - 90 B14	DIN Group 05	95	115	140	100	95	13	M8	9
LMG141MFS1M04E		63 B3/B5 - 90 B14	DIN Group 1	95	115	140	100	95	13	M8	9
LMG141MFS1004E		63 B3/B5 - 90 B14	DIN Group 1	95	115	140	100	95	13	M8	9
LMG141MFS2004E		63 B3/B5 - 90 B14	DIN Group 2	95	115	140	100	95	13	M8	9
LMG160MFS05M4S		71 B3/B5	DIN Group 05	110	130	160	110	70	15	M8	9
LMG160MFS1004E		71 B3/B5	DIN Group 1	110	130	160	110	70	15	M8	9
LMG161MFS1M04E		71 B3/B5	DIN Group 1	110	130	160	110	105	15	M8	9
LMG161MFS2004E		71 B3/B5	DIN Group 2	110	130	160	110	105	15	M8	9
LMG200MFS05M4S		80-90 B3/B5	DIN Group 05	130	165	200	135	87	18	M10	11
LMG200MFS1004E		80-90 B3/B5	DIN Group 1	130	165	200	135	87	18	M10	11
LMG201MFS2004E		80-90 B3/B5	DIN Group 2	130	165	200	135	95	18	M10	11
LMG250MFS1004S		110-112 B3/B5	DIN Group 1	180	215	250	185	105	22	M12	14
LMG250MFS2004E		110-112 B3/B5	DIN Group 2	180	215	250	185	105	22	M12	14
LMG251MFS3004E		110-112 B3/B5	DIN Group 3	180	215	250	185	126	22	M12	14
LMG300MFS2004E		132 B3/B5	DIN Group 2	230	265	300	235	145	23	M12	14
LMG300MFS3M04E		132 B3/B5	DIN Group 3	230	265	300	235	145	23	M12	14
LMG351MFS2004E		160-180 B3/B5	DIN Group 2	250	300	350	255	179	31	M16	18
LMG351MFS3M04E		160-180 B3/B5	DIN Group 3	250	300	350	255	179	31	M16	18
NEW LMG400MFS2004E		200 B3/B5	DIN Group 2	300	350	399	305	201	31	M16	18
NEW LMG400MFS3004E		200 B3/B5	DIN Group 3	300	350	399	305	201	31	M16	18



1800-OILSOL
1800-645765

<https://oilsolutions.com.au/>

sales@oilsolutions.com.au

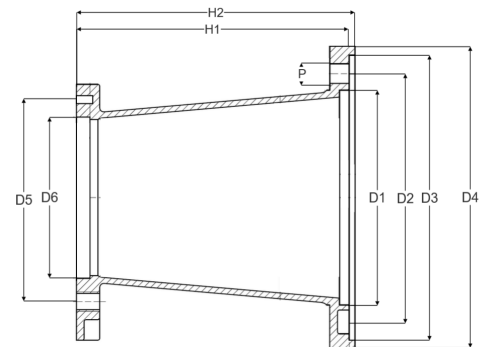
Bell Housings - Engine

Part #	List Price \$	Pump Size	Engine	Dimensions mm									Access Covers Needed
				D1	D2	D3	D4	D5	D6	H1	H2	P	
LMB110T099A002		DIN Group 1	3-5.5	67.5	92	-	110	72	40	96	99	9	-
LMB155T140C002M3-1		DIN Group 1	5-13.5	110	127	146	155	72	67.5	140	143	10	-
LMB155T140C002M3-2		DIN Group 2	5-13.5	110	127	146	155	96	67.5	140	143	10	-
LMB155T140S060		SAE A Group 2	5-13.5	110	127	146	155	106.4	82.55	140	143	10	-
G-10-101-4.44		4F17	7 HP	45.2	92	-	88.9	72.2	45.2	113	-	-	2
AC10		Access Cover											

LMB110

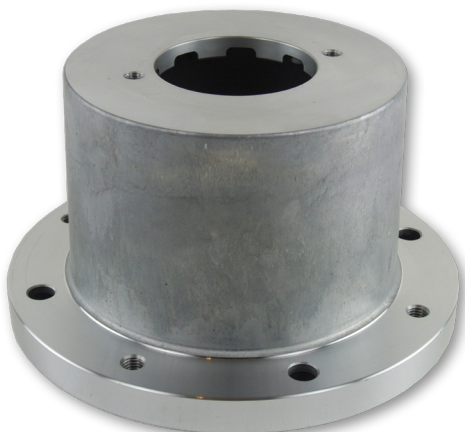


LMB155

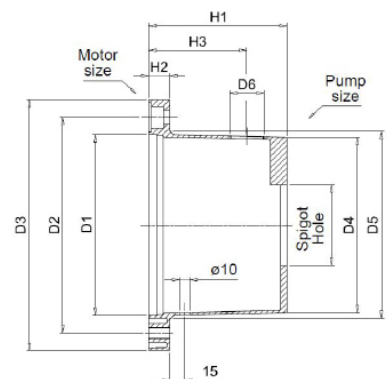
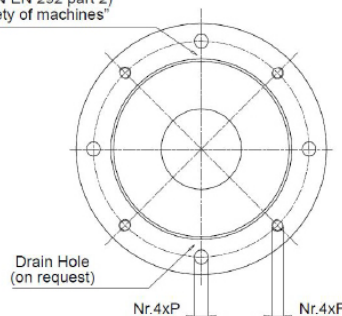


Bell Housings - Electric Motors (SAE Pumps)

Part #	List Price \$	Motor Size	Pump Side	Dimensions mm								
				D1	D2	D3	D4	D5	H1	H2	F	P
LMC200AFSW060		80-90 B3/B5	SAE A	130	165	200	125	185	125	18	M10	11
LMC250AFRC080		D100-112 B3/B5	SAE C 2-bolt	180	215	250	175	186	126	19	M12	14
LMC250AFSQ060		D100-112 B3/B5	SAE A	180	215	250	175	186	138	19	M12	14
LMC250AFSQ070		D100-112 B3/B5	SAE B	180	215	250	175	186	138	19	M12	14
LMC300AFSX060		D132 B3/B5	SAE A	230	265	300	230	285	170	23	M12	14
LMC300AFSX070		D132 B3/B5	SAE B	230	265	300	230	285	170	23	M12	14
LMC350AFSU070		D160-180 B3/B5	SAE B	250	300	350	240	254	194	31	M16	18
LMC350AFSU080		D160-180 B3/B5	SAE C 2-bolt	250	300	350	240	254	194	31	M16	18
LMC400AFSV070		200 B3/B5	SAE B	300	350	400	280	305	201	31	M16	18
LMC400AFSV080		200 B3/B5	SAE C 2-bolt	300	350	400	280	305	201	31	M16	18
LMC450AFSZ070		225 B3/B5	SAE B	350	400	450	320	350	250	31	M16	M16
LMC450AFSZ080		225 B3/B5	SAE C 2-bolt	350	400	450	320	350	250	31	M16	M16



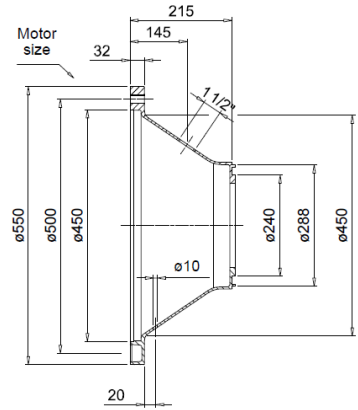
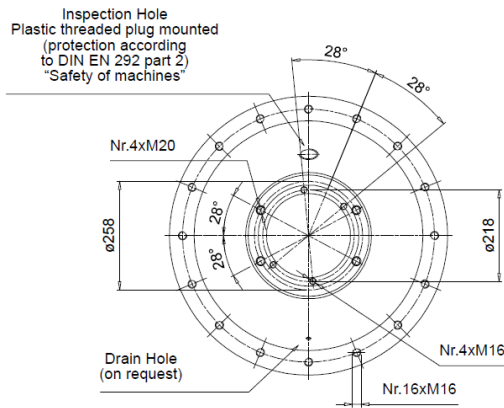
Inspection Hole
Plastic threaded plug mounted
(protection according
to DIN EN 292 part 2)
"Safety of machines"



Bell Housings - Electric Motor Base



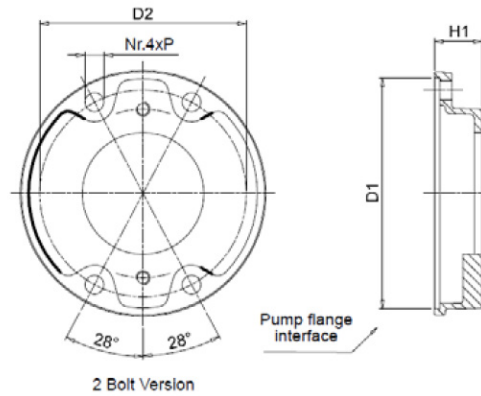
Part #	List Price \$	Motor Size
BMT550A21567		250 B3/B5



Bell Housings - Pump Flange (SAE)



Part #	List Price \$	Pump Flange	Dimensions mm			
			H1	D1	D2	P
FP6045S070		SAE B 2-bolt	45	258	240	17
FP6032S080		SAE C 2-bolt	45	258	240	17



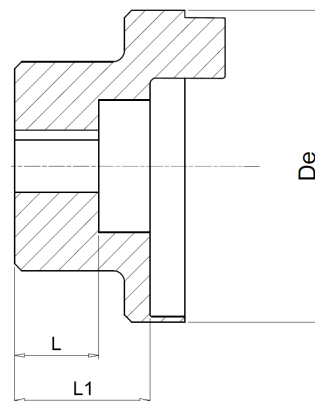
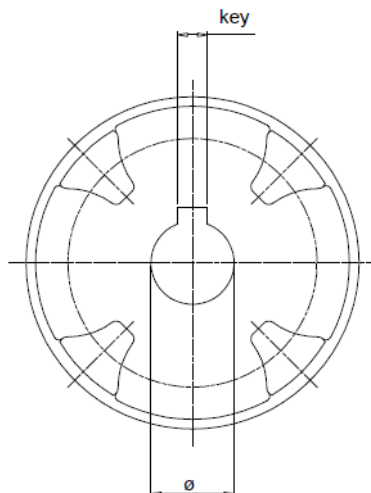
1800-OILSOL
1800-645765

<https://oilsolutions.com.au/>

sales@oilsolutions.com.au

Pump Side Couplings DIN

Part #	List Price \$	Pump	Shaft Size	Material	Dimension mm					
					De	L	L1	Ø	Key	
SERIES 0										
SGEA01FS05M		Group 05	6mm	Aluminium	44	10	17	6	2	
SGEA01FS05C		Group 05	7mm	Aluminium	44	10	17	6	2	
SGEA01FS100		DIN Group 1	1:8 Taper	Aluminium	44	14.5	16	9.7	2.4	
SERIES 2										
SGEA21FS100		DIN Group 1	1:8 Taper	Aluminium	70	14.5	21.5	9.7	2	
SGEA21FSZFR		DIN Group 2	1:5 Taper	Aluminium	70	20	21.5	16.9	3	
SGEA21FS200		DIN Group 2	1:8 Taper	Aluminium	70	21.5	21.5	17.2	4	
SGEA21FS300		DIN Group 3	1:8 Taper	Aluminium	70	27	41	21.6	4	
SERIES 3										
SGEA31FSZFR		DIN Group 2	1:5 Taper	Aluminium	85	17	37	16.9	3	
SGEA31FS200		DIN Group 2	1:8 Taper	Aluminium	85	23	37	17.2	4	
SGEA31FS300		DIN Group 3	1:8 Taper	Aluminium	85	27	37	21.6	4	
SERIES 5										
SGEA51FS200		DIN Group 2	1:8 Taper	Aluminium	109.5	23.5	32	17.2	4	
SGEA51FS300		DIN Group 3	1:8 Taper	Aluminium	109.5	25	32	21.6	4	
SERIES 6										
SGEG60FS300		DIN Group 3	1:8 Taper	Cast Iron	120	25.5	35	21.6	4	



1800-OILSOL
1800-645765

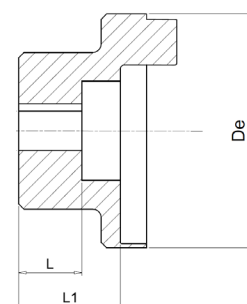
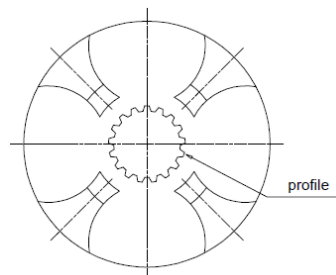
<https://oilsolutions.com.au/>

sales@oilsolutions.com.au

Pump Side Couplings SAE



Part #	List Price \$	Pump	Shaft Size	Material	Dimension mm					
					De	L	L1	Ø	Key	
SERIES 0										
SGEA01H09019FG		Group 1 SAE AA	1/2" Keyed	Aluminium	44	19	M5	1/2"	1/8"	
SGEA01H06019FG		SAE A	5/8" keyed	Aluminium	44	19	M5	5/8"	3/16"	
SERIES 2										
SGEA21H09023FG		Group 1 SAE AA	1/2" Keyed	Aluminium	70	14.5	21.5	1/2"	1/8"	
SGEA21H06023FG		SAE A	5/8" Keyed	Aluminium	70	14.5	21.5	5/8"	3/16"	
SGEA21L00050FG		SAE A	5/8" Keyed	Aluminium	70	14.5	21.5	5/8"	5/32"	
SGEA21G01050FG		SAE A	3/4" Keyed	Aluminium	70	14.5	21.5	3/4"	3/16"	
SGEA21G020502EFG		SAE B	7/8" Keyed	Aluminium	70	14.5	21.5	7/8"	3/16"	
SGEA21C020502HFG		-	16mm	Aluminium	70	50	-	16	4	
SERIES 3										
SGEA31L00040FG		SAE A	5/8" Keyed	Aluminium	85	14.5	37	5/8"	5/32"	
SGEA31G01040FG		SAE AA	3/4" Keyed	Aluminium	85	14.5	37	3/4"	3/16"	
SGEA31G020502EFG		SAE B	7/8" Keyed	Aluminium	85	14.5	37	7/8"	3/16"	
SGEA31C03040FG		-	16mm Keyed	Aluminium	85	28	-	16	5	
SERIES 4										
NEW SGEG40PD0540		SAE A	9T 16/32	Cast Iron	95	40	-	5/8"	-	
NEW SGEG40PD0635		SAE A/SAE B	11T 16/32	Cast Iron	95	35	-	3/4"	-	
NEW SGEG40PD0835		SAE B	13T 16/32	Cast Iron	95	35	-	7/8"	-	
NEW SGEG40PD3640		SAE A	10T 16/32	Cast Iron	95	40	-	17.04mm	-	
NEW SGEG40PD0930		SAE B-B	15T 16/32	Cast Iron	95	30	-	1"	-	
SERIES 5										
SGEA51G020502EFG		SAE B	7/8" Keyed	Aluminium	109.5	50	-	7/8"	3/16"	
SGEA51G040502FFG		SAE B	1" Keyed	Aluminium	109.5	50	-	1"	1/4"	
SGEA51G060502G		SAE C	1.1/4" Keyed	Aluminium	109.5	50	-	1.1/4"	5/16"	
SERIES 6										
SGEG60PD08050		SAE B	13T 16/32" Spline	Cast iron	120	50	37.5	-	-	
SGEG60G020702E		SAE B	7/8" Keyed	Cast iron	120	70	60	7/8"	3/16"	
SGEG60PD08070		SAE B	13T 16/32" Spline	Cast iron	120	60	48	-	-	
SGEG60G060652G		SAE B	1.1/4" Keyed	Cast iron	120	65.5	55	1.1/4"	1/4"	
SGEG60PD02065		SAE C	14T 12/24" Spline	Cast iron	120	65	52.5	-	-	
SGEG60PD02050		SAE C	14T 12/24" Spline	Cast iron	120	50	37.5	-	-	



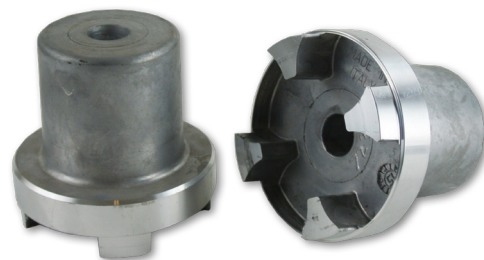
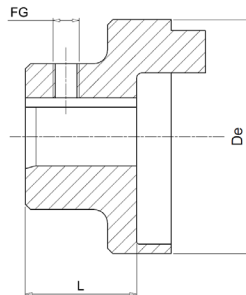
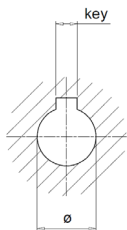
1800-OILSOL
1800-645765

<https://oilsolutions.com.au/>

sales@oilsolutions.com.au

Motor Side Couplings

Part #	List Price \$	Pump	Shaft Size	Material	Dimension mm					
					De	L	FG	Ø	Key	
SERIES 0										
SGEA01M02028FG		D71	14mm	Aluminium	44	28	M5	14	5	
SGEA01C02028HFG		*	16mm	Aluminium	44	28	M5	16	4	
SGEA01M03048FG		D80	19mm	Aluminium	44	48	M5	19	6	
SGEA01M04048FG		D90	24mm	Aluminium	44	48	M5	24	8	
SERIES 2										
SGEA21M03048FG		D80	19mm	Aluminium	70	48	M6	19	8	
SGEA21M04048FG		D90	24mm	Aluminium	70	48	M6	24	8	
SGEA21M05055FG		D100/112	28mm	Aluminium	70	55	M6	28	8	
SERIES 3										
SGEA31M06077FG		D132	38mm	Aluminium	85	77	M8	38	10	
SERIES 4										
NEW SGE40M05060		D100/112	28mm	Cast Iron	95	60	M8	28	8	
NEW SGE40M06080		D132	38mm	Cast Iron	95	80	M8	38	10	
NEW SGE40M07110		D160	42mm	Cast Iron	95	110	M8	42	12	
NEW SGE40M08110		D180	48mm	Cast Iron	95	110	M8	48	14	
SERIES 5										
SGEA51M07109FG		D160	42mm	Aluminium	109.5	109	M8	42	12	
SGEA51M08109FG		D180	48mm	Aluminium	109.5	109	M8	48	14	
SGEA51M09109FG		D200	55mm	Aluminium	109.5	109	M8	55	16	
SERIES 6										
SGEG60M09110		D200	55mm	Cast Iron	120	110	M8	55	16	
SGEG60M10140		D225	60mm	Cast Iron	120	120	M8	60	18	
SGEG60M11140		D250	65mm	Cast Iron	120	120	M8	65	18	
ENGINE MOUNT										
SGEA01G01050FG		Engine 3-7HP	3/4"	Aluminium	44	50	M5	3/4"	3/16"	
SGEA21G040502FFG		Engine 9.5-20HP Petrol 7-18HP Diesel	1"	Aluminium	70	50	M5	1"	1/4"	
SGEA21L02050FG		Engine 20-38HP Petrol 23HP Diesel	1.1/8"	Aluminium	70	50	M5	1.1/8"	1/4"	
SGEA21D02050FG		Engine 7-13HP	25mm	Aluminium	70	50	M5	25	8	

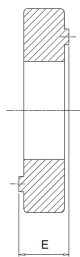
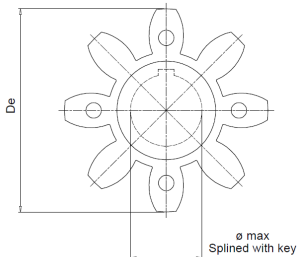


Pilot Bore Couplings

Part #	List Price \$	Series	Pilot Bore	Material	Dimension mm		
					De	L	Ø
SGEA0100B050		0	16.5mm	Aluminium	44	50	16.5
SGEA2100B050		2	13.5mm	Aluminium	70	50	13.5
SGEA3100A060		3	15mm	Aluminium	85	60	15
SGEA5100A070		5	17.5mm	Aluminium	109.5	70	17.5
SGEG60BC		6	n/a	Cast Iron	120	140	-

Coupling Elements

Part #	List Price \$	Series	Outside Ø	Max Torque	Material	Dimension mm		
						E	De	Ø Max
EGE0		0	38mm	20Nm	Oil-resistant rubber (shore hardness 87)	15	40	16
EGE2		2	65mm	190Nm	Oil-resistant rubber (shore hardness 87)	18	65	25
EGE3		3	80mm	380Nm	Oil-resistant rubber (shore hardness 87)	22	80	35
NEW EGE4RR		4	95mm	760Nm	Polyurethane (shore hardness 92)	24	95	40
EGE5		5	103.5mm	620Nm	Oil-resistant rubber (shore hardness 87)	26	105	45
EGE5RR		5	103.5mm	800Nm	Polyurethane (shore hardness 92)	26	105	45
EGE6		6	120mm	860Nm	Oil-resistant rubber (shore hardness 87)	28	120	55
EGE6RR		6	120mm	1100Nm	Polyurethane (shore hardness 92)	28	120	55



Foot Brackets (Pressure Diecast Aluminium)

Part #	List Price \$	Series	Mount	Motor Flange
PDMA160		D71	135x80 - 8.5mm	B5
PDMA200		D80-90	175x98 - 11.5mm	B5
PDMA250		D100-110	220x130 - 13.5mm	B5
PDMA300		D132	270x160 - 13.5mm	B5
PDMA350		D160-180	310x200 - 13mm	B5



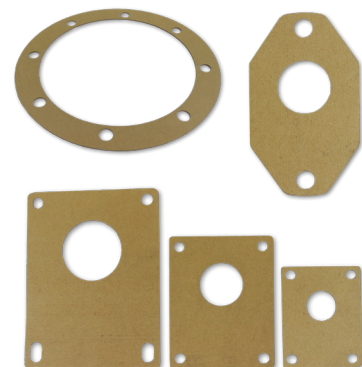
Damping Rings

Part #	List Price \$	Series	Motor Flange	Noise Reduction
ANMA200		D80-90	B5	Up to 5 db
ANMA250		D100-110	B5	Up to 5 db
ANMA300		D132	B5	Up to 5 db
ANMA350		D160-180	B5	Up to 5 db



Gaskets

Part #	List Price \$	Bell Housing	Pump Size
GUMP120		LMG120	-
GUMP140		LMG140	-
GUMP160		LMG160	-
GUMP200		LMC/LMG200	-
GUMP250		LMC/LMG250	-
GUMP300		LMC/LMG300	-
GUMP350		LMC/LMG350	-
GUPP001		-	Group 05
GUPP002		-	DIN Group 1
GUPP004		-	DIN Group 2
GUPP005		-	DIN Group 3

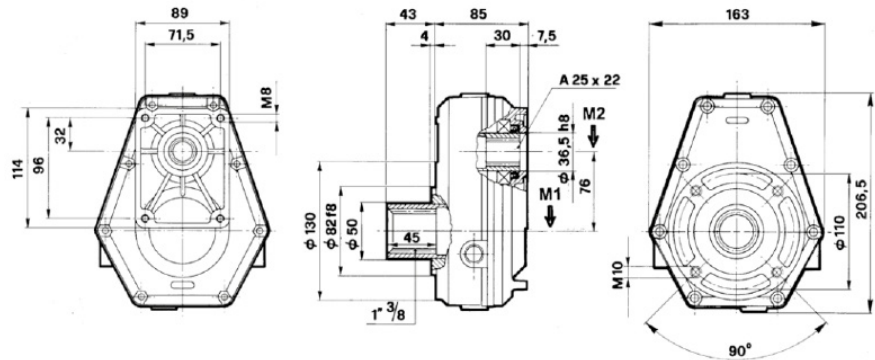
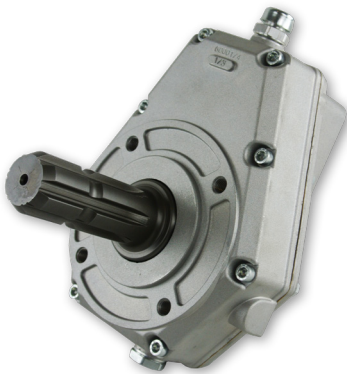


60000 Series 10kW - Gearbox

Part #	List Price \$	Ratio	Shaft	Group
60001-4		Step Up Gearbox, 3:1 ratio	Extended male shaft P.T.O 1 3/8" 6T	Group 2 DIN
60002-4		Step Up Gearbox, 3:1 ratio	Extended female shaft P.T.O 1 3/8" 6T	Group 2 DIN
60004-4		Step Up Gearbox, 3:1 ratio	Extended female shaft quick release P.T.O 1 3/8" 6T	Group 2 DIN

60000 Series 10kW - Coupling

Part #	List Price \$	Length	Teeth	Spline (DIN 5482B)	Group	Shaft Cone	Shaft Keyway	Material
10005		22mm	14	25 x 22	Group 2 DIN	1:8 Taper	3.2mm	Steel
10026		22.5mm	14	25 x 22	Group 2 DIN	1:8 Taper	4.0mm (Vivoil)	Steel

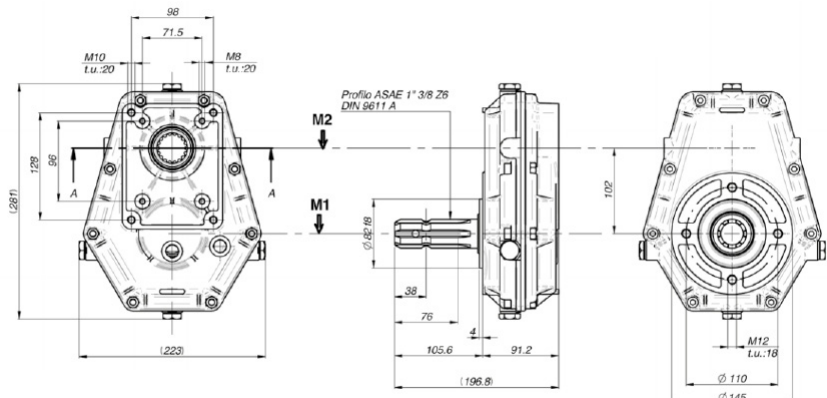
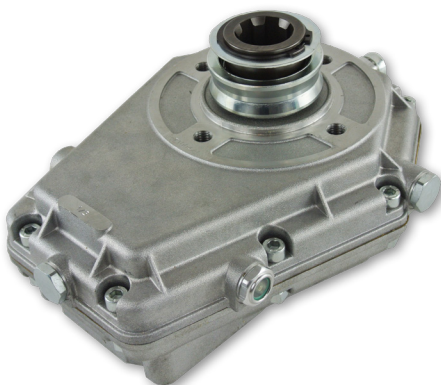


71000 Series 20kW - Gearbox

Part #	List Price \$	Ratio	Shaft	Group
71001-4		Step Up Gearbox, 3:1 ratio	Extended male shaft P.T.O 1 3/8" 6T	Group 2 & 3 DIN
71002-4		Step Up Gearbox, 3:1 ratio	Extended female shaft P.T.O 1 3/8" 6T	Group 2 & 3 DIN
71004-4		Step Up Gearbox, 3:1 ratio	Extended female shaft quick release P.T.O 1 3/8" 6T	Group 2 & 3 DIN
96100			Adaptor Plate 71000 series to SAE A mount	
96101			Adaptor Plate 71000 series to SAE B mount	
19071			Seal kit	

71000 Series 20kW - Coupling

Part #	List Price \$	Length	Teeth	Spline (DIN 5482B)	Group	Shaft Cone	Shaft Keyway	Material
10012		22 mm	18	35 x 31	Group 2 DIN	1:8 Taper	3.2mm	Steel
10014		26 mm	18	35 x 31	Group 3 DIN	1:8 Taper	4.0mm (Vivoil)	Steel
10044		22.5 mm	18	35 x 31	Group 2 DIN	1:8 Taper	4.0mm (Vivoil)	Steel
15002		48 mm	18	35 x 31	SAE B	7/8" Keyed	4.8mm / 6.4mm	Steel
35513		45 mm	18	35 x 31	SAE A	5/8" Spline 9T 16/32" DP	-	Steel
35501		35 mm	18	35 x 31	SAE B	7/8" Spline 13T 16/32" DP	-	Steel

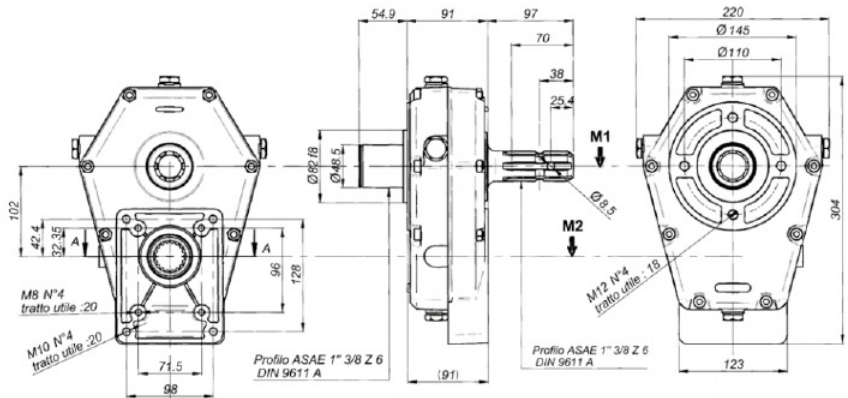


70000 Series 37kW - Gearbox

Part #	List Price \$	Ratio	Shaft	Group	Material
70012-4		Step Up Gearbox, 1:3 ratio	Male shaft P.T.O 1 3/8" 6T	Group 2 & 3 DIN	Cast iron
70013-4		Step Up Gearbox, 1:3 ratio	Female shaft P.T.O 1 3/8" 6T	Group 2 & 3 DIN	Cast iron
70015-4		Step Up Gearbox, 1:3 ratio	Female shaft quick release P.T.O 1 3/8" 6T	Group 2 & 3 DIN	Cast iron
96100		Adaptor Plate 71000 series to SAE A mount			
96101		Adaptor Plate 71000 series to SAE B mount			
19071		Seal kit			

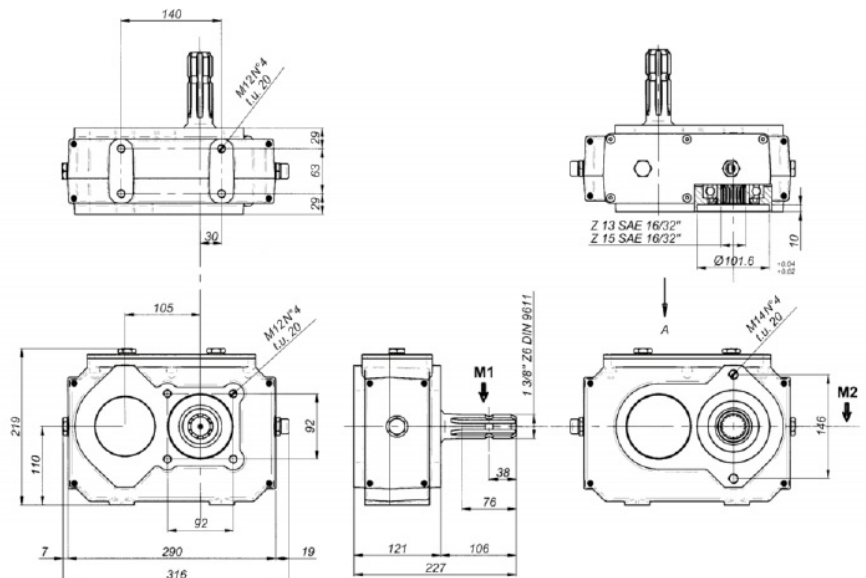
70000 Series 37kW - Coupling

Part #	List Price \$	Length	Teeth	Spline (DIN 5482B)	Group	Shaft Cone	Shaft Keyway	Material
10012		22 mm	18	35 x 31	Group 2 DIN	1:8 Taper	3.2mm	Steel
10014		26 mm	18	35 x 31	Group 3 DIN	1:8 Taper	4.0mm (Vivoil)	Steel
10044		22.5 mm	18	35 x 31	Group 2 DIN	1:8 Taper	4.0mm (Vivoil)	Steel
15002		48 mm	18	35 x 31	SAE B	7/8" Keyed	4.8mm / 6.4mm	Steel
35513		45 mm	18	35 x 31	SAE A	5/8" Spline 9T 16/32" DP	-	Steel
35501		35 mm	18	35 x 31	SAE B	7/8" Spline 13T 16/32" DP	-	Steel



97600 Series 68kW - Gearbox

Part #	List Price \$	Ratio	Shaft	Input Shaft	Group	Material
97601-7/13		Step Up Gearbox, 3.8:1 ratio	Male shaft P.T.O 1 3/8" 6T	7/8" spline 13T 16/32" DP	SAE B	Cast iron



Electro-Magnetic Clutches

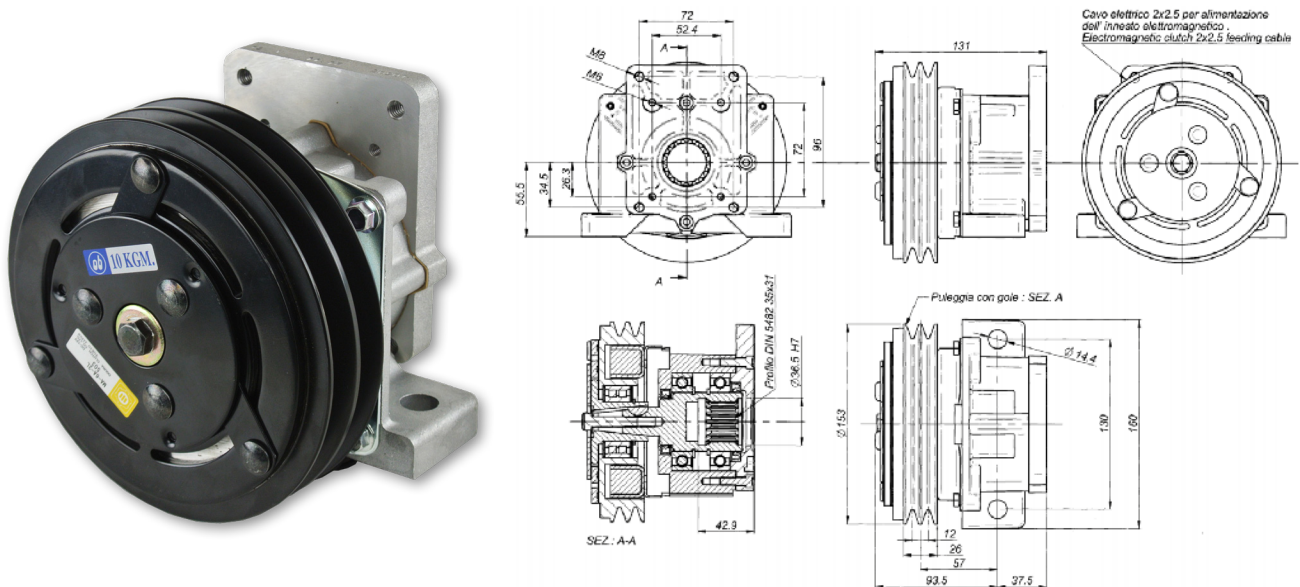
Part #	List Price \$	Voltage	Amp Draw	Maximum Speed	Pump Mount
30901		12v DC	3.33a	5000 rpm	Group 1 & 2 DIN
30903		24v DC	1.26a	5000 rpm	Group 1 & 2 DIN

Electro-Magnetic Clutch Couplings

Part #	List Price \$	Length	Teeth	Outer Profile (DIN 5482B)	Group	Shaft Cone	Shaft Keyway	Material
10010		14.5mm	18	35 x 31	Group 1 DIN	1:8 Taper	2.4mm	Steel
10012		22.0mm	18	35 x 31	Group 2 DIN	1:8 Taper	3.17mm	Steel
10044		22.5mm	18	35 x 31	Group 2 DIN	1:8 Taper	4mm (Vivoil)	Steel
10014		26.0mm	18	35 x 31	Group 3 DIN	1:8 Taper	4mm	Steel

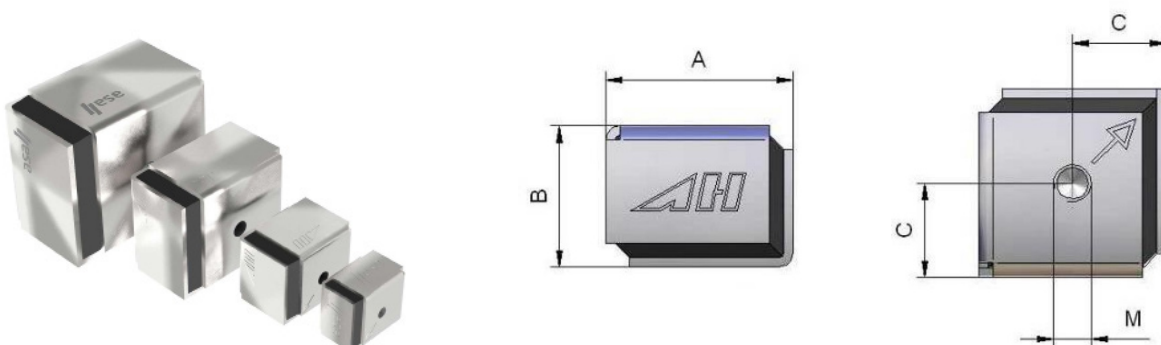
Torque Settings

Nominal	Static	Dynamic					
		500 rpm	1000 rpm	1500 rpm	2000 rpm	2500 rpm	3000 rpm
7.8 daNm	12.5 daNm	8.5 daNm	7.0 daNm	4.2 daNm	3.5 daNm	2.7 daNm	2.5 daNm



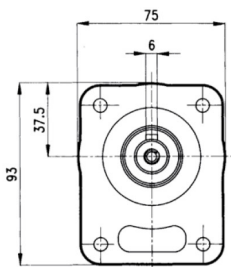
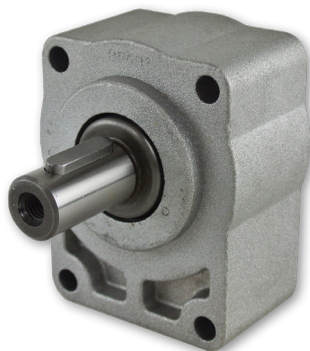
Rubber Vibration Absorbers

Part #	List Price \$	Description	Material	Weight	Dimensions mm			
					M	A	B	C
MDGQ403008I1K		40x40x30 M8	Zinc coated steel & natural rubber	0.127kg	M8 x 10	40	30	20
MDGQ504510I1K		50x50x45 M10	Zinc coated steel & natural rubber	0.280kg	M10 x 12	50	45	25
MDGQ755512I1K		75x75x55 M12	Zinc coated steel & natural rubber	0.659kg	M12 x 15	75	55	37.5
MDGQ1007516I1K		100x100x75 M16	Zinc coated steel & natural rubber	1.920kg	M16 x 16.5	100	75	50

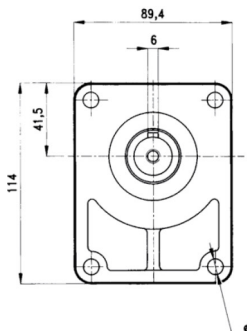
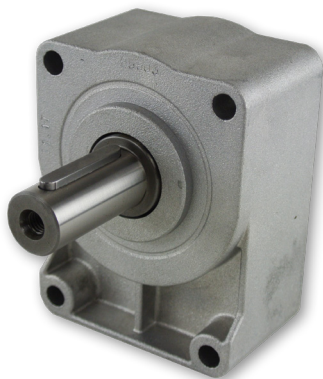
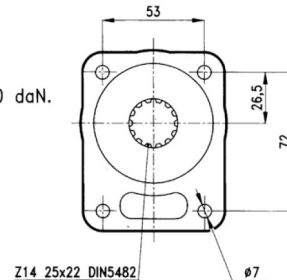
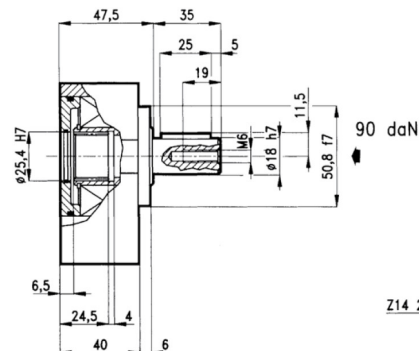


Bearing Mounts

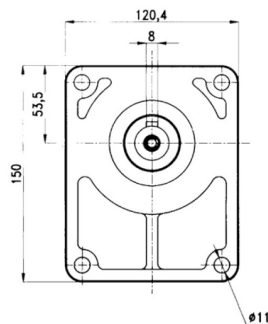
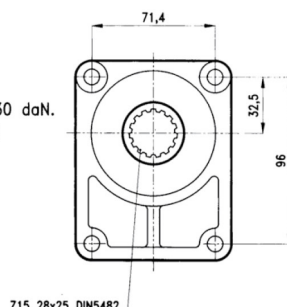
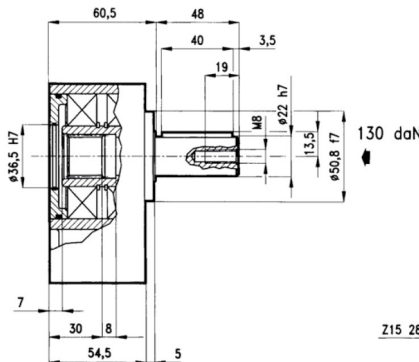
Part #	List Price \$	Splined Coupling (DIN 5482B)	Pump Group	Shaft Ø	Shaft Keyway	Shaft Load Radial Maximum	Material
25601		14T 25x22	Group 1	18mm	4.0mm	100 daNm	Aluminium
25603		15T 28x25	Group 2	22mm	6.0mm	285 daNm	Aluminium
25604-4		18T 35x31	Group 3	24mm	8.0mm	318 da Nm	Aluminium



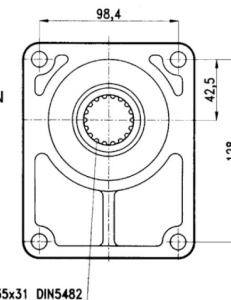
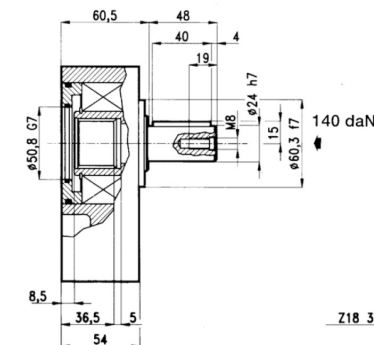
25601



25603



25604-4



Bearing Mount Couplings

Part #	List Price \$	Length	Teeth	Spline (DIN 5482B)	Group	Shaft Cone	Shaft Keyway	Material
10003		14.5 mm	14	25 x 22	Group 1 DIN	1:8 Taper	2.4mm	Steel
10033		22.5 mm	14	25 x 22	Group 2 DIN	1:8 Taper	3.0mm	Steel
10007		22 mm	15	28 x 25	Group 2 DIN	1:8 Taper	3.2mm	Steel
10035		22.5 mm	15	28 x 25	Group 2 DIN	1:8 Taper	4.0mm (Vivoil)	Steel
10014		26 mm	18	35 x 31	Group 3 DIN	1:8 Taper	4.0mm	Steel

Hydraulics Network



1800-OILSOL
1800-645765

<https://oilsolutions.com.au/>

sales@oilsolutions.com.au

MELBOURNE

VICTORIA

- 📍 23 Quinlan Road, Epping, VIC 3076
- ✉️ sales@hydraulicsnetwork.com.au
- ☎️ 03 9399 8957

BRISBANE

QUEENSLAND

- 📍 29 Annie Street, Coopers Plains, QLD 4108
- ✉️ salesqld@hydraulicsnetwork.com.au
- ☎️ 07 3277 5969

www.hydraulicsnetwork.com.au

AUSTRALIAN-OWNED
INDEPENDENT HYDRAULICS WHOLESALER