



MTE Hydraulics, Inc.
Rockford, IL 61109
Tel: 815-397-4701

Website www.mtehydraulics.com

[Main Menu](#)

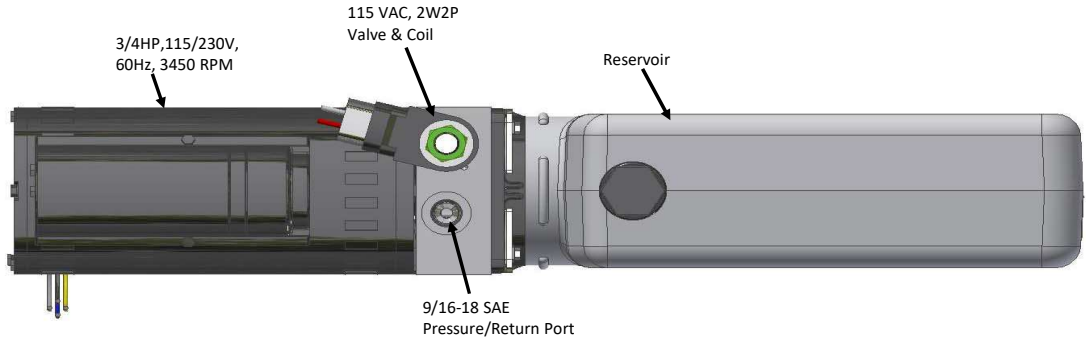
100 Series AC Power Up / Gravity Down Unit

Description

Power Up / Gravity Down Unit
Internal Check Valve
2W2P Normally Closed Valve
Relief Valve
9/16-18 SAE Ports.
Horizontal or Vertical Mounting

Available Options

PCFC valve
Manual Lowering



Ordering Information

Fixed Displ Pump Size	
_____	101-(.019 in ³ /rev)
_____	101-(.018 in ³ rev)
_____	102-(.025 in ³ rev)
_____	103-(.042 in ³ rev)

(Mark Pump Size with X)
Consult factory for additional

Tank Sizes	
_____	.42 Quart
_____	.79 Quart
_____	1.2 Quart
_____	1.6 Quart
_____	2 Quart

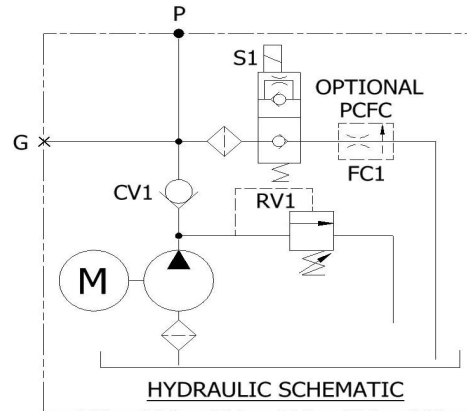
(Mark Tank Size with X)
Contact factory for other tank sizes available

Tank Orientation	
_____	Horizontal
_____	Vertical

(Mark orientation with X)

Tank Style	
_____	Plastic
_____	Steel

(Mark Tank Option with X)



Application Information

Are there Drawings/Schematics available _____

Operating Pressure: _____ time on _____ time off _____

RV Pressure: _____ time on _____ time off _____

Type of hydraulic fluid: _____ Fluid conditions: _____

Envelope restrictions: _____

Mounting requirements _____

Cylinder information: Stroke _____ Rod _____ Bore _____

No. of units required: _____ Mo. Yr Prototype required

Target Price: _____ Target Customer _____

Additional Information _____
(Coil Type, Fittings, PCFC, Etc.)



1800-OILSOL
1800-645765

<https://oilsolutions.com.au/>

sales@oilsolutions.com.au