



MTE Hydraulics, Inc.  
 Rockford, IL 61109  
 Tel: 815-397-4701

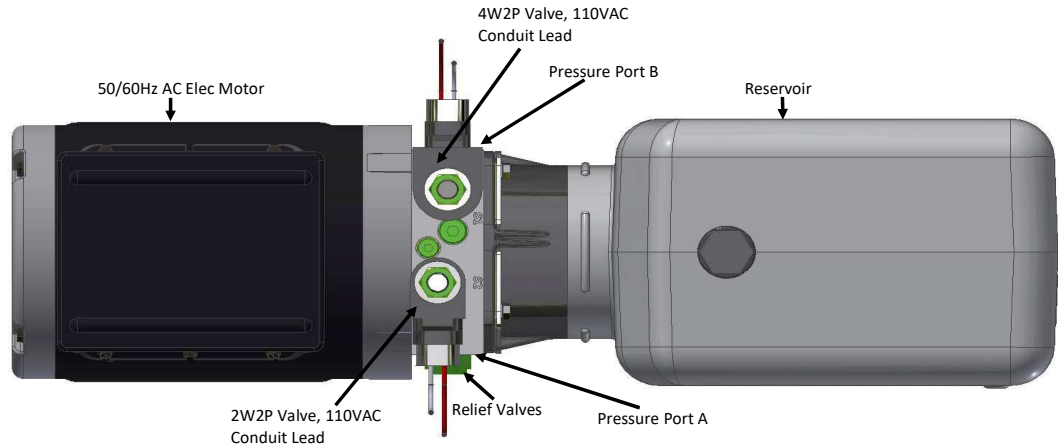
Website [www.mtehydraulics.com](http://www.mtehydraulics.com)

[Main Menu](#)

## Power Up/Power Down AC Unit

### Description

- Internal Check Valve
- (2) Relief Valve
- (2) 9/16-18 SAE Ports.
- Horizontal or Vertical Mounting
- 1HP AC Elec Motor
- 4W2P Valve
- 2W2P Valve
- PCFC



### Ordering Information

Fixed Displ Pump Size
201- (.067 in <sup>3</sup> /rev)
202- (.110 in <sup>3</sup> rev)
203- (.150 in <sup>3</sup> rev)
204- (.191 in <sup>3</sup> rev)

(Mark Pump Size with X)  
 Consult factory for additional pumps sizes not shown.

Tank Orientation
Horizontal
Vertical

(Mark orientation with X)

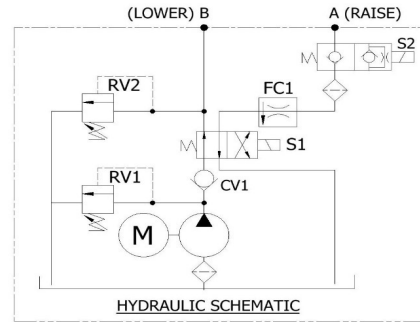
Motor Options
1HP, 1PH, 115/208-230V
2HP, 1PH, 208-230V
2HP, 3PH, 208-230V

(Mark Motor Option)

Tank Style
Plastic
Steel

(Mark Tank Option with X)

Tank Sizes
1 Gallon
1.25 Gallon
1.5 gallon
2 gallon
3.5 gallon



### Application Information

Are there Drawings/Schematics available \_\_\_\_\_

Contact factory for other tank sizes available

Operating Pressure: \_\_\_\_\_ time on \_\_\_\_\_ time off \_\_\_\_\_

RV1 Pressure: \_\_\_\_\_ time on \_\_\_\_\_ time off \_\_\_\_\_

RV2 Setting \_\_\_\_\_

Type of hydraulic fluid: \_\_\_\_\_ Fluid conditions: \_\_\_\_\_

Envelope restrictions: \_\_\_\_\_

Mounting requirements \_\_\_\_\_

Cylinder information: Stroke \_\_\_\_\_ Rod \_\_\_\_\_ Bore \_\_\_\_\_

No. of units required: \_\_\_\_\_  Mo.  Yr  Prototype required

Target Price: \_\_\_\_\_ Target Customer \_\_\_\_\_

Additional Information \_\_\_\_\_  
 (Coil Type, Fittings, PCFC, Etc.) \_\_\_\_\_



1800-OILSOL  
 1800-645765

<https://oilsolutions.com.au/>

[sales@oilsolutions.com.au](mailto:sales@oilsolutions.com.au)